

Controlled Drum Pouring with Your Hoist or Crane

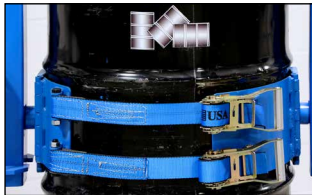
Kontrol-Karriers with Power Drum Tilt Control

- Quick, sure below hook drum handling by one person with your monorail, crane, or chain block
- Improve safety and productivity
- Efficient controlled high level pouring
- Capacity: **1500 Lb. (680 kg) full drum**
800 Lb. (363 kg) half-full drum
Unbalanced, bottom-heavy, partially full drum with shifting load is harder to tilt than a full drum.

Morse power-tilt Kontrol-Karriers for below-hook applications provide controlled drum tilt of 360° in both directions. Fully invert drum in just 15 seconds. Manipulate drum tilt angle above your reach.

All Morse below-hook drum lifters comply with ANSI/ASME B30.20 standard for mechanical, below-the-hook lifting devices as it applies to rated load markings and unit identification, minimum design safety factor of 3, based on yield strength, for load bearing structural components. Welding performed by certified welders who have passed the ANSI/AWS D14.1 welding qualification test.

Drum Holders



Web Straps and Ratchets



3-Piece Drum Holder

Web strap and ratchet drum holder is sized to handle your 22.5" (57 cm) diameter 55-gallon (210 liter) steel drum. Use web straps mechanisms to secure around the drum.

Accepts options to handle various smaller diameter drums or a 55-gallon (210 liter) plastic drum (side 2).

Models with 3-Piece Drum Holder secure drum with two hinged metal bands and toggle clamp. 3-Piece Drum Holder is sized for a 55-gallon (210 liter) 22.5" (57 cm) diameter steel drum. These models accept a Diameter Adapter 55/30-19GR for a 19" (48 cm) diameter 30-gallon (114 liter) steel drum.



AC powered models have 2-button pendant on 7 foot (2.1 m) cord.

Air powered models have a 3-position control valve on a 6 foot (183 cm) hose. Air motor requires air supply at 20 psi at a rate of 22 scfm.

Steps to use Power Tilt Kontrol-Karrier

1. Attach your hoist hook to lifting point of Kontrol-Karrier and move to upright drum
2. Mate Kontrol-Karrier's drum holder to middle of drum and secure between drum ribs... No tools needed
3. Lift drum and move to pouring station
4. Use controls to turn drum 360° in either direction, even while hoisted above your reach

Power Tilt Kontrol-Karriers

Ship fully assembled packaged in wooden crate.



Custom Stainless Steel Model

Model #	Description	Drum Holder	Full Load Amp Draw
195A-1-115	AC Power-Tilt Kontrol-Karrier, 1/3 HP/1 phase/115V motor	2 Web Straps & Ratchets	6.0
195A-1-220-50	AC Power-Tilt Kontrol-Karrier, 1/3 HP/1 phase/220V 50Hz motor	2 Web Straps & Ratchets	3.2
195A-3-230	AC Power-Tilt Kontrol-Karrier, 1/3 HP/3 phase/230V motor	2 Web Straps & Ratchets	1.6
195A-3-460	AC Power-Tilt Kontrol-Karrier, 1/3 HP/3 phase/460V motor	2 Web Straps & Ratchets	0.8
195G-1-115	AC Power-Tilt Kontrol-Karrier, 1/3 HP/1 phase/115V motor	3-Piece Drum Holder	6.0
195G-3-230	AC Power-Tilt Kontrol-Karrier, 1/3 HP/3 phase/230V motor	3-Piece Drum Holder	1.6
195G-3-460	AC Power-Tilt Kontrol-Karrier, 1/3 HP/3 phase/460V motor	3-Piece Drum Holder	0.8
195A-A	Air motor Power-Tilt Kontrol-Karrier	2 Web Straps & Ratchets	Air Motor
195AM-A	Air Power Control, spark resistant parts	Cinch Chain and Ratchet	
195G-A	Air motor Power-Tilt Kontrol-Karrier	3-Piece Drum Holder	
195GM-A	Air Power Control, spark resistant parts	3-Piece Drum Holder	



morsedrum.com



service@morsedrum.com



(315) 437-8475

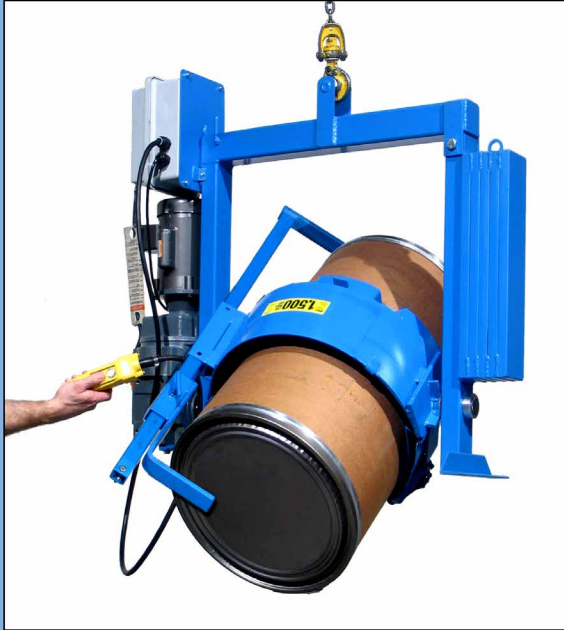


103 Kuhn Rd.
Syracuse, NY, 13208 USA

Options and Accessories

Bracket Assembly Kit # 4556-P to Prevent Drum from Slipping

Install the Bracket Assembly required to prevent a 55-gallon (210 liter) plastic drum from slipping. The Bracket is also recommended to more securely hold a fiber drum. Bracket adjusts for 31" to 37" (78.7 to 94 cm) tall drum.

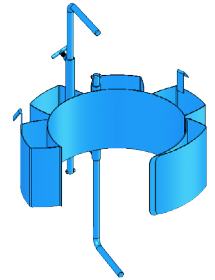


Model 195A-1-115 shown with Bracket Assembly Kit # 4556-P and Model 55/30-19 Diameter Adapter for 30-gallon (114 liter) drum

Diameter Adapters for 195A Series ONLY

Insert correct size Diameter Adapter to handle a smaller drum. Simply lift the Diameter Adapter out of the drum holder to return to handling a 55-gallon (210 liter) drum.

Diameter Adapters for 17.5" (44.5 cm) diameter or smaller drum have integrated brackets at top and bottom of the drum. Adjust brackets to securely hold a drum up to 38" (96.5 cm) tall.



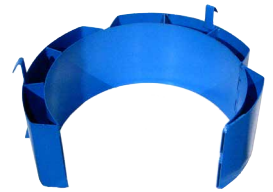
Model 55/30-16 for 15.5" to 16" diameter

Measure Drum Between Ribs for Correct Size Diameter Adapter



Adapters Fit Drum Outside Diameter Between Ribs

Measure outside circumference half-way down drum. Then divide by pi (3.14).



Model 55/30-19 for 18.5" to 19" diameter

Diameter Adapter for 195G Series with 3-Piece Drum Holder

Model 55/30-19GR Diameter Adapter only fits models with 3-Piece Drum Holder. Quickly and easily insert to handle 19" (48.3 cm) diameter 30-gallon (114 liter) steel drum. Simply lift it back out to handle a 55-gallon (210 liter) steel drum.



Model 55/30-19GR

MADE IN USA



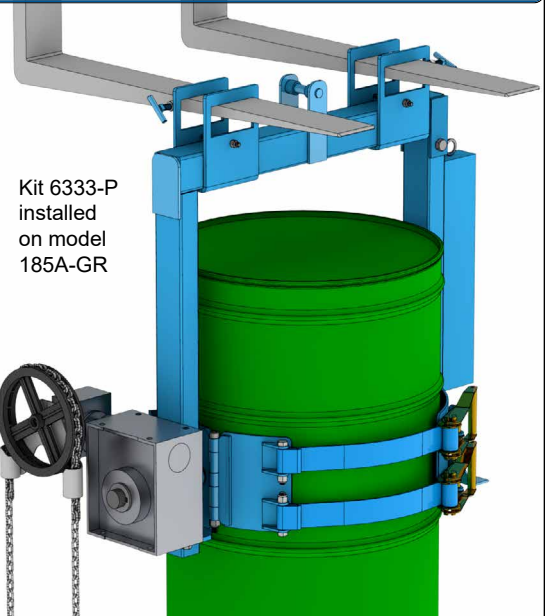
Asymmetric Drum Cone

Attach an Asymmetric Drum Cone with slide gate valve to your drum to start and stop material flow as needed. Also available with iris valve, or with flange to attach valve of your choice. Asymmetric Drum Cones can be used with standard Kontrol-Karriers.

Fork Pocket Kit

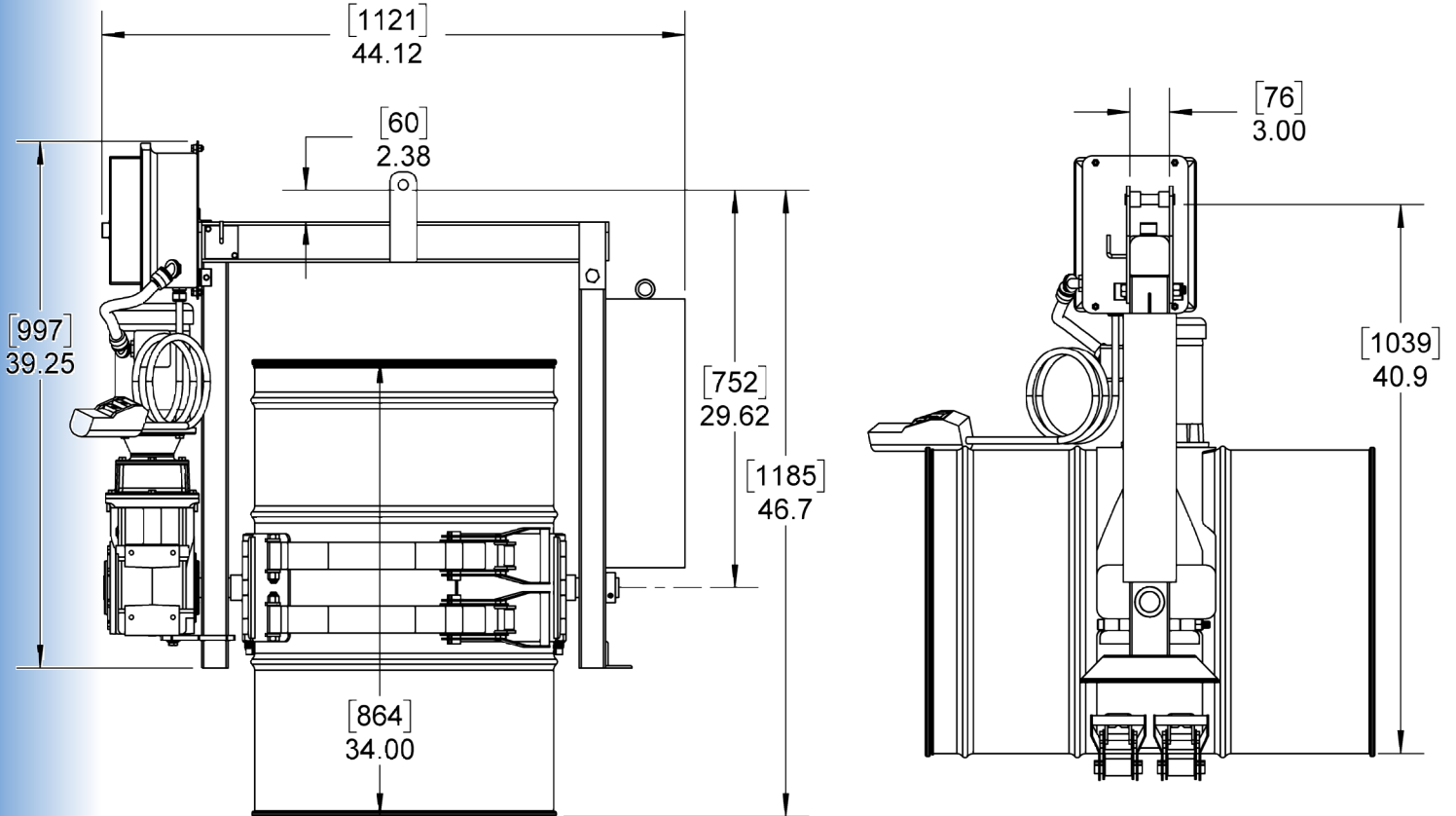
Fork Pocket Kit # 6333-P

Add fork pockets to below-hook drum handler. Install on model 185A-GR, 185XGR or on 195 Series. **NOT** for model with spark resistant parts.



Kit 6333-P installed on model 185A-GR

Dimensions



MADE
 IN
 USA