

Lift, Move, WEIGH and Palletize upright drum



Built-In Scale



Scale indicator displays drum weight

V-shaped base to serve pallet corners or straddle 41" (104 cm) width.

Models with Battery, AIR or plug-in Electric Power Drum Lift.

Capacity: 800 Lb. (363 kg)

MADE
IN
USA

- Efficiently move upright drum onto and off pallets and floor
- Handle virtually any RIMMED steel, fiber or plastic drum up to 800 Lb. (363 kg)
- Drums may be tight head or removable top securely clamped in place
- Handle drums of various diameters
- Requires drum at least 26" (66 cm) tall
- Completely mechanical automatic drum grip
- Requires 75 Lb. (34 kg) minimum drum weight to activate jaws
- Raise drum up to 19" (48.3 cm) above the floor.
 - Hydraulic lift cylinder has velocity fuse to provide full line shut-off in the event of line failure.
 - Air powered models have pneumatic cylinder
- Choose ergonomic Battery, Air or plug-in Electric power lift



Jaws grip the upper rim of a plastic, steel or fiber drum weighing up to 800 Lb. (363 kg).

Grab, lift and move drum in minimum time with this efficient drum handler. Drum gripping jaws in "head" provide automatic hold to carry upright drum.

Gripping action is completely mechanical and automatic. Start with "head" containing the jaws below the level of drum rim. Then simply press against the drum and raise to engage the grip and lift the drum. Move your drum to the desired location.

The jaws release as weight is removed from jaws when drum is set down on floor or pallet.

Models available with spark resistant parts.

The digital indicator keeps you informed of drum weight. Scales are simple to use and to read. Touch pads include numbers for tare entry. Battery saving "sleep" mode turns indicator off when scale is not in use.

Load cell accurately senses drum weight. Display weight to 0.1 Lb. (or set to display metric units). Accuracy of +/-0.2 %. Scale has NO data storage capability. Maximum operating temperature is 104° F (40° C).

Scale components are installed and calibrated before leaving Morse factory. However, rigors of transport may change scale calibration. To assure proper accuracy, user should employ local scale service personnel to check function and calibration of scale. Cost of on-site calibration is not included in selling price.

N-Type Scale

Economical general purpose instrument for use in a variety of weighing applications. NOT for use in hazardous areas. Powered by five ordinary alkaline D-cell batteries.



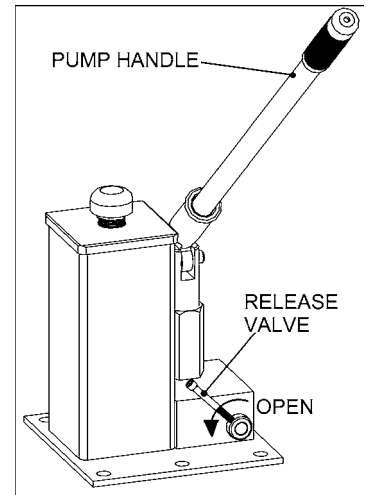
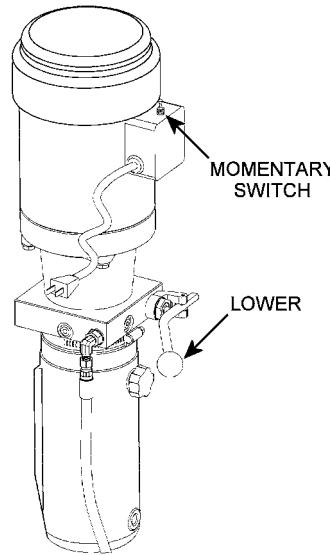
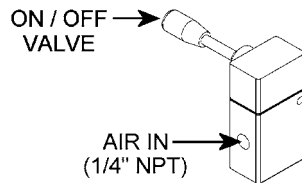
T-Type Scale

Intrinsically safe, ultra low power intensity (ULPI) scale indicator for use in many hazardous areas, approved for all classes, groups and divisions of N.E.C. hazardous environment classifications.

Comes with battery pack and 115V 60Hz charger. For 220V/50Hz applications, battery charger requires step down transformer - order part number 93740-P.

Power Lift Models provide more ergonomic drum lifting

Manual Lift Models



Battery Power Lift Controls
Model 825H-N-125

Self contained battery power-lift with 2-button pendant to raise and lower drum. Includes 12V deep cycle battery and separate charger.

Includes group size 27MDP 12V Deep Cycle Battery.

Air Power Lift Controls
Model 825H-N-124

Use on / off valve to raise and lower drum.

Plant Air Pressure Required:
80 PSI for 800 Lb. (363 kg) drum
60 PSI for 600 Lb. (272 kg) drum
40 PSI for 400 Lb. (181 kg) drum

Electric Power Lift Controls
Model 825H-N-120

Use switch to raise drum. Lower drum with manual release valve.

Hand Pump Lift Control
Models 825H-N

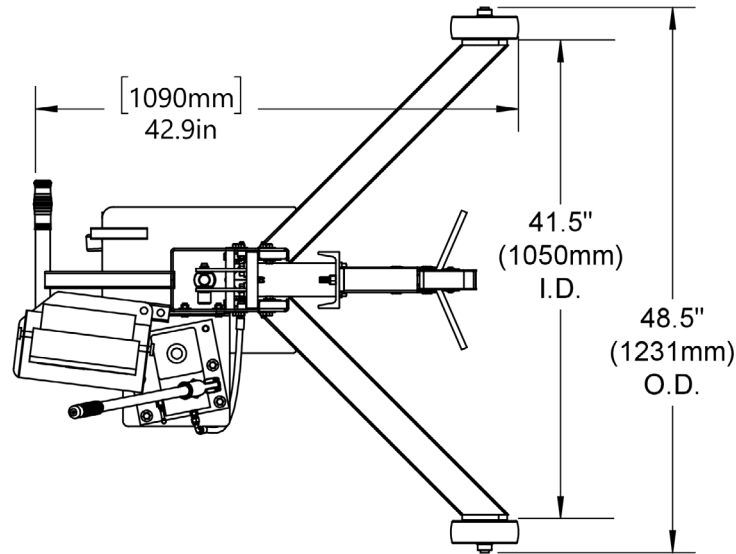
It takes 27 pumps of the hand pump to lift a drum to maximum height.

Model #	Scale Type	Features	Motor Type	Motor Control
825H-N	N	Hand Pump Lift	--	--
825H-N-120	N	AC Power Lift	1PH/115V/60Hz, TEFC	Switch, cord and plug
825H-N-124	N	Air Power Lift	Air Valve	On / Off valve
825H-N-125	N	Battery Power Lift *	12V DC *	Built-in
825H-T	T	Hand Pump Lift	--	--
825H-T-124	T	Air Power Lift	Air Valve	On / Off valve

* 12V DC Power Lift includes 12V deep cycle battery, and 100/220V 50/60Hz AC charger.

Dimensions

- Overall width: 48.5" (123.2 cm)
- Overall length: 43" (109.2 cm)
- Turning radius: 53" (135 cm)
- Legs are 9" (22.9 cm) high and reach 20.75" (52.7 cm) in front of upright stanchion
- (2) 4" (10.2 cm) swivel casters at back
- (2) 6" (15.2 cm) wheels at front
- NOTE: A 55-gallon (210 liter) steel drum extends 11.75" (29 cm) beyond the front wheels



**LIFT CYLINDER HAS
 24" (61 cm) STROKE**

