

5-Gallon Pail Handlers with Battery Power Lift

- **Pail Handlers with BATTERY POWER Lift**
- Ergonomic solutions to handle 5-gallon (20L) pail
- Increase efficiency and improve worker safety
- Prevent repetitive motion injuries
- Easily maneuverable, compact design
- Reduce chance of worker's compensation claims

PailPRO™ Pail Handlers provide ergonomic advantage to reduce risks of repetitive motion injury from lifting heavy 5-gallon (20L) pails. Commonly used in manufacturing, food, pharmaceutical, processing, chemical, paint and coating industries.

Secure pail in holder with web strap. Then push toggle switch to elevate pail. Turn pail with hand wheel. Lock pail in pouring position. Dispense up to 5' (152 cm) high. Set floor lock to prevent Pail Handler from rolling.

Lightweight and extremely manageable. Easily maneuver through tight spaces and standard doorways. Enclosed moving parts avoid pinch points.

- Lift, tilt and pour 5-gallon (20 liter) pail with ease
 - Battery Power pail lift and lower
 - Hand wheel tilt control with 1:1 tilt ratio
 - Lock at various angles to dispense
- Handle 11" to 12" (28 to 30.5 cm) diameter pail
- Dispense up to **5 feet (152 cm)** high
- Turn pail 360° in either direction

**Model 83-125
Pour Between Legs**

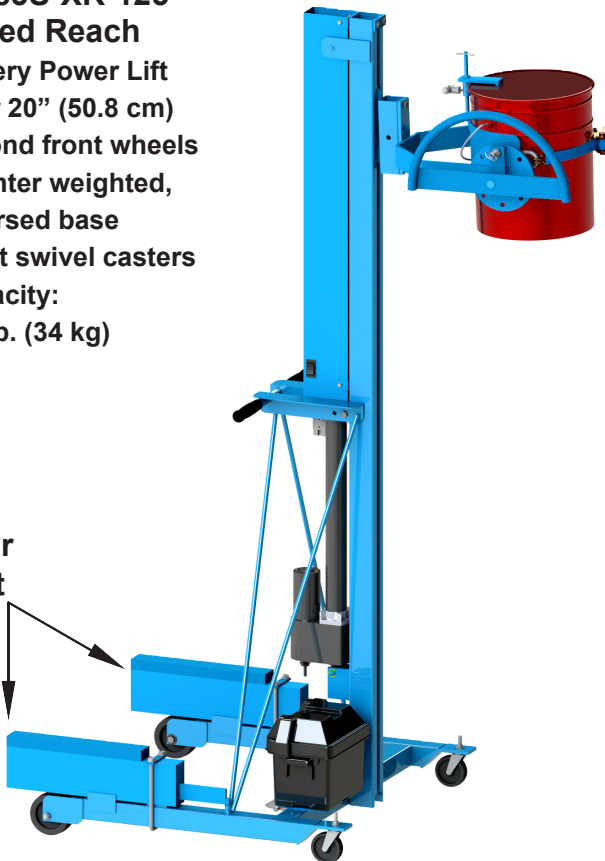
- **Battery Power Lift**
- **Rear swivel casters**
- **Capacity:
100 Lb. (45 kg)**



**Model 83S-XR-125
Extended Reach**

- **Battery Power Lift**
- **Pour 20" (50.8 cm) beyond front wheels**
- **Counter weighted, reversed base**
- **Front swivel casters**
- **Capacity:
75 Lb. (34 kg)**

Counter Weight



Counter Weight Kit 3930-P (NOT shown) for CUSTOMER to convert EXISTING model 83-125 to model 83S-XR-125.

IMPORTANT: Reduces capacity to 75 Lb. (34 kg).

MADE IN USA

Steps to Use Morse Pail Handlers



1. Roll pail handler to your pail with holder in open position to engage under pail "rib".
2. Secure pail in holder: Drape web strap around pail and engage web strap hook in eye. Use ratchet to tighten web strap around pail.
3. Adjust height of rim catch to pail top and tighten in place to prevent pail from slipping while pouring.
4. Press toggle switch on mast upward to raise pail slightly above floor. Then move to pouring station.
5. Set floor lock to prevent pail handler from moving during dispensing operation.

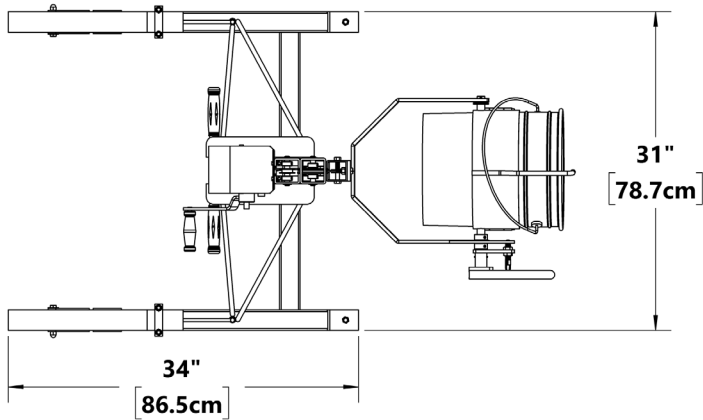


6. Press toggle switch on mast upward to raise pail to pouring height.
7. Disengage plunger and turn hand wheel to rotate pail and dispense.
8. Lock pail dispensing at various angles with plunger.
9. When pouring is complete, return pail to upright position. Engage plunger to lock pail upright. Press toggle switch on mast downward to lower pail to floor.
10. Release floor lock to move away from pouring station.



11. To remove pail from holder release web strap and open can holder.

**Dimensions of
Extended Reach
Model 83S-XR-125**
Capacity: 75 Lb. (34 kg)



**Dimensions of
Model 83-125**
Capacity: 100 Lb. (45 kg)

