

MORSE 

900 SERIES

SPECIFICATIONS SHEET



<PILOT> DRUM POURERS

*Power-Propelled Drum Handlers
Lift, Tilt, Pour.*

Power-Propelled < PILOT > Drum Pourer

Morse model 900 and 905 <PILOT> Drum Pourers feature intuitive, industry-standard throttle, steering and drum positioning controls, so you can put them online quickly. The 900 < PILOT > Drum Pourer is designed to lift, transport and pour a drum weighing up to 1500 Lb. (680 kg) at 25 ft/min (5 cm/sec). *Scale-equipped model 905 has 800 Lb. (363 kg) capacity.

Morse 900 Power-Propelled < PILOT > Drum Pourer

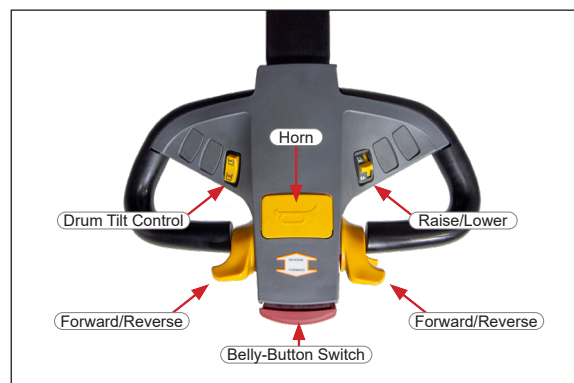
- Dispense a 1500 Lb. (680 kg) drum up to 10' (3 m) high, and 7.7" (19.6 cm) beyond the straddle legs
- Power-Propelled Walk-Behind
- Powered Drum Lift and Rotation 360° in either direction
- Features the **MORCINCH™** Drum Handling System for steel, plastic or fiber drums

Morse 905 Scale-Equipped Power-Propelled < PILOT > Drum Pourer

- Adds the ability to weigh an 800 Lb. (363 kg) drum while you pour



Familiar Controls for propulsion and steering. Raise and Lower Buttons incorporated in handle.



Quick-disconnect battery plug and dead-man brake safety features.



900 SERIES

Power-Propelled <PILOT> Drum Pourer

SPECIFICATIONS SHEET

Control the travel speed with ergonomic twist grip or thumb control. Maximum travel speed is 3.0 mph (4.8 km/hr) or 4.4 ft/sec (1.3 m/sec) with a 1500 Lb. (680 kg) drum.* Maneuver in narrow aisles with a turn radius of just 58" (147 cm) on smooth rubber rear drive wheel, and polyurethane front wheels.

- Traveling on a slope: The Pilot series is rated for operation up to a 5% grade when traveling with the carriage and attachment down below the high speed cutoff height.
- Adjust straddle I.D. from 42" to 50" (106.7 to 127 cm), adjustable in 4" increments to work with various size pallets.
- Moving steering control handle to top and bottom 15° of handle arc actuates brake proportional to handle movement, allowing operator complete control of braking by "feathering" for accurate payload positioning through full emergency stop. When released, the handle returns to upright position and applies the brake.
- Built-in safety systems include a proven "belly-button" switch, which helps prevent an operator from being pinned between the < PILOT > and any other object. Upon body contact, the switch activates low speed in the opposite direction.
- "Dead-man" braking occurs when spring loaded control handle is released, turning off electrical power and applying the brakes.
- The internally mounted 24V battery has a built-in "smart" charger to provide amount of charge necessary. Simply plug into a standard 110V AC outlet with the included cord. The batteries can be fully charged from empty in about 8 hours.
- Note: Maximum travel speed with a drum is 3 mph with maximum lift speed of 25 ft/min. Lift & travel speed will increase with lighter loads.



Model 900 Drum Pourer

Lift, transport and dispense a drum up to 10 feet (3 m) high! Fully invert your drum in just 8 seconds with familiar ergonomic controls. Capacity is 1500 Lb. (680 kg).



Model 905 Scale-Equipped Drum Pourer

Adds the ability to weigh while you pour, so you can dispense just the amount you need. Capacity is 800 Lb. (363 kg).

Lift, Transport and Pour a Drum up to 10 feet (3 m) high



Standard MORCINCH Drum Holder has Cinch Chain and Ratchet with flexible chain cover



OPTION 5115i-P Web Strap & Ratchet

MORCINCH DRUM HANDLING SYSTEM

Morse <PILOT> Drum Pourers feature the MORCINCH™ Drum Handling System Manual-grip drum holder automatically adjusts for 22" to 23.5" (56 to 59.7 cm) diameter drum.

MODEL	DESCRIPTION	CAPACITY	MAXIMUM LIFT HEIGHT	DOMESTIC SHIP WEIGHT	DOMESTIC SHIP DIMENSIONS
900	< PILOT > Power-Propelled Drum Pourer	1500 Lb. (680 kg)	10' (3 m)	3230 Lb. (1012 kg)	L91" x W58" H91" (231 x 147 x 231 cm)
905	< PILOT > Scale-Equipped Power-Propelled Drum Pourer	800 Lb. (363 kg)	10' (3 m)	3270 Lb. (1030 kg)	L91" x W58" H91" (231 x 147 x 231 cm)

ACCESSORIES

55/30 Series Diameter Adapters Smaller than 22" (56 cm) Drum

To handle a smaller drum, insert the correct size Diameter Adapter into the standard drum holder.

Visit MorseDrum.com to find Diameter Adapter information.

ONLY Diameter Adapters for drum with 17.5" (44.5 cm) diameter or smaller have integrated brackets to prevent drum slipping length-ways.

NOTE: For 30-gallon (114 Liter) plastic drum, insert Diameter Adapter; and install Bracket or Top Rim Clamp to prevent drum slipping.

IMPORTANT: To prevent 30 to 55 gallon (114 to 210 L) size plastic drum from slipping, you **MUST** install either Top Rim Clamp Kit or Bracket Assembly Kit.

1. Bracket Assembly Kit # 4556-P is required to handle a **rimless** plastic drum (figure 2.1), and is also recommended for a fiber drum. The Bracket adjusts for a 31" to 39" (79 to 99 cm) tall drum. You can also handle a rimmed drum with the Bracket installed.
2. Top Rim Clamp Kit # 4560B-P to handle a **rimmed** plastic drum (figure 2.2). Install the Top Rim Clamp Kit to handle a **rimmed** plastic, steel or fiber drum with suitable top rim.

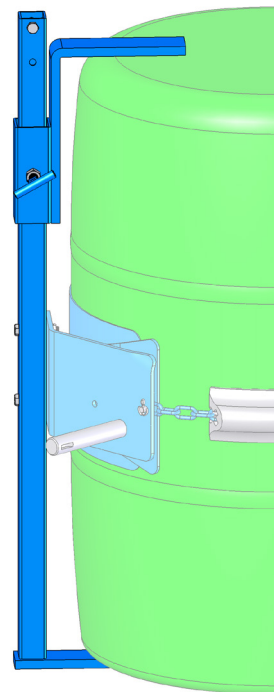
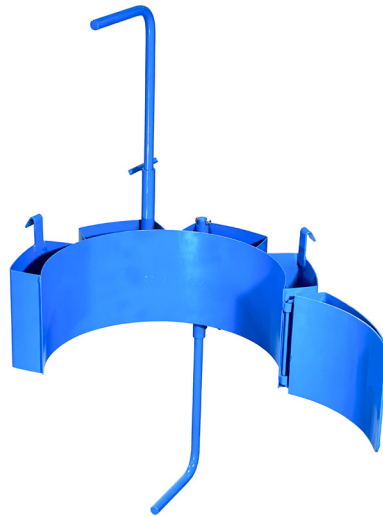


Figure 2.1
KIT # 4556-P
Install Bracket Assembly Kit to handle RIMLESS or RIMMED plastic drum

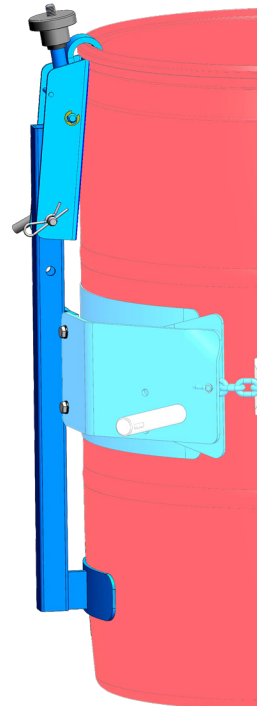
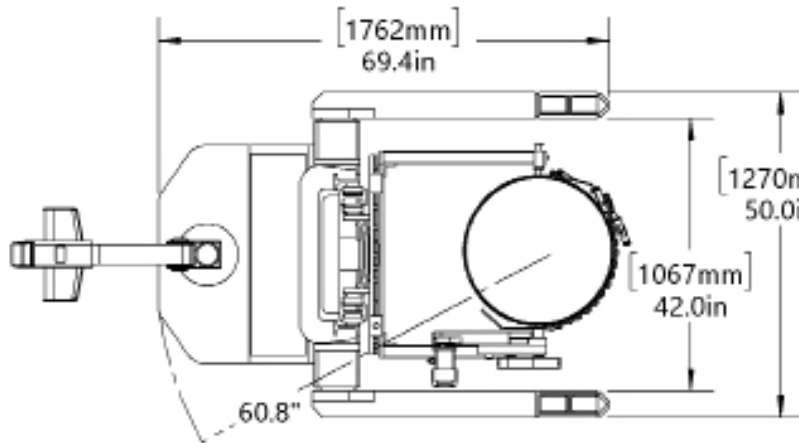


Figure 2.2
KIT # 4560B-P
Install Top Rim Clamp Kit to handle RIMMED plastic drum

Dimensions of 900 <PILOT> Power-Propelled Drum Pourer

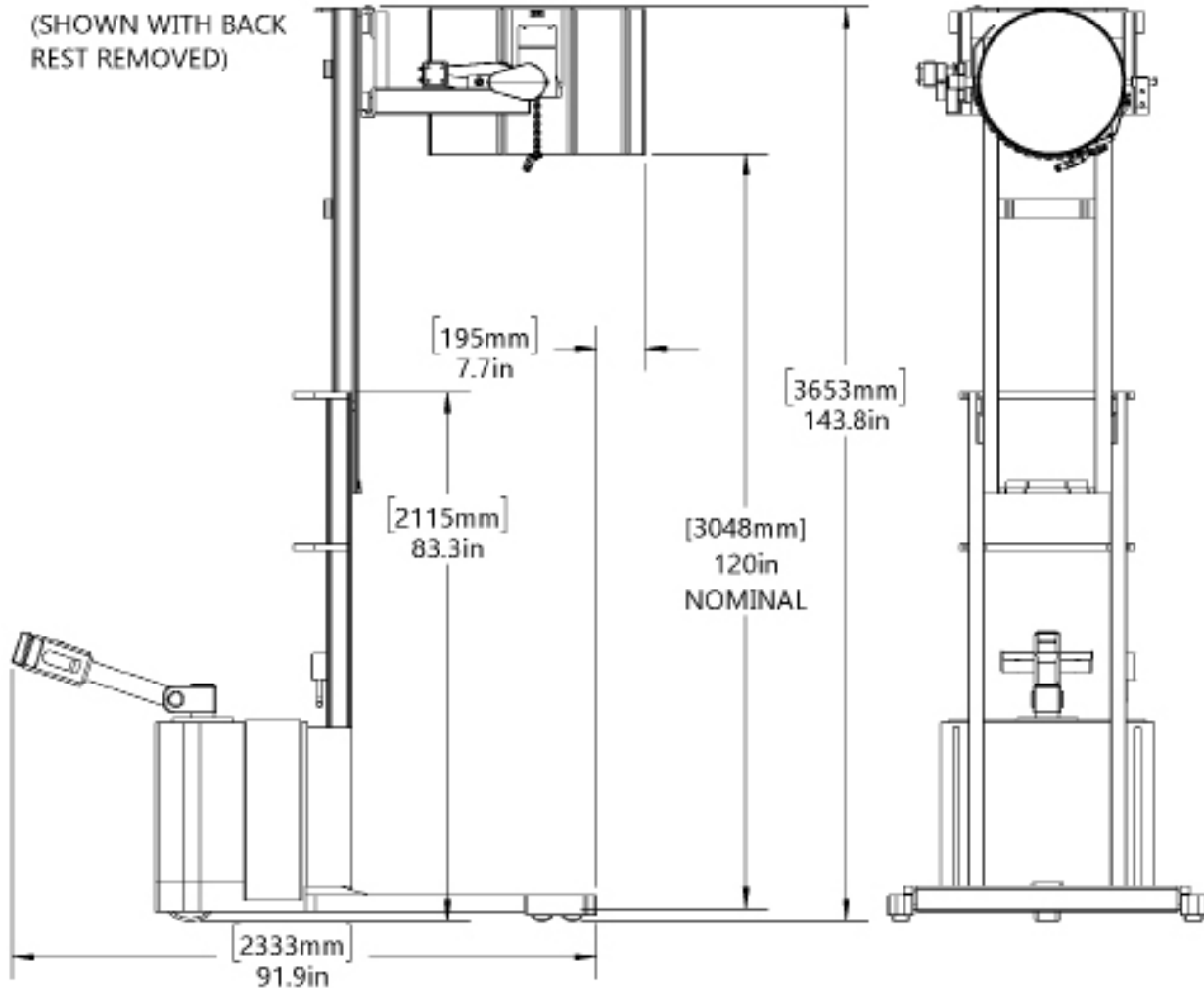
With Drum Raised To Maximum Dispensing Height

Net Weight: 2632 Lb. (1194 kg)
 Capacity: 1500 Lb. (680 kg) Full Drum
 800 Lb. (363 kg) Half-Full Drum *



(LEGS CAN BE ADJUSTED TO 46.0 OR 50.0 INSIDE)

(SHOWN WITH BACK REST REMOVED)

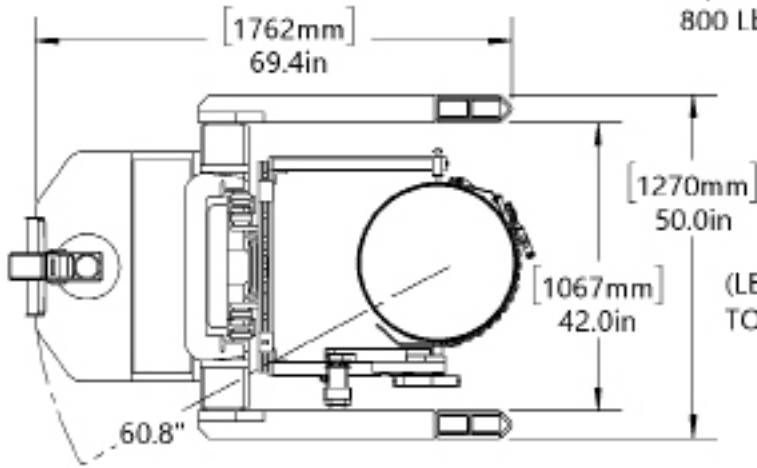


* Half-full rating is an indication of capacity for tilting unbalanced, bottom-heavy drum. Partially full drum with unbalanced and shifting load is harder to tilt than full drum.

Dimensions of 900 <PILOT> Power-Propelled Drum Pourer

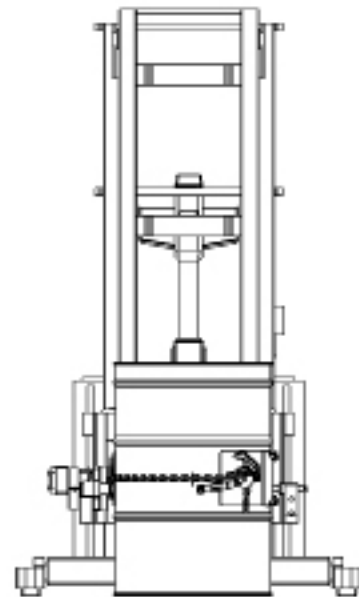
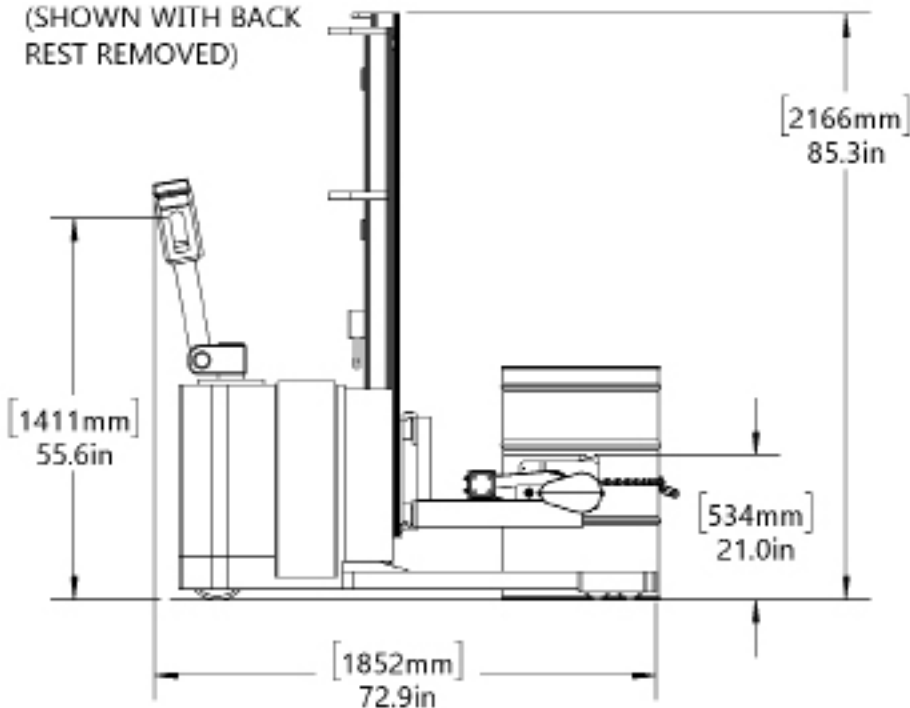
With Drum Lowered To The Floor

Net Weight: 2632 Lb. (1194 kg)
 Capacity: 1500 Lb. (680 kg) Full Drum
 800 Lb. (363 kg) Half-Full Drum [^]



(LEGS CAN BE ADJUSTED TO 46.0 OR 50.0 INSIDE)

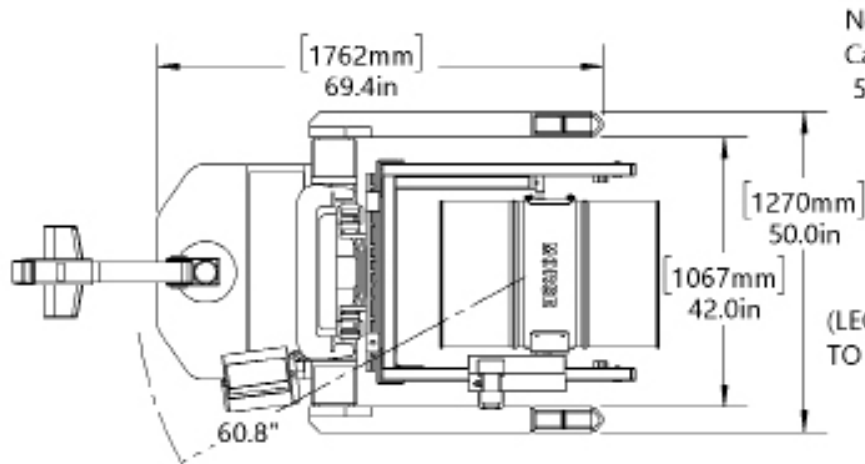
(SHOWN WITH BACK REST REMOVED)



^{*} Half-full rating is an indication of capacity for tilting unbalanced, bottom-heavy drum. Partially full drum with unbalanced and shifting load is harder to tilt than full drum.

Dimensions of 905 <PILOT> Scale-Equipped Power-Propelled Drum Pourer

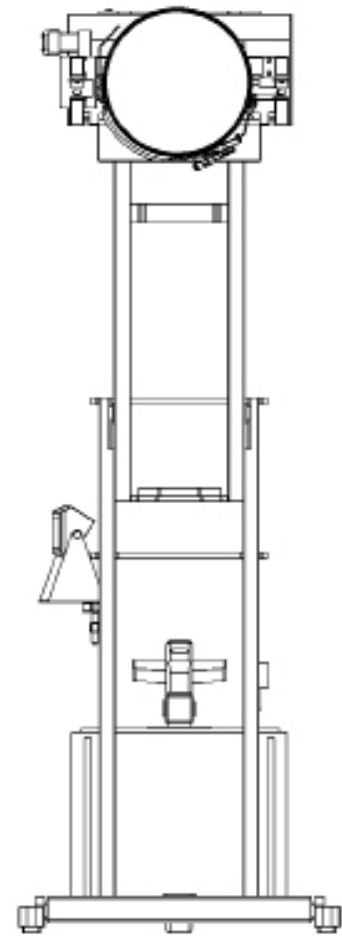
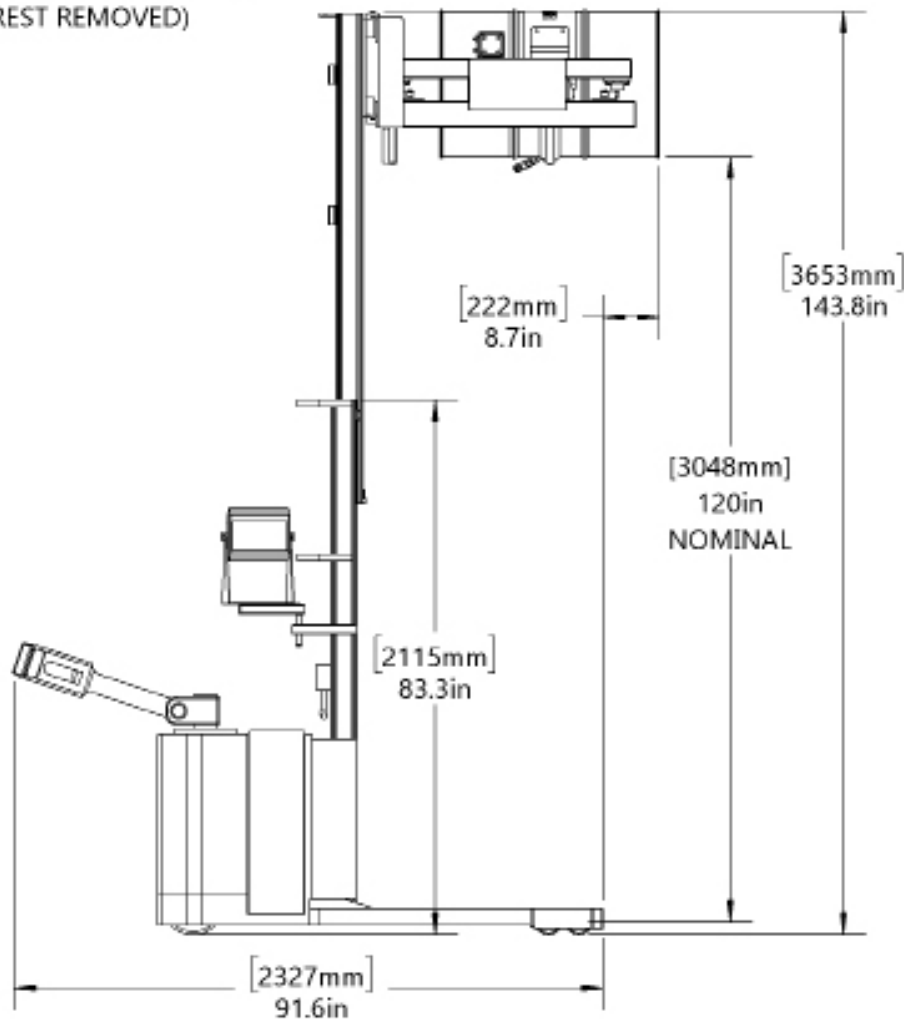
With Drum Raised To Maximum Dispensing Height



Net Weight: 2672 Lb. (1211 kg)
Capacity: 800 Lb. (363 kg) Full Drum
500 Lb. (227 kg) Half-Full Drum *

(LEGS CAN BE ADJUSTED TO 46.0 OR 50.0 INSIDE)

(SHOWN WITH BACK REST REMOVED)

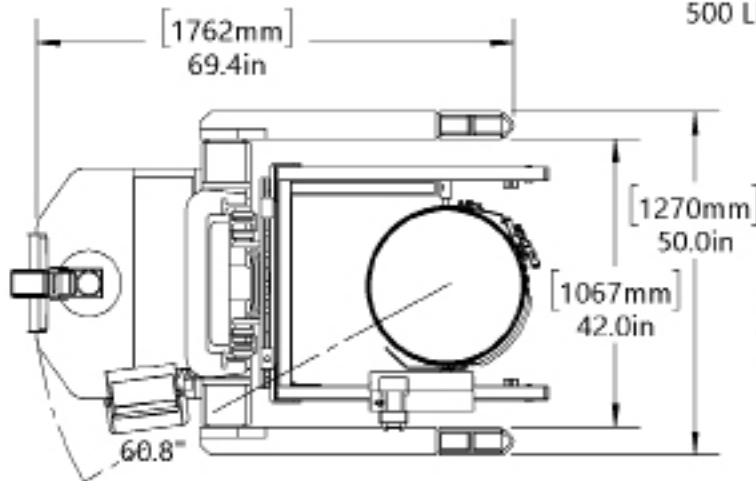


* Half-full rating is an indication of capacity for tilting unbalanced, bottom-heavy drum. Partially full drum with unbalanced and shifting load is harder to tilt than full drum.

Dimensions of 905 <PILOT> Scale-Equipped Power-Propelled Drum Pourer

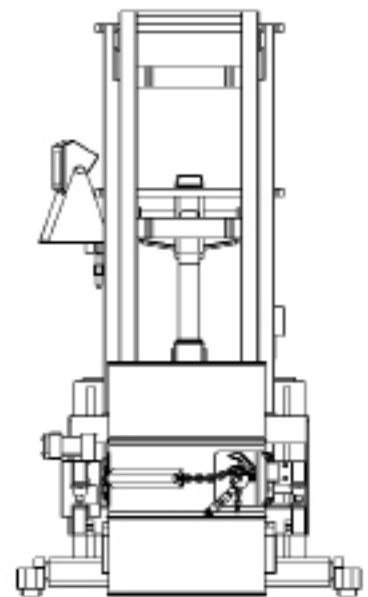
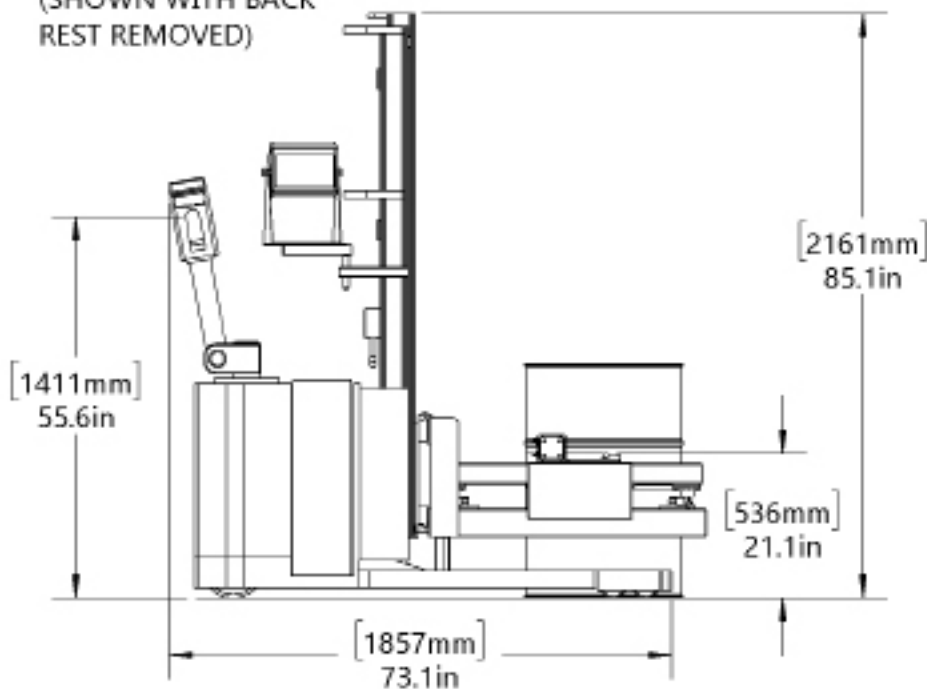
With Drum Lowered To The Floor

Net Weight: 2672 Lb. (1211 kg)
Capacity: 800 Lb. (363 kg) Full Drum
500 Lb. (227 kg) Half-Full Drum *



(LEGS CAN BE ADJUSTED TO 46.0 OR 50.0 INSIDE)

(SHOWN WITH BACK REST REMOVED)



* Half-full rating is an indication of capacity for tilting unbalanced, bottom-heavy drum. Partially full drum with unbalanced and shifting load is harder to tilt than full drum.