

**Enclosures with Safety Interlock**

**>> Click to Watch Video <<**

### Enclosures with Safety Interlock Help Comply with OSHA Requirements

(Can Tumblers are Sold Separately)

Enclosures for Morse Can Tumblers have safety interlock to automatically shut off the machine when gate is opened.

To operate, open the enclosure gate, secure can in holder. Then close gate to begin tumbling operation.

Install all Morse Drum Rotators in accordance with OSHA requirements for enclosure and safety interlock, etc. Drum roller automatically turns off when enclosure door is opened.

For OSHA compliance, see OSHA subpart O.1910.212(a)(4) "Barrels, containers, and drums. Revolving drums, barrels, and containers shall be guarded by an enclosure which is interlocked with the drive mechanism, so that the barrel, drum, or container cannot revolve unless the guard enclosure is in place."

Power connections and motor controls must comply with applicable codes.

MADE IN USA



Enclosure for DOUBLE Can Tumbler, shown installed (Can Tumbler sold separately)



Enclosure for SINGLE Can Tumbler, shown installed (Can Tumbler sold separately)

#### Kits for Customer to Install

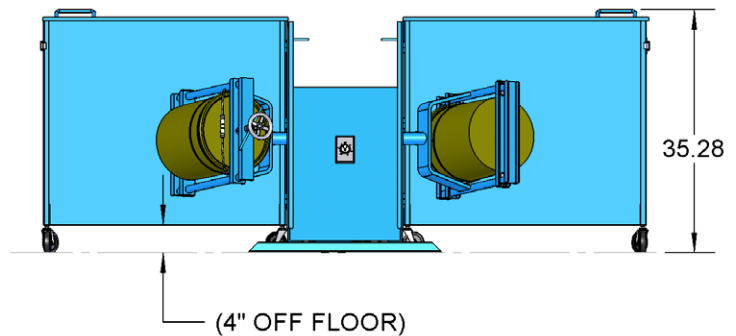
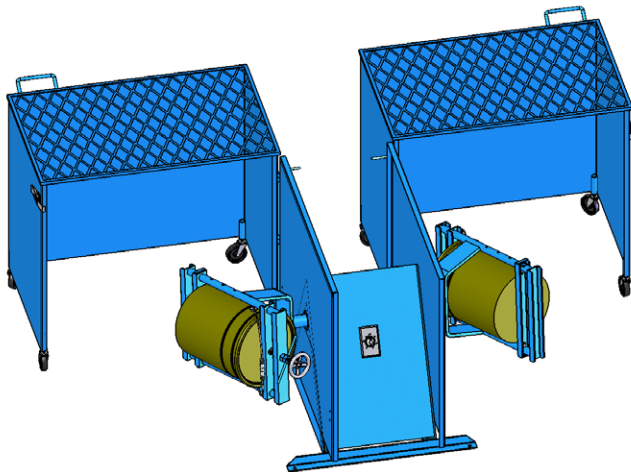
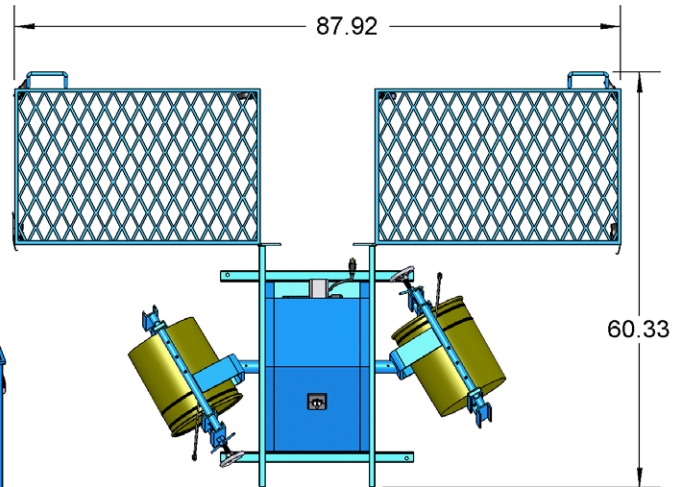
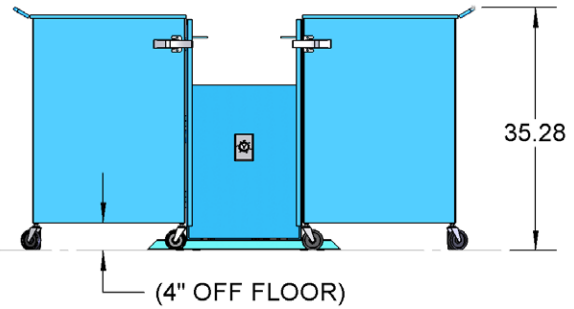
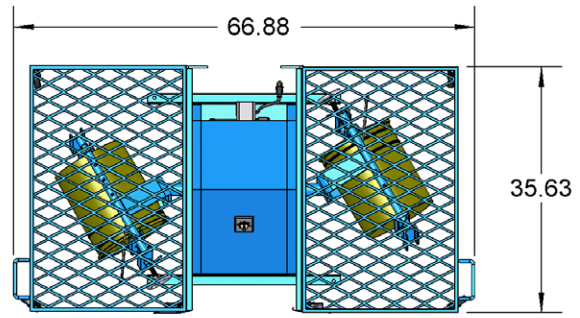
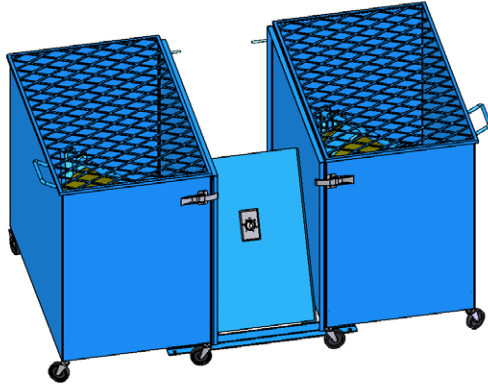
Enclosure Kit #	Fits Model # (Sold Separately)	Gate Switch
GEK-2-305-1	2-305-1	AC
GEK-2-305-1-230	2-305-1-230	AC
GEK-2-305-3	2-305-3	AC
GEK-2-305-575	2-305-575	AC
GEK-2-305-A	2-305-A	Air switch
GEK-2-305-E1	2-305-E1	AC explosion proof *
GEK-2-305-E3	2-305-E3	AC explosion proof *
GEK-2-305-E575	2-305-E575	AC explosion proof *
GEK-1-305-1	1-305-1	AC
GEK-1-305-1-230	1-305-1-230	AC
GEK-1-305-3	1-305-3	AC
GEK-1-305-575	1-305-575	AC
GEK-1-305-A	1-305-A	Air switch
GEK-1-305-E1	1-305-E1	AC explosion proof *
GEK-1-305-E3	1-305-E3	AC explosion proof *
GEK-1-305-E575	1-305-E575	AC explosion proof *

#### Kits for Models with 50Hz Motor

Enclosure Kit #	Fits Model # (Sold Separately)	Gate Switch
GEK-2-305-1-50	2-305-1-50	AC
GEK-2-305-3-50	2-305-3-50	AC
GEK-2-305-E1-50	2-305-E1-50	AC explosion proof *
GEK-2-305-E3-50	2-305-E3-50	AC explosion proof *
GEK-1-305-1-50	1-305-1-50	AC
GEK-1-305-3-50	1-305-3-50	AC
GEK-1-305-E1-50	1-305-E1-50	AC explosion proof *
GEK-1-305-E3-50	1-305-E3-50	AC explosion proof *

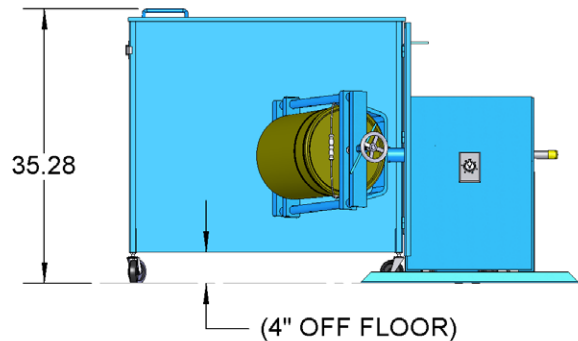
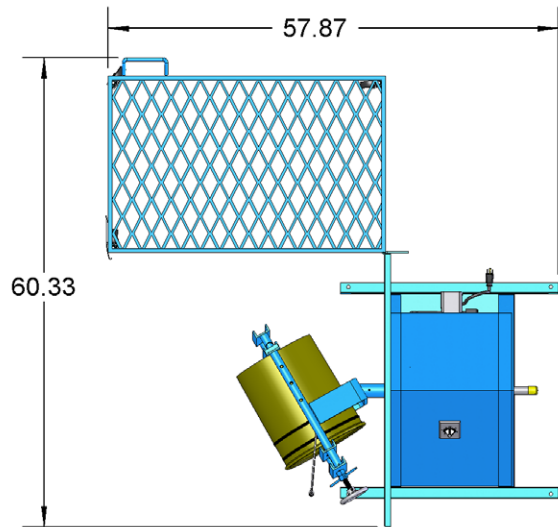
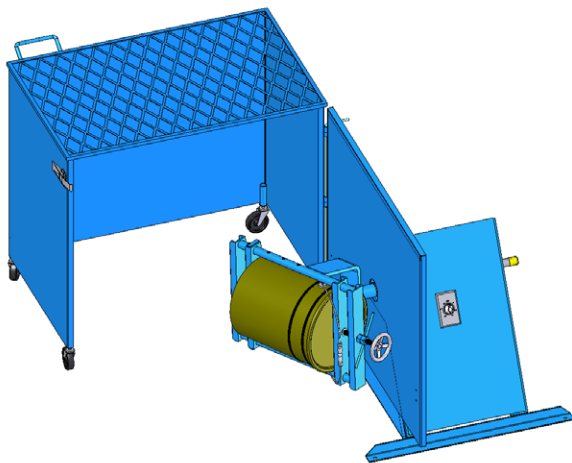
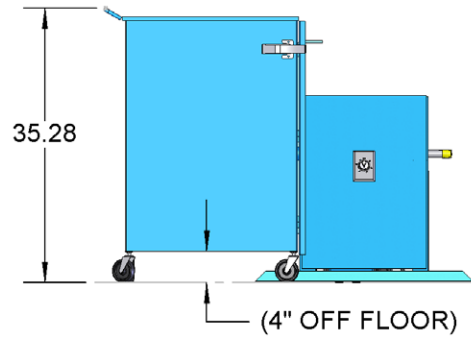
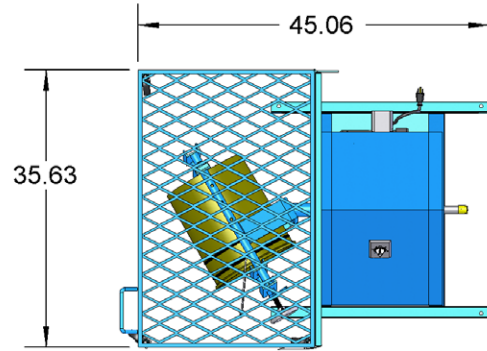
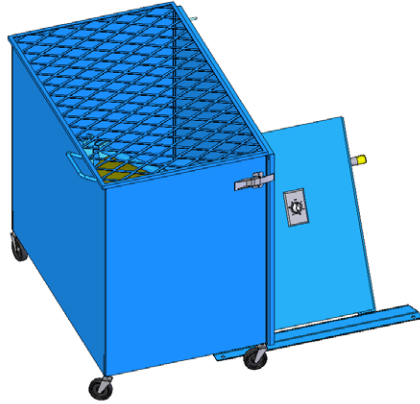
\* Explosion Proof rated for Class I Group D, and Class II Groups F and G

**Dimensions of Guard Enclosure  
 with Safety Interlock  
 for DOUBLE Can Tumblers  
 (Can Tumblers Sold Separately)**



MADE  
 IN  
 USA

**Dimensions of Guard Enclosure  
with Safety Interlock  
for SINGLE Can Tumblers  
(Can Tumblers Sold Separately)**



MADE  
IN  
USA

Factory Installed Enclosures		
Option #	Factory Installed on Model # (Sold Separately)	Gate Switch
GEO-2-305-1	2-305-1	AC
GEO-2-305-1-230	2-305-1-230	AC
GEO-2-305-3	2-305-3	AC
GEO-2-305-575	2-305-575	AC
GEO-2-305-A	2-305-A	Air switch
GEO-2-305-E1	2-305-E1	AC explosion proof *
GEO-2-305-E3	2-305-E3	AC explosion proof *
GEO-2-305-E575	2-305-E575	AC explosion proof *
GEO-1-305-1	1-305-1	AC
GEO-1-305-1-230	1-305-1-230	AC
GEO-1-305-3	1-305-3	AC
GEO-1-305-575	1-305-575	AC
GEO-1-305-A	1-305-A	Air switch
GEO-1-305-E1	1-305-E1	AC explosion proof *
GEO-1-305-E3	1-305-E3	AC explosion proof *
GEO-1-305-E575	1-305-E575	AC explosion proof *
Factory Installed Enclosures for Models with 50Hz Motor		
Option #	Factory Installed on Model # (Sold Separately)	Gate Switch
GEO-2-305-1-50	2-305-1-50	AC
GEO-2-305-3-50	2-305-3-50	AC
GEO-2-305-E1-50	2-305-E1-50	AC explosion proof *
GEO-2-305-E3-50	2-305-E3-50	AC explosion proof *
GEO-1-305-1-50	1-305-1-50	AC
GEO-1-305-3-50	1-305-3-50	AC
GEO-1-305-E1-50	1-305-E1-50	AC explosion proof *
GEO-1-305-E3-50	1-305-E3-50	AC explosion proof *

\* Explosion Proof rated for Class I Group D, and Class II Groups F and G