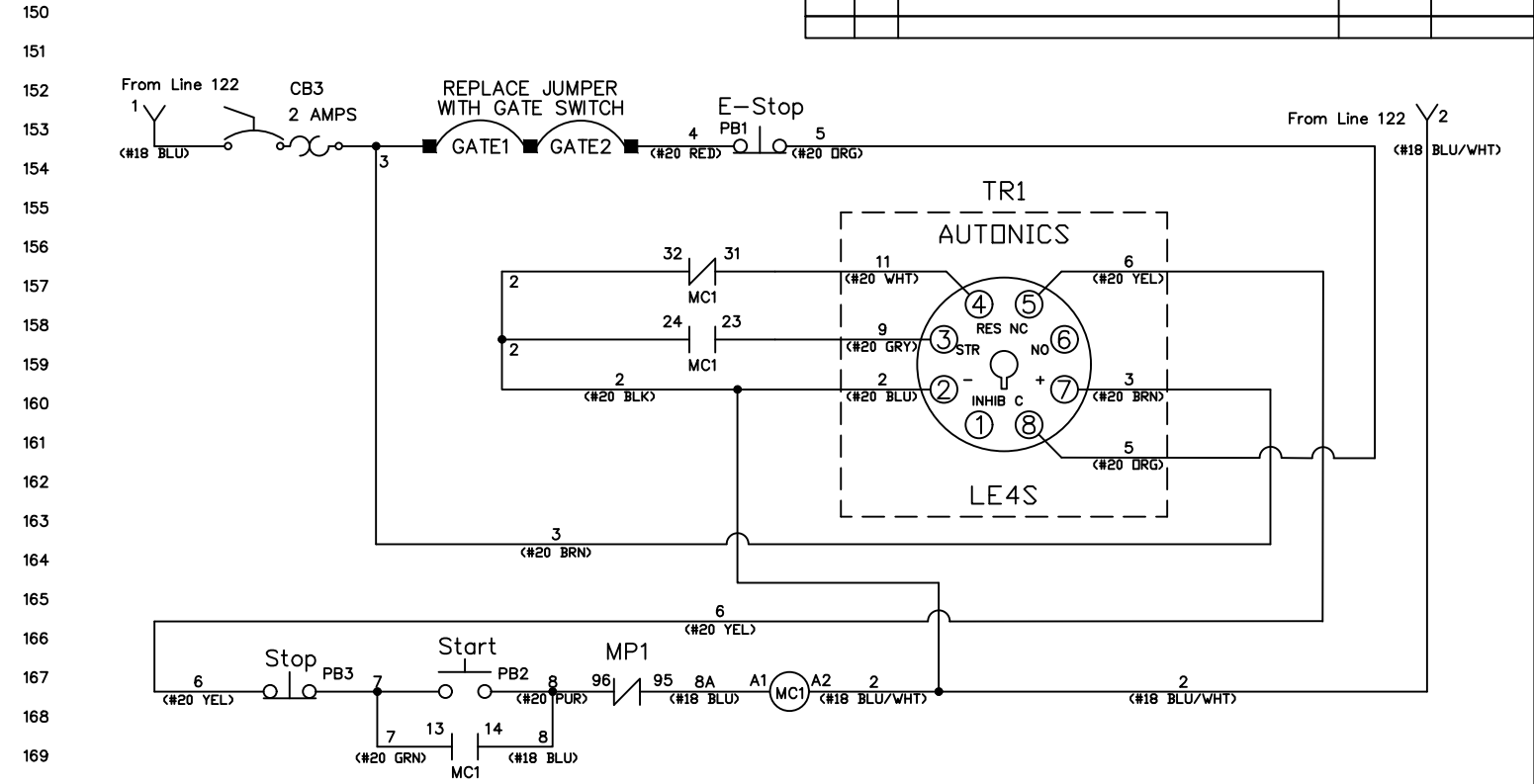
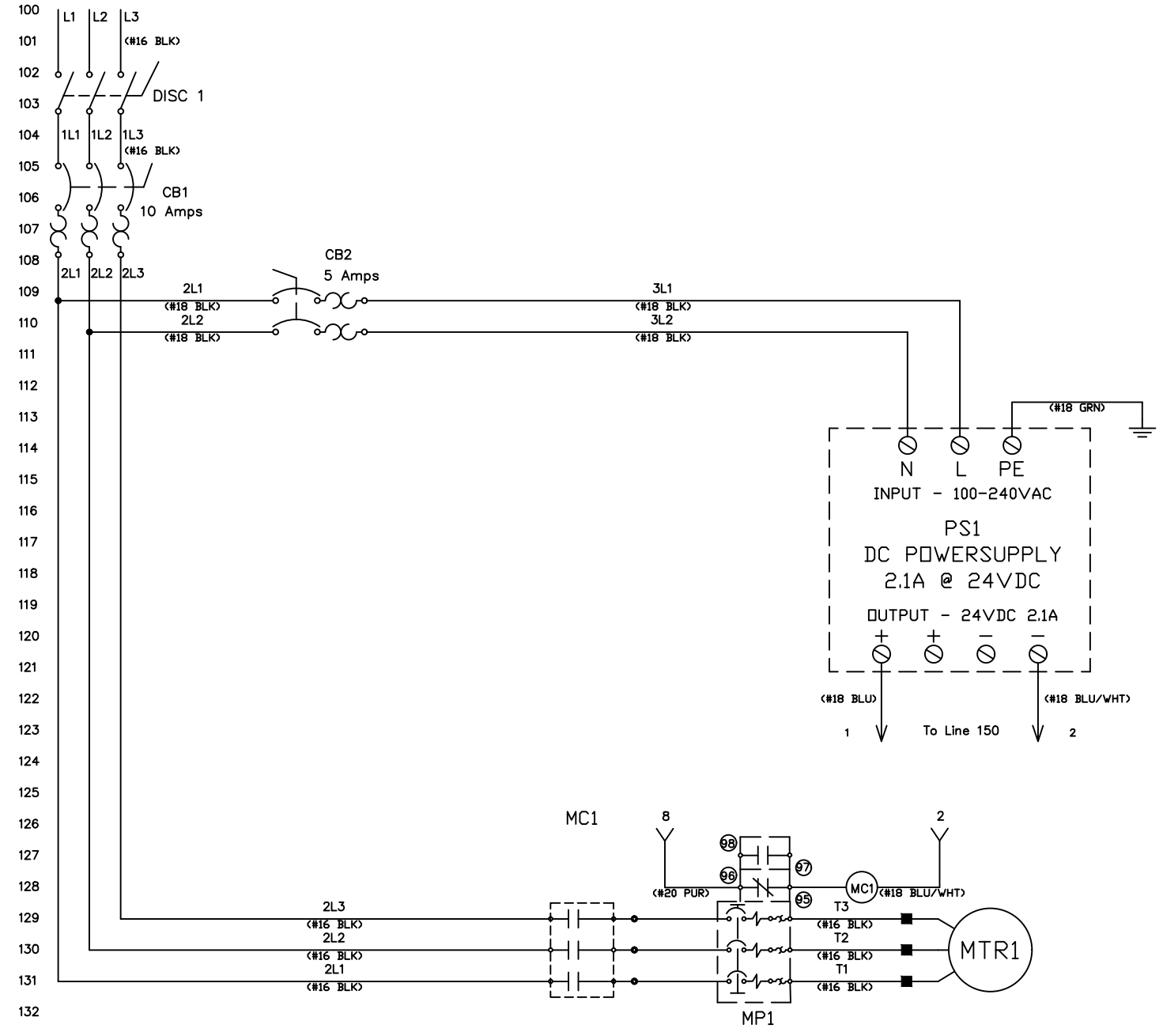


MAINS POWER
208 - 230 VAC 3 Phase
15 AMP



*MANUFACTURER	*PART NUMBER	DESCRIPTION	QUANTITY
Iboco	T1-0510G	WIRE DUCT	1
Iboco	OMEGA 3FAL1	DIN Rail	1
Eurobex (EXM)	5412 ESCH141206	Enclosure, NEMA 4-12, 14" x 12" x 6"	1
McMaster-Carr	5891T111	Electrical Hazard Warning Label	1
Mencom	PCG-1/2X	Cable Gland	1
Mencom	PCG-1/2	Cable Gland	2
Mencom	212PA	Nut	3
Autonics	LE4S	Digital Timer, 24-240VAC/VDC, Relay Output	1
Autonics	PG-08	8-Pin Socket	1
Sprecher+Schuh	SVL 2-24-100	Power Supply, Input 115/230VAC, Output 24VDC @ 2.1A	1
Sprecher+Schuh	CA7-9E-10-24E	Contactor	1
Sprecher+Schuh	CA7-PV-S11	Auxiliary Contact Block, 1NO/1NC	1
Sprecher+Schuh	CEP7-1EECB	Overload Relay, 1.0 to 5.0A	1
Sprecher+Schuh	D7P-E202PX01	Pushbutton, Extended Black "STOP", 1NC	1
Sprecher+Schuh	D7P-F301PX10	Pushbutton, Flush Green "START", 1NO	1
Sprecher+Schuh	D7P-MT44	E-Stop Operator, Twist-To-Release, 40mm	1
Sprecher+Schuh	D7-ALP	Latch, Plastic	1
Sprecher+Schuh	D7-X01S	Contact Block, NC	1
Sprecher+Schuh	D7-15YSE112	E-Stop Inscription Ring	1
WEG	MSW 40 B-3 H	Base Mounted 3 Pole Switch w/Handle & Shaft	1
Sprecher+Schuh	L9-10/3/D	Circuit Breaker, 10 Amp, D-Curve	1
Sprecher+Schuh	L8-5/2/B	Circuit Breaker, 5 Amp, B-Curve	1
Sprecher+Schuh	L8-2/1/B	Circuit Breaker, 2 Amp, B-Curve	1
Sprecher+Schuh	V7-WG4	Ground Terminal	1
Sprecher+Schuh	V7-W4	Terminal	11
Sprecher+Schuh	V7-EA35	End Anchor	9
Sprecher+Schuh	V7-EB3	End Barrier	1
Sprecher+Schuh	V7-PP3	Partition	2
Sprecher+Schuh	V7-CJ6-2	Center Jumper	1
Sprecher+Schuh	V7-SM6X12	Marker Card	1
		Legend Plate, 0.75" x 0.75", "0"	1
		Legend Plate, 0.75" x 0.75", " "	1

TIMER SETTINGS		
PARAMETER	DISPLAY	SETTING
Output operation mode	oN	oN
Time Range	6.00	99'59"
Time UP/DOWN	U-D	oN
Width of min. input signal	1.00	20
Backlight	oN	oN
Key lock	LoCK	LoFF

*FUNCTIONALLY EQUIVALENT COMPONENTS MAY BE SUBSTITUTED

ZONE	REV	DESCRIPTION	DATE	APPROVED
153	01	ELECTRICAL REVISION	02/26/24	PCW
155	02	Electrial & BDM Revision (New Timer)	04/03/25	PCW

DRAWN BY
PCW
CHKD BY
PCW
DATE DRAWN
11/11/22
DATE CHKD
04/03/25



103 Kuhn Rd, Syracuse, NY 13208
PHONE 315-564-4347 FAX 315-437-1029