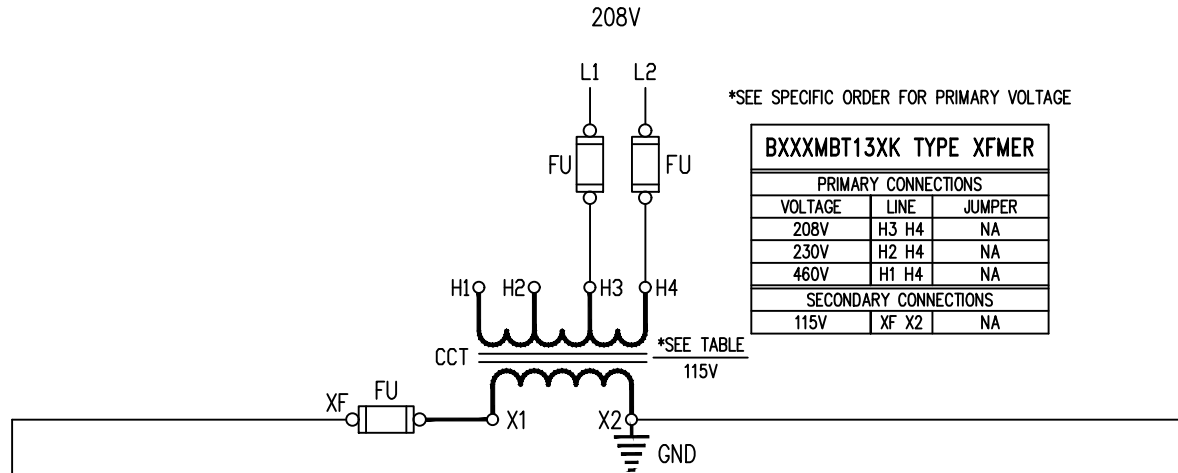
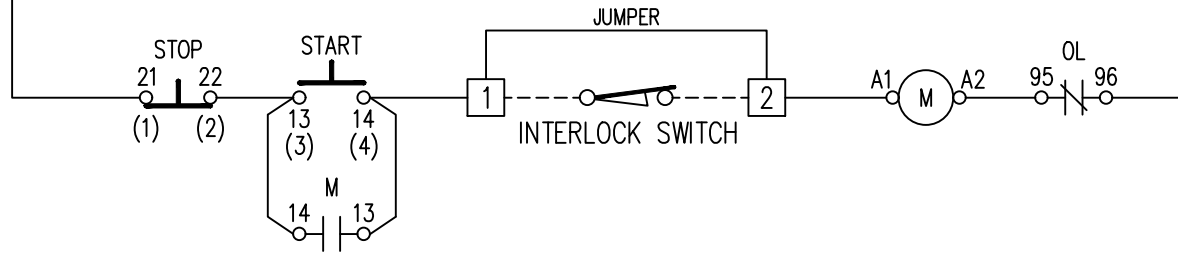


CUSTOMER TO SUPPLY PROPERLY PROTECTED
INCOMING POWER AS PER LOCAL CODES.
(USE 75°C COPPER WIRE ONLY)

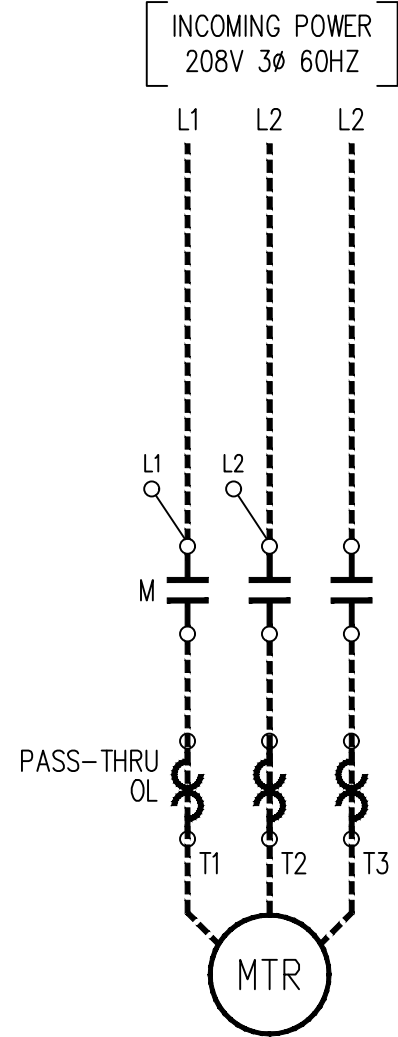
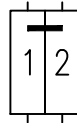


*SEE SPECIFIC ORDER FOR PRIMARY VOLTAGE

BXXXMBT13XK TYPE XFMER		
PRIMARY CONNECTIONS		
VOLTAGE	LINE	JUMPER
208V	H3 H4	NA
230V	H2 H4	NA
460V	H1 H4	NA
SECONDARY CONNECTIONS		
115V	XF X2	NA



TERM. BLOCK DETAIL



NON COMBINATION
3.0-5.0FLA

NOTES:

- 1) TB JUMPER TO BE REMOVED IF INTERLOCK SWITCH IS USED.
- 2) X2 TERMINAL GROUNDED AS STANDARD, REMOVE IF NOT REQUIRED.

REV	CHANGE	DATE	BY
-	-	-	-
-	-	-	-
-	-	-	-
-	-	-	-
-	-	-	-

NOTICE
THIS DRAWING IS THE CONFIDENTIAL PROPERTY OF SPRECHER+SCHUH, INC and, as such, is subject to recall at any time. The drawing may not be reproduced, used or disclosed for any purpose except as authorized by SPRECHER+SCHUH, INC.

DRAWN BY:
MB

APPROVED BY:
CG

DATE:
7-14-22

CUSTOM CONTROL PANEL
FVNR W/ START-STOP
PART NUMBER - 6543C-P
AUBURN ARMATURE - MORSE MFG

sprecher+schuh HOUSTON, TEXAS
DWG. NO. CCP WS-615-1999 SHEET 3 OF 3 SERIES 600