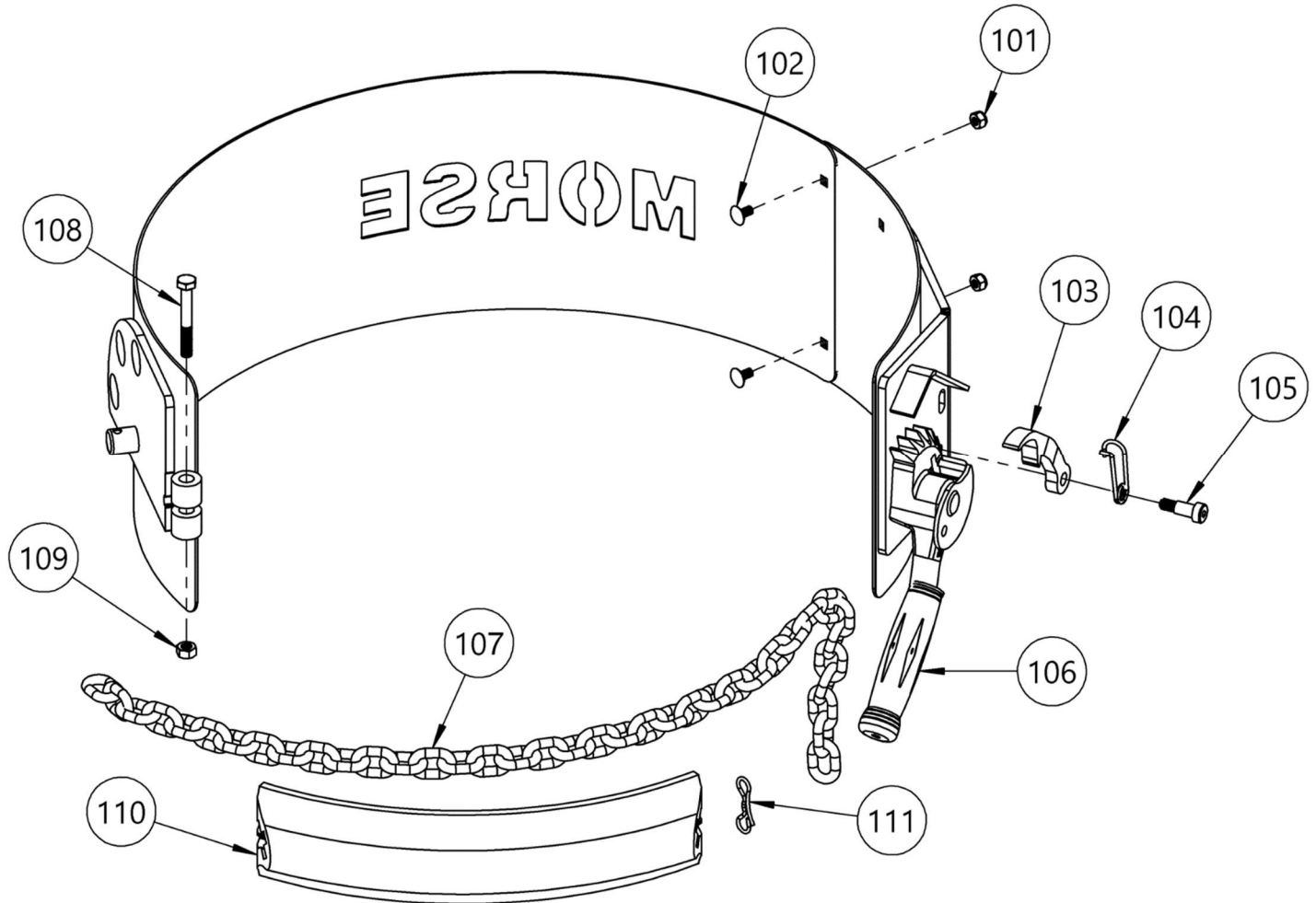


**Part 101C2-P**

**Drum Holder (Saddle) Assembly**

SN 0518 to Current (MMYY) or 400000 to Current



| ITEM | QTY. | PART NUMBER | DESCRIPTION                  |
|------|------|-------------|------------------------------|
| 101  | 2    | 1518-P      | NUT, 1/4-20 NYLON LOCK       |
| 102  | 2    | 1317-P      | BOLT, 1/4-20 X 1/2 CARRIAGE  |
| 103  | 1    | 168-P       | PAWL, WITH DRILLED HOLE      |
| 104  | 1    | 169-P       | SPRING, PAWL                 |
| 105  | 1    | 170-P       | SCREW 3/8 X 5/8 SHOULDER     |
| 106  | 1    | 136-P       | GRIP, HANDLE 7/8" X 4-3/4"   |
| 107  | 1    | 5017-P      | CHAIN, 9/32 CINCH, 38 LINK   |
| 108  | 1    | 4079-P      | HHCS, M8 X 60 MM CL8.8, 8MM  |
| 109  | 1    | 4081-P      | NUT, M8 ESNA, 8MM            |
| 110  | 1    | 4414-P      | COVER, CINCH CHAIN, FLEX PVC |
| 111  | 1    | 4710-P      | PIN, BOW TIE COTTER, MOR     |