

**Parts Diagram for Air Power Lift and Tilt Components
Used on Morse 96" Lift Stainless Steel Hydra-Lift Drum Pourers
with serial number 0217 to 0222 (MMYY)**

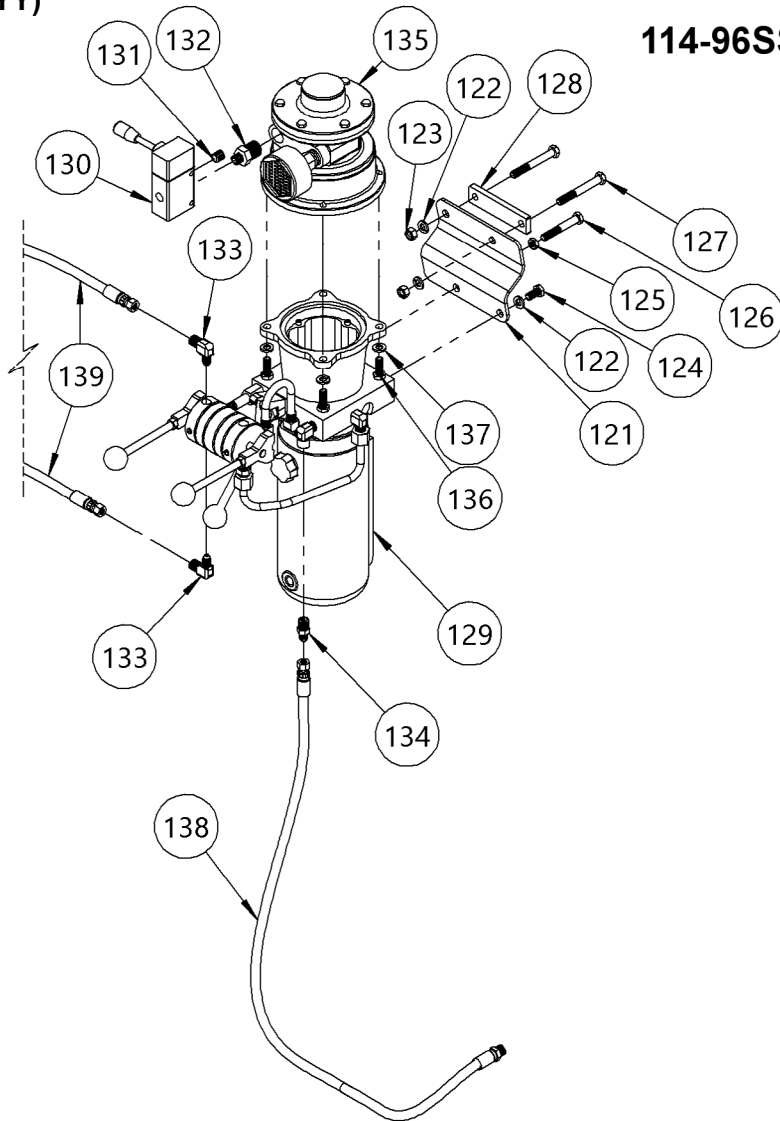
114-96SS



**IMPORTANT
NOTE**

4-Digit serial numbers
are simply the month
& year of manufacture

Example: 0802 is
August 2002



ITEM	PART#	DESCRIPTION	QTY.
121	3643SS-P	MOUNT, POWER PUMP, 400, SS	1
122	1474SS-P	WASHER, 3/8 SPLIT LOCK, SS	3
123	3981SS-P	NUT, 3/8-16 NYLON LOCK, SS	2
124	1657SS-P	HHCS, 3/8-16 X 3/4 SS	1
125	1165SS-P	NUT, 3/8-16 JAM SS	1
126	1315SS-P	HHCS, 3/8-16 X 2-3/4 SS	1
127	1521SS-P	HHCS, 3/8-16 X 3, SS	2
128	5848SS-P	BACK BRACKET, PUMP MOUNT, SS	1
129	M4507-P	HYD POWER PACK, -110, -114	1
130	3632-P	VALVE, AIR MOTOR, 400, 500	1
131	3634-P	HYD FIT, PIPE PLUG, 1/4 HEX	1
132	332-P	HYD FIT, PIPE NIPPLE 1/2-1/4	1
133	765-P	HYD FIT, MALE ELBOW, FLARE 400	2
134	345-P	HYD FIT, MALE FLARE, 456, 82	1
135	290-A-2P	MOTOR, 2HP, AIR, 56C	1
136	535SS-P	HHCS, 3/8-16 X 1-1/4, SS	4
137	1474SS-P	WASHER, 3/8 SPLIT LOCK, SS	4
138	3689-P	HYD HOSE ASM, 31"	1
139	1765-P	HYD HOSE ASM, 101", 96 PT	2