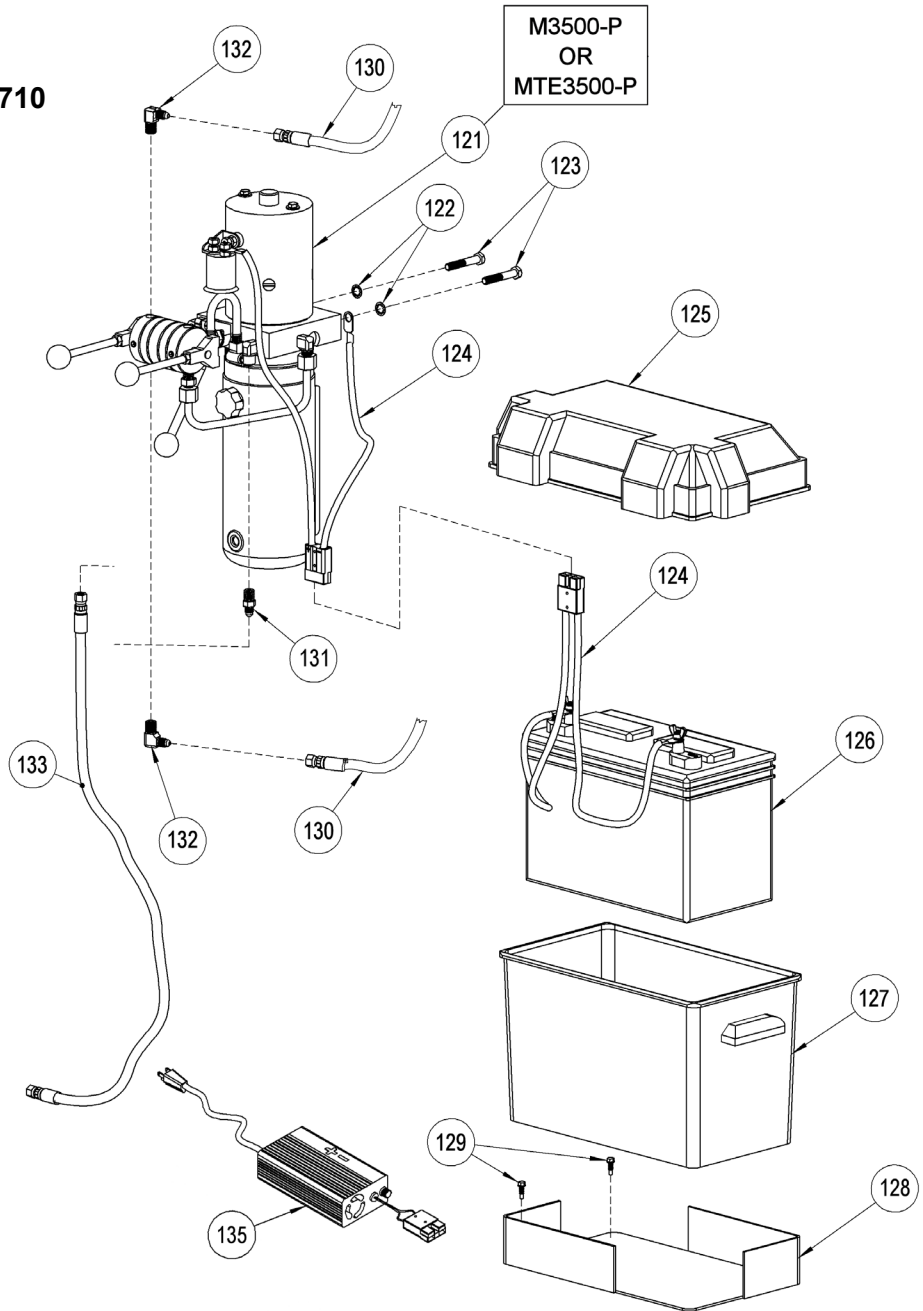


Parts Diagram for DC Power Lift and Tilt Components
Used on Morse Model 410-115
Heavy-Duty Hydra-Lift Karrier
with serial number 400000 to 416710



ITEM	QTY.	PART #	DESCRIPTION
121	1	M3500-P (SHOWN)	HYD POWER PACK, -115
121	1	MTE3500-P	HYD POWER PACK, -115 MTE
122	2	1739-P	WASHER 3/8 INTERNAL TOOTH LOCK
123	2	82-P	HHCS, 3/8-16 X 2-1/4 GR2
124*	2	404-P	HARNESS, PUMP CABLE, 20/20
125	1	1728-P	TOP, BATTERY BOX, 400, 285A-BP
126	1	388-P	BATTERY, 12V DC

ITEM	QTY.	PART #	DESCRIPTION
127	1	1729-P	BOTTOM, BATTERY BOX, 400
128	1	1726W-P	WELD, BATTERY MOUNT, 410 DC
129	2	193-P	SCREW, 12-14 X 3/4 3 PT TEK
130	2	1763-P	HYD HOSE ASM, 72 PT, 77"
131	1	345-P	HYD FIT, MALE FLARE, 456, 82
132	2	6648-P	HYD FIT, EL, SAE 4, FLARE
133	1	5180-P	HYD HOSE ASM, 28"
135	1	391-P	CHARGER 12V 50HZ 60HZ 100-240V

* Recommended spare parts