

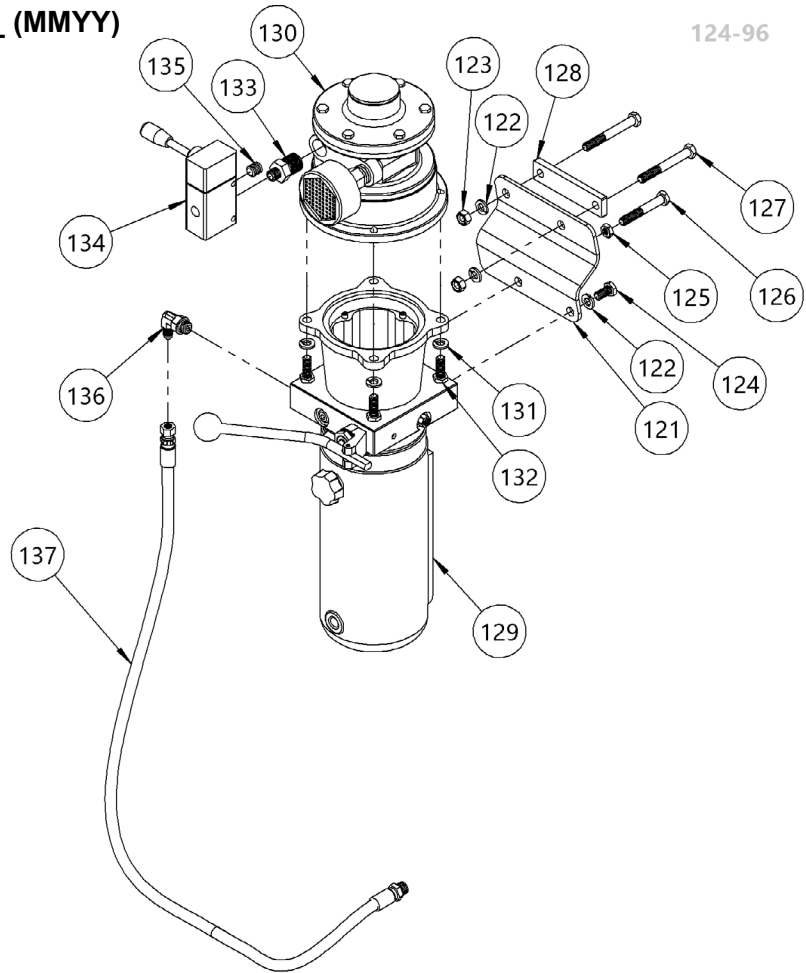
**Parts Diagram for Air Power Lift and Manual Tilt Components
Used on Morse 96" Lift Hydra-Lift Drum Pourers
with 6-digit serial number 400000 to _____
with 4-digit serial number 0217 to ____ (MMYY)**



**IMPORTANT
NOTE**

4-Digit serial numbers
are simply the month
& year of manufacture

Example: 0802 is
August 2002



ITEM NO.	PART NUMBER	DESCRIPTION	QTY.
121	3643-P	MOUNT PLATE, POWER PUMP	1
122	1474-P	WASHER, 3/8 SPLIT LOCK	3
123	149-P	NUT, 3/8-16 FIN HEX	2
124	1657-P	HHCS, 3/8-16 X 3/4 GR2	1
125	1165-P	NUT, 3/8-16 JAM	1
126	155-P	HHCS, 3/8-16 X 2-1/2 GR2	1
127	1521-P	HHCS, 3/8-16 X 3 GR5	2
128	5848-P	BACK BRACKET, PUMP MOUNT, 400	1
129	M4509-P	HYD POWER PACK, -120, -124	1
130	290-A-2P	MOTOR, AIR 2HP, 56C	1
131	1474-P	WASHER, 3/8 SPLIT LOCK	4
132	1572-P	HHCS, 3/8-16 X 1 GR2 ZINC	4
133	332-P	HYD FIT, PIPE NIPPLE 1/2 - 1/4	1
134	3632-P	VALVE, AIR MOTOR, 400, 500	1
135	3634-P	HYD FIT, PIPE PLUG, 1/4" HEX	1
136	3610-P	HYD FIT, MALE ELBOW, SAE	1
137	3689-P	HYD HOSE ASM, 31"	1