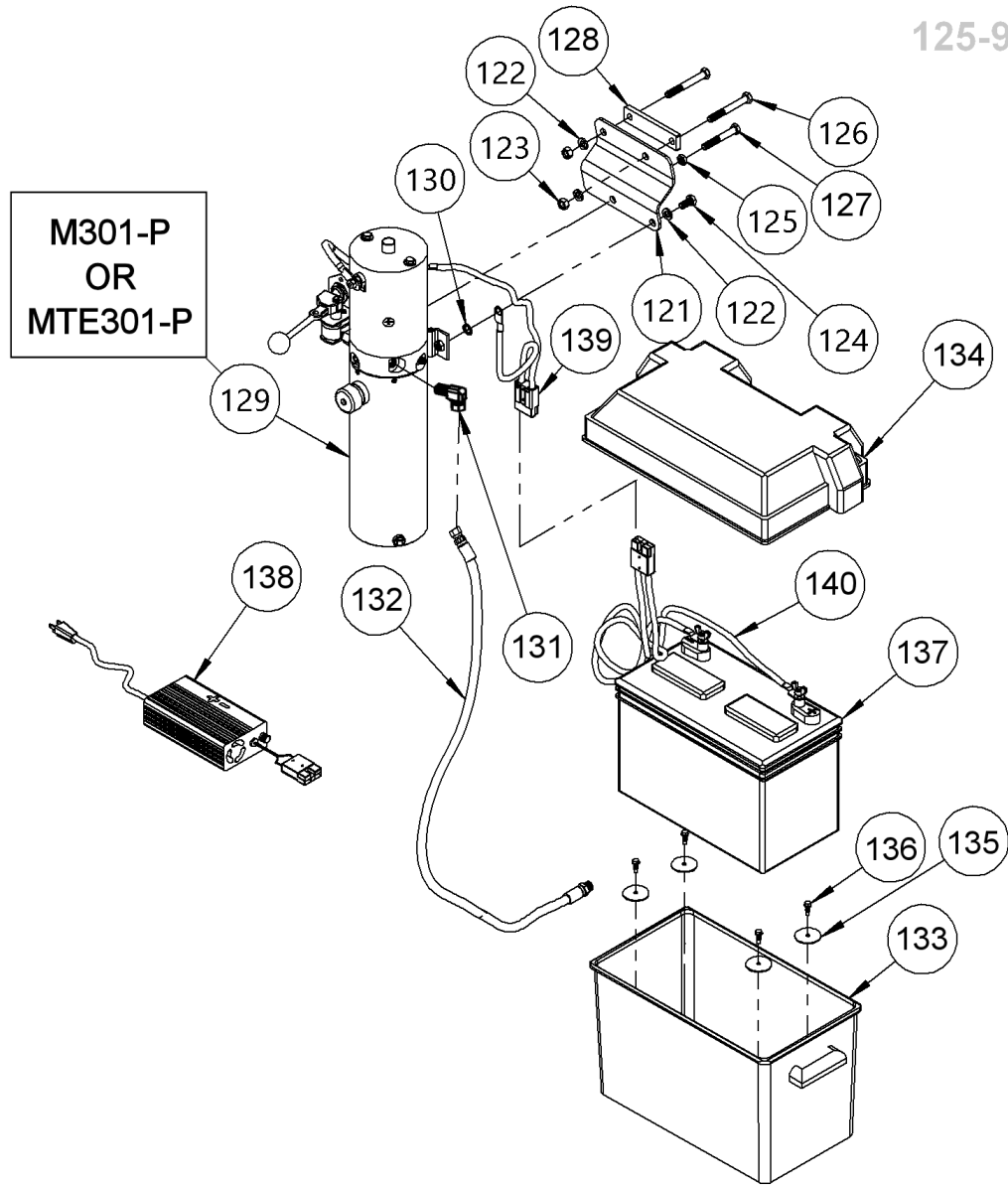


Parts Diagram for DC Power Lift Components  
Used on Morse 96" Lift Stainless Steel Hydra-Lift Drum Pourers  
with 6-digit serial number 400000 to \_\_\_\_\_  
with 4-digit serial number 0217 to \_\_\_\_ (MMYY)

125-96SS

**IMPORTANT NOTE**

4-Digit serial numbers are simply the month & year of manufacture  
Example: 0802 is August 2002



| ITEM | PART#          | DESCRIPTION                    | QTY. |
|------|----------------|--------------------------------|------|
| 121  | 3643SS-P       | MOUNT, POWER PUMP, 400, SS     | 1    |
| 122  | 1474SS-P       | WASHER, 3/8 SPLIT LOCK, SS     | 3    |
| 123  | 3981SS-P       | NUT, 3/8-16 NYLON LOCK, SS     | 2    |
| 124  | 1657SS-P       | HHCS, 3/8-16 X 3/4 SS          | 1    |
| 125  | 1165SS-P       | NUT, 3/8-16 JAM SS             | 1    |
| 126  | 1315SS-P       | HHCS, 3/8-16 X 2-3/4 SS        | 1    |
| 127  | 1521SS-P       | HHCS, 3/8-16 X 3, SS           | 2    |
| 128  | 5848SS-P       | BACK BRACKET, PUMP MOUNT, SS   | 1    |
| 129  | M301-P (SHOWN) | HYD POWER PACK, -125           | 1    |
| 129  | MTE301-P       | HYD POWER PACK, -125 MTE       | 1    |
| 130  | 1739-P         | WASHER 3/8 INTERNAL TOOTH LOCK | 1    |

| ITEM | PART#  | DESCRIPTION                    | QTY. |
|------|--------|--------------------------------|------|
| 131  | 765-P  | HYD FIT, MALE ELBOW, FLARE 400 | 1    |
| 132  | 3689-P | HYD HOSE ASM, 31"              | 1    |
| 133  | 1729-P | ** BOTTOM, BATTERY BOX, 400 BP | 1    |
| 134  | 1728-P | ** TOP, BATTERY BOX, 400, BP   | 1    |
| 135  | 4168-P | WASHER, 7/32, 1-1/2 OD, FENDER | 4    |
| 136  | 193-P  | SCREW, TEK, 12-14 X 3/4 3 PT   | 4    |
| 137  | 388-P  | BATTERY, 12V DC                | 1    |
| 138  | 391-P  | CHARGER 12V 50HZ 60HZ 100-240V | 1    |
| 139  | 404-P  | HARNES, PUMP CABLE, 20/20      | 1    |
| 140  | 403-P  | HARNES, BATTERY CABLE, 20/30   | 1    |