

CONTENTS

- Assembly Instructions
- Parts List and Diagram

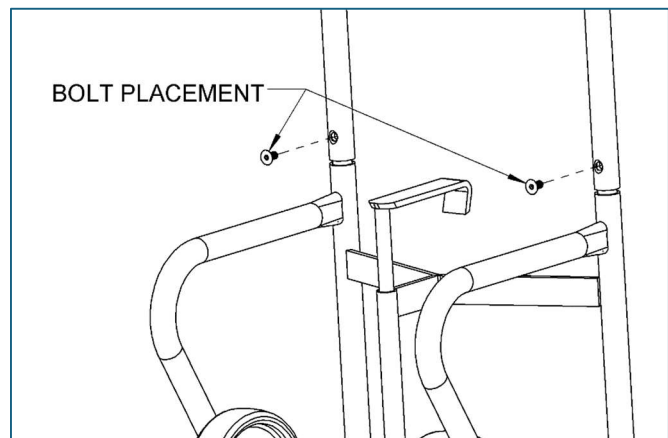
Model 160-SS

Stainless Steel 4-Wheel Drum Truck
Wheels inside frame
Capacity: 1000 Lb. (454 kg)



Assembly Instructions

1. Insert Hook Weld (item 7) into tube of drum truck base with holes aligned.
2. Install handle onto drum truck base. Secure with 2 screws (item 11) using 7/32" hex wrench.



WARNING - This product can expose you to chemicals including barium sulfate, cobalt, titanium dioxide, and 2-methylimidazole, which are known to the State of California to cause cancer, and bisphenol-A, which is known to the State of California to cause birth defects or other reproductive harm. For more information go to www.P65Warnings.ca.gov



ITEM	QTY.	PART NUMBER	DESCRIPTION
3	2	4685SS-P	HEX DRIVE, 3/8-16 X 3/4 FH SS
4	1	2752-P	STAND WELD, SS, 160-SS
5	2	2758-P	AXLE, 19.75", SS, 160-SS
6	4	87-P	WHEEL, MORTUF, 8", 3/4" BRG
7	4	55SS-P	WASHER, 3/4 SAE FL 1-1/2 OD SS
8	4	15SS-P	COLLAR, 3/4" ID, SS
9	1	1114SS-P	SPRING, EXTENSION, SS, 160-SS
10	1	5941SS-P	HOOK WELD, SS, 160-SS
11	4	1000SS-P	SET SCREW, 1/4-20 X 3/8, SS