

CONTENTS

- Assembly Instructions
- Parts List and Diagram

Model 160-WP-SS

Stainless Steel 4-Wheel Drum Truck

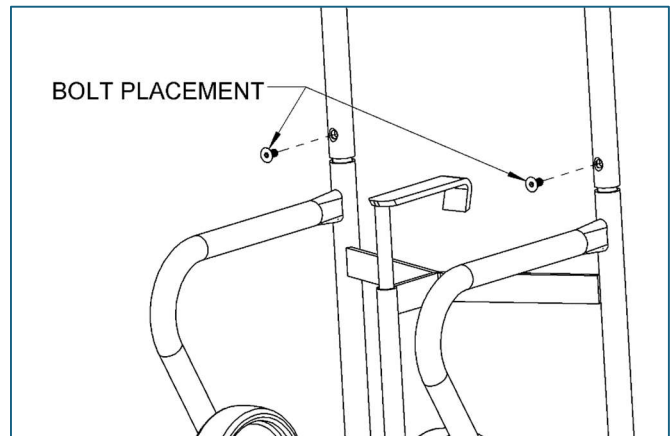
Wide tires for rough terrain

Capacity: 1000 Lb. (454 kg)



Assembly Instructions

1. Insert Hook Weld (item 7) into tube of drum truck base with holes aligned.
2. Install handle onto drum truck base. Secure with 2 screws (item 11) using 7/32" hex wrench.

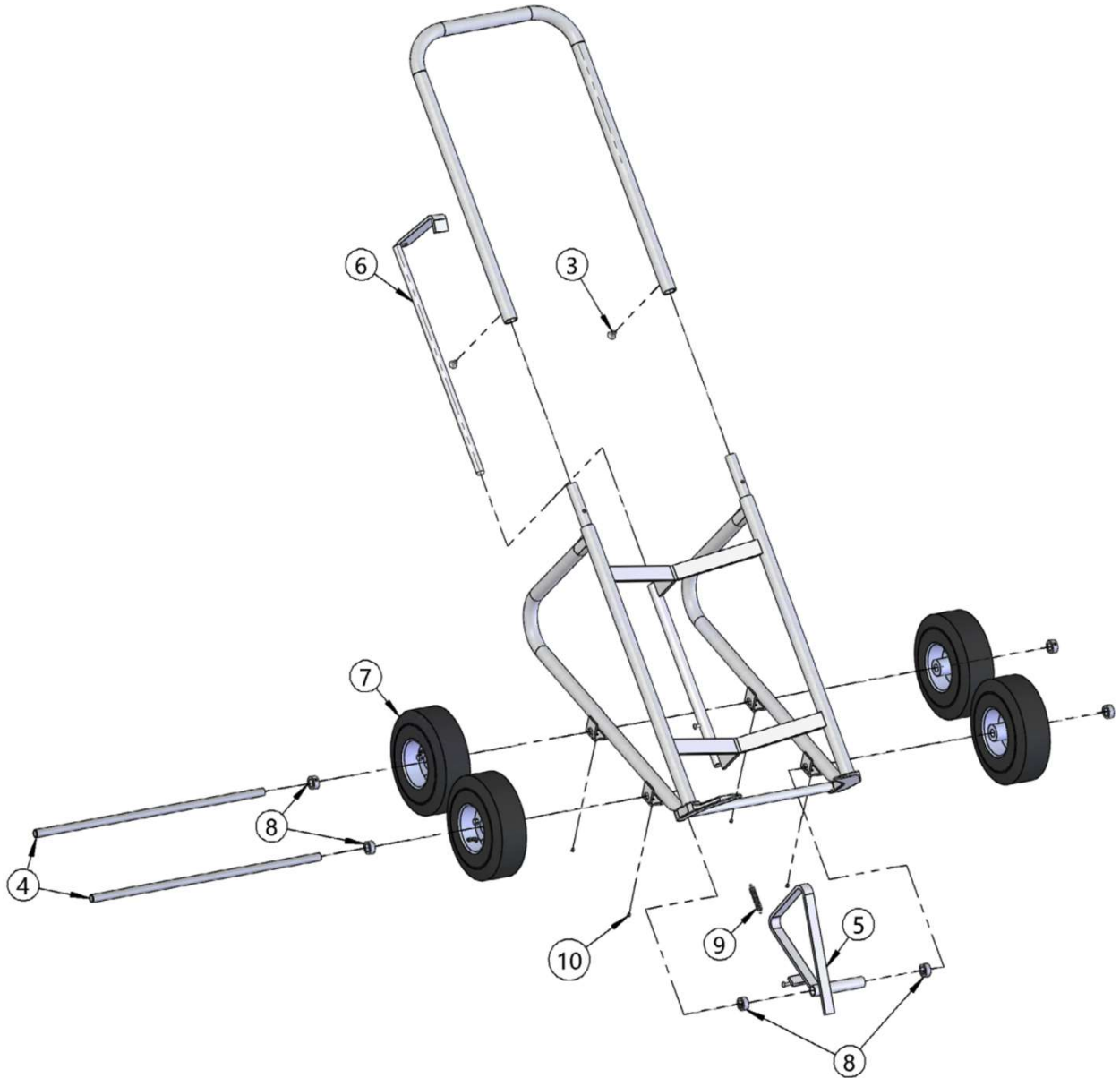


WARNING - This product can expose you to chemicals including barium sulfate, cobalt, titanium dioxide, and 2-methylimidazole, which are known to the State of California to cause cancer, and bisphenol-A, which is known to the State of California to cause birth defects or other reproductive harm. For more information go to www.P65Warnings.ca.gov

Model 160-WP-SS

4-Wheel Drum Truck

SN 1215 to Current (MMYY) or 400000 to Current



ITEM	QTY.	PART NUMBER	DESCRIPTION
3	2	4685SS-P	HEX DRIVE, 3/8-16 X 3/4 FH SS
4	2	1381SS-P	AXLE, 25.5", SS, 160-WP-SS
5	1	2752-P	STAND WELD, SS, 160-SS
6	1	5941SS-P	HOOK WELD, SS, 160-SS
7	4	1379-P	WHEEL, PNEUMATIC 10", 160-WP
8	6	15SS-P	COLLAR, 3/4" ID, SS
9	1	1114SS-P	SPRING, EXTENSION, SS, 160-SS
10	4	1000SS-P	SET SCREW, 1/4-20 X 3/8, SS