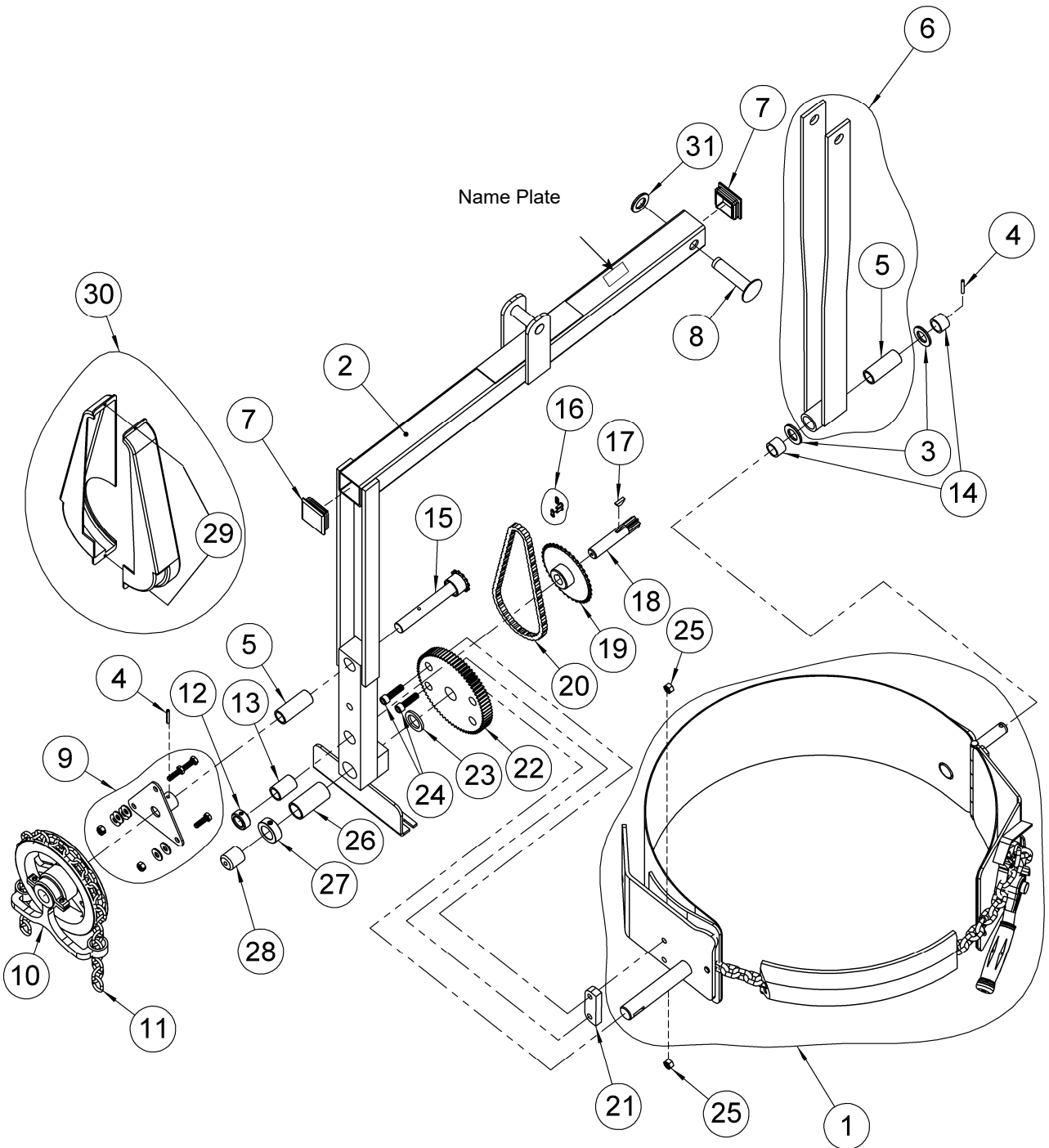


Model 185AM

Kontrol-Karrier with Spark Resistant Parts
SN 0613 to Current (MMYY) or 400000 to Current



Model 185AM

Kontrol-Karrier with Spark Resistant Parts

SN 0613 to Current (MMYY) or 400000 to Current

ITEM	QTY	PART	DESCRIPTION
1	1	5000M-P	SADDLE ASM, MORCINCH, MOR, SR
2	1	4494M-P	OVERHEAD YOKE WELD, 185AM MOR
3	2	55-P	WASHER, 3/4 SAE FL 1-1/2 OD
4*	2	64-P	ROLL PIN, 3/16 X 1-1/4
5*	2	19-P	BEARING, 3/4" ID X 2-1/2"
6	1	4497B-P	IDLER ARM W/BRG, 185A & HD MOR
7	2	4602-P	CAP, 2 X 2, PLASTIC
8	1	5585-P	CLEVIS PIN, GROOVE 3/4 X 2.813
9*	1	3M-P	TRIANGLE W/ TUBE & BOLTS, SR
10*	1	1-P	CHAIN WHEEL #1-1/2 W/ GUIDE SR
11*	1	2435-P	CHAIN, PULL, BRASS, 1/0, 12'
12	1	15-P	COLLAR, 3/4" ID
13*	1	7-P	BEARING, 3/4" ID X 1-1/2"
14	2	1411-P	SPACER, SHAFT W/ 12T SPROCKET
15*	1	5135-P	SHAFT, 12T SPROCKET & SPACER
16	1	795-P	LINK, MASTER, #35 CHAIN
17*	1	735-P	KEY, WOODRUFF, SIZE 9, ASA606
18*	1	14-P	GEAR, PINION, 7 TOOTH
19*	1	13-P	SPROCKET #35 36T, 3/4" BORE
20*	1	12-P	CHAIN, ROLLER, #35 W/ M LINK
21	1	4473-P	SPACER, SPUR GEAR, MOR
22*	1	23-P	GEAR, SPUR, 72T, 1" HOLE
23	1	29-P	SPACER, SPUR GEAR .15"
24	2	4370-P	SHCS, 3/8-16 X 1-3/8
25	2	1169-P	NUT, 3/8-16 REV HEX LOCK
26*	1	18-P	BEARING, 1" ID X 2-1/2"
27	1	16-P	COLLAR, 1" ID
28	1	4235-P	CAP, PLASTIC, DRIVE SHAFT
29	2	4481-P	SCREW, 8-18 X 5/8 FH SQUARE SS
30	1	4285-P	COVER SET, 30:1 GEARS, REG
31	1	5330-P	SNAP RING, EXT, HD, .078, 3/4"
* Recommended spare parts.			