

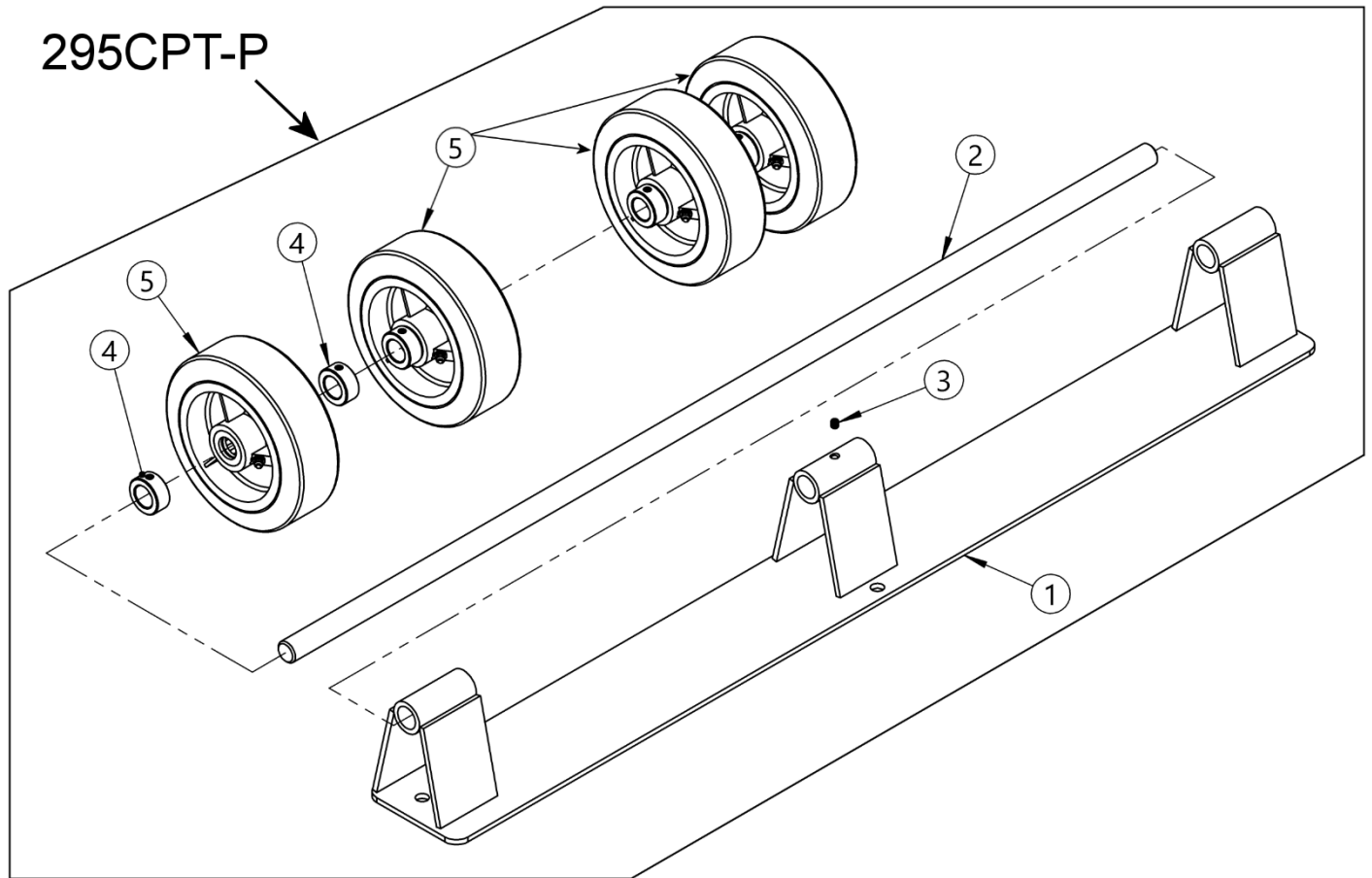
ITEM	QTY.	PART NUMBER	DESCRIPTION
1	1	6770-P	FRAME WELD, 2-5154, IPTS
2	2	295-P	IDLER PLATE WELDMENT, 5154
3*	8	292-P	WHEEL, IDLER, 6" W/ 3/4" BRG
4	16	15-P	COLLAR, 3/4" ID
5	16	55-P	WASHER, 3/4 SAE FL 1-1/2 OD
6	2	301-P	IDLER SHAFT, 3/4" X 38" 5154
7	2	295CPT-P	IDLER PLATE CPT, 1-5154
8	6	1657-P	3/8 - 16 X 3/4 HHCS GR 2 STL
9	6	1474-P	WASHER, 3/8 SPLIT LOCK
10	1	<b>SEE MOTOR CHART BELOW</b>	
11	1	6750-P	SPEED REDUCER, 5154 20:1 IPTS
12	4	35-P	5/16 - 18 X 1 HHCS GR 2
13	4	1570-P	WASHER, 5/16 USS 7/8 OD
14	2	1665-P	COUPLING BODY HALF, 1" BORE
15*	1	305-P	SPIDER, BUNA N, 5154
16	4	1634-P	NUT, 5/16-18 WHIZ LOCK
17	1	2808-P	COUPLING CPT, 1" TO 1"
18	1	1315-P	3/8 - 16 X 2-3/4 HHCS GR 2 STL

19 *	8	291-P	WHEEL, DRIVE, 6" , 1" BORE
20	10	1464-P	3/8 - 16 X 1-1/4 HHCS GR 2 STL
21	10	1166-P	WASHER, 3/8 USS 1" OD
22	10	1169-P	3/8 - 16 REV HEX LOC NUT
23	5	297-P	BEARING, 1" PILLOW BLOCK
24	4	213-P	DRIVE SCREW, #7 X 5/16"
25	2	217-P	GROUNDING STRAP, 5154, 201
26	1	299-2P	DRIVE SHAFT, 1" X 79", 2-5154
27	1	736-P	KEY, WOODRUFF, SIZE 15, ASA808
28	1	1326-P	KEY, SQUARE, 3/16 X 1"
30 *	8	1875-P	BEARING, 3/4" ID, 6" WHEEL

\* Recommended spare parts

**MOTOR**

ITEM	DRUM ROLLER MODEL NUMBER	QTY.	MOTOR PART NUMBER	DESCRIPTION
10	2-5154-1	1	290-1-2P	MOTOR, 1HP, 1PH, 56C, TEFC
	2-5154-3	1	4733W-P	MOTOR, 1HP, 3PH, INV DUTY
	2-5154-E1	1	290-E1-2P	MOTOR, 1HP, 1PH, 56C, EXP
	2-5154-E1-50	1	290-E1-50-2P	MOTOR, 1HP, 1PH, 56C, 50HZ EXP
	2-5154-E3	1	290-E3-2P	MOTOR, 1HP, 3PH, 56C, EXP
	2-5154-E3-50	1	290-E1-50-2P	MOTOR, 1HP, 3PH, 56C, 50HZ EXP
	2-5154-E3-575	1	290-E585-2P	MOTOR, 1HP, 3PH, 56C, 575V EXP
	2-5154-A	1	290-A-2P	MOTOR, AIR 2HP, 56C



**IDLER PLATE**

ITEM	QTY.	PART NUMBER	DESCRIPTION
-	1	295CPT-P	IDLER PLATE CPT, 1-5154
1	1	295-P	IDLER PLATE WELD, 5154
2	1	301-P	IDLER SHAFT, 3/4" X 38" 5154
3	1	1000-P	SET SCREW, 1/4-20 X 1/4
4	8	15-P	COLLAR, 3/4" ID
5	4	292-P	WHEEL, IDLER, 6" W/ 3/4" BRG