

201B SERIES Roller – SHEAVES & SPROCKETS

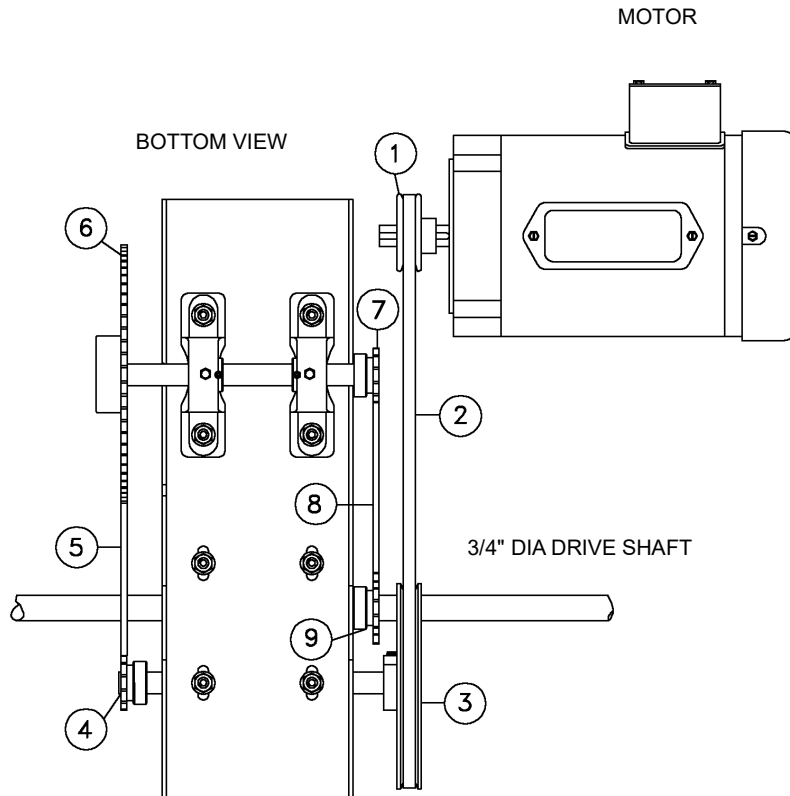
ITEM	MOTOR	RPM	PART	DESCRIPTION
1	AC	20	2937-P	SHEAVE, 2" X 5/8 BORE, 201B
1	AC	VS	191-P	SHEAVE, 3-1/4 X 5/8, 201BVS
1	AIR	20	2936-P	SHEAVE, 2" X 1/2 BORE, 201B AIR
1	AIR	VS	191-C-P	SHEAVE, 3-1/4 X 1/2, 201BVS AIR
3	AC, AIR	20	2938-P	SHEAVE, 6" X 5/8 BORE, 201B
3	AC, AIR	VS	191-A-P	SHEAVE, 6" X 5/8 BORE, 201BVS
4	AC, AIR	VS	2543-P	SPROCKET #35 10T, 5/8" BORE
4	AC, AIR	20	2544-P	SPROCKET #35 12T, 5/8" BORE
6	AC, AIR	VS	2549-P	SPROCKET #35 60T, 5/8" BORE
6	AC, AIR	20	2547-P	SPROCKET #35 36T, 5/8" BORE
7	AC, AIR	20	5886-P	SPROCKET #40 10T, 5/8" BORE
9	AC, AIR	20, VS	5820-P	SPROCKET #40 16T, 3/4" BORE

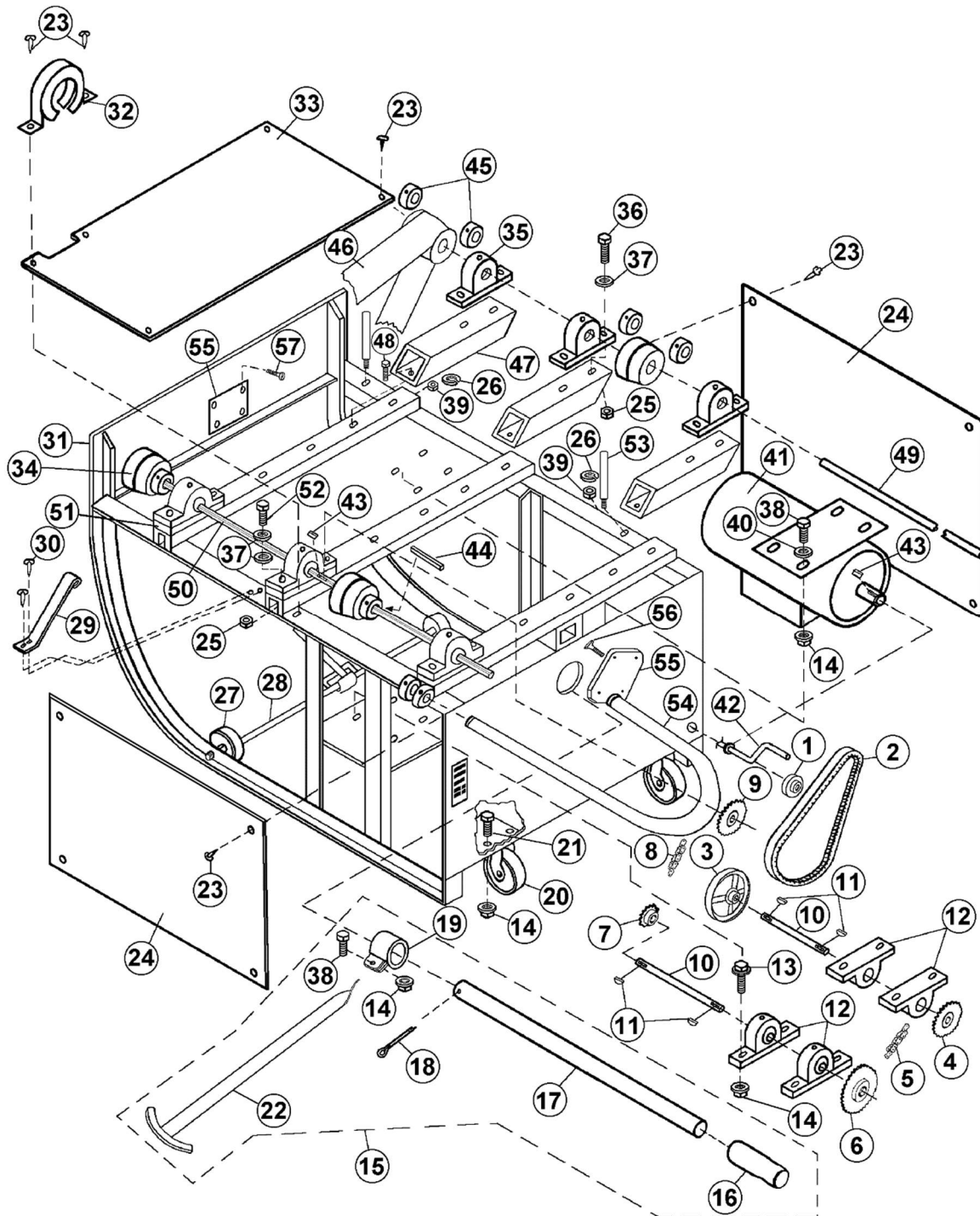
201B SERIES Roller- BELTS & CHAINS

ITEM	RPM	OFFSET LINK	PART	DESCRIPTION
2	20	-	2939-P	VEE BELT, COG, 201B
2	VS	-	191B-P	VEE BELT, B SECTION, 201BVS
5	VS	-	2949-P	CHAIN, ROLLER, #35 78 PITCH
5	20	-	2950-P	CHAIN, ROLLER, #35 66 PITCH
8	20	-	5887-P	CHAIN, ROLLER, #40, 201/20
8	VS	6151-P	5888-P	CHAIN, ROLLER, #40, 201VS

\* Recommended spare parts

Note: DIAGRAM DEPICTS 20 RPM CONFIGURATION (VS NOT SHOWN)





ITEM	SERIES	MODEL SUFFIX	QTY.	PART	DESCRIPTION
10			2	194-P	JACK SHAFT, 201, 305 SERIES
11			4	735-P	KEY, WOODRUFF, SIZE 9, ASA606
12			4	5583-P	BEARING, 5/8" PILLOW BLOCK
13			8	4003-P	BOLT, 3/8-16 X 1-1/4 WHIZ
14			12	4002-P	NUT, 3/8-16 WHIZ LOCK
15			1	328-P	TIPPING LEVER CPT, 201B
16			1	83-P	HANDLE GRIP, 1-1/4 X 4-1/2
17			1	5898-P	HANDLE TUBE, 201 TIPPING LEVER
18			1	163-P	COTTER PIN, 3/16" X 2"
19			1	2694-P	HOOK SLIDE WELDMENT, 201B
20			2	198-P	CASTER 3" 14, 34, 201
21			8	1317-P	1/4 - 20 X 1/2" CARRIAGE BOLT
22			1	2696-P	HOOK LEVER WELD, 201B
23			6	193-P	SCREW, TEK, 12-14 X 3/4 3 PT
24			2	6008-P	SIDE PLATE, POLY, 201
25			13	1169-P	3/8 - 16 REV HEX LOC NUT
26			10	1474-P	WASHER, 3/8 SPLIT LOCK
27			2	210-P	WHEEL, MORTUF, 3" 1/2" BORE
28			1	5875-P	AXLE/ KICK STAND ASM, 201
29			1	217-P	GROUNDING STRAP, 5154, 201
30			2	213-P	DRIVE SCREW, #7 X 5/16"
31			1	190BW-P	BASE FRAME WELD, 201B
32			1	5773-P	GUARD, CHAIN, 201, 40 PITCH
33			1	6066-P	TOP PLATE, POLY, 201
34			4	5819-P	PULLEY, CROWNED, UHMW, 201B
35			6	185-P	BEARING, 3/4" PILLOW BLOCK 201
36			6	535-P	HHCS, 3/8-16 X 1-1/4 GR 5 ZINC
37			18	1166-P	WASHER, 3/8 USS
38			5	35-P	5/16 - 18 X 1 HHCS GR 2
39			8	149-P	NUT, 3/8-16 FIN HEX
40			4	1570-P	WASHER, 5/16 USS
41		-1	1	228-1-P	MOTOR, 1/2HP, RB, 1PH, TEFC
41		-3	1	228-3-P	MOTOR, 1/2HP, RB, 3PH, TEFC
41		-E1	1	228-E1-P	MOTOR, 1/2HP, RB, 1PH, EXP
41		-E3	1	228-E3-P	MOTOR, 1/2HP, RB, 3PH, EXP
41		-A	1	228-A-P	MOTOR, AIR, RB, 201, 305
41		-1-50	1	228-1-50-P	MOTOR, 1/2HP, 1PH RB TEFC 50HZ
41		-3-50	1	228-3-50-P	MOTOR, 1/2HP, 3PH RB TEFC 50HZ
41		-575	1	228-575-P	MOTOR, 1/2HP, 3PH RB TEFC 575V
41		-E1-50	1	290-E1-50-P	MOTOR, 1/2HP, 1PH 56C 50HZ EXP
41		-E3-50	1	228-E3-50-P	MOTOR, 1/2HP, 3PH, RB 50HZ EXP
41		-575	1	228-E575-P	MOTOR, 1/2HP, 3PH, RB 575V EXP
42	201BVS		1	2532-P	SPEED ADJUSTER ASM, 201BVS
43			1	1326-P	KEY, SQUARE, 3/16 X 1"
44			2	581-P	KEY, SQUARE, 3/16 X 3-1/2 201B
45			8	15-P	COLLAR, 3/4" ID
46 *			2	246-P	BELT, ENDLESS, 2-1/2", 201B

47			3	184A-P	SPACER TUBE, IDLER BRG 201B
48			6	1572-P	HHCS, 3/8-16 X 1 GR2
49			1	6026-P	IDLER SHAFT 3/4", 201
50			1	197BD-P	DRIVE SHAFT 3/4" X 28.5" 201B
51			3	1851-P	BEARING SHIM, 201B SERIES
52			6	155-P	HHCS, 3/8-16 X 2-1/2 GR2
53			2	1856-P	GUIDE, BELT POST, 201B
54			1	309-P	DRUM POSITIONER, REAR CPT 201B
55			2	327-P	WEAR PAD, UHMW, TIVAR, 201B
56			4	248-P	FHMS, 10-24 X 3/8
57			4	4170-P	FHMS, SLOTTED, 10-24 X 1/2
58			8	6009-P	SCREW, 12-24 X 7/8 4 PT 201

\* Recommended spare parts

\*\* Unless otherwise specified, parts are for 201B and 201BVS Series.