

MORSE 285 SERIES FORK LIFT-KARRIER

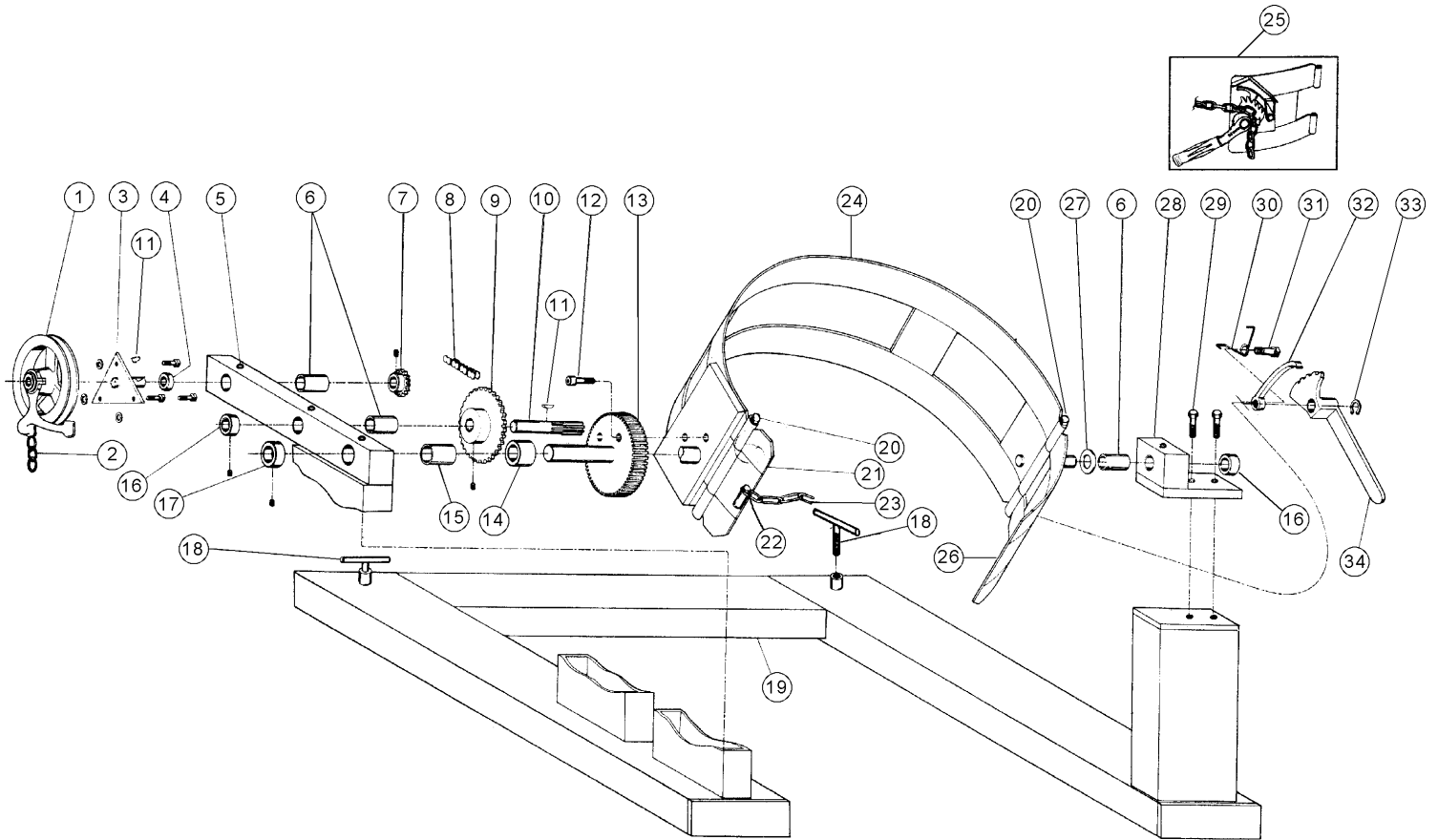
Serial Number 0000 to 0881

ITEM	LETTER SUFFIX*	QTY	P/N	DESCRIPTION
1		1	1-P	CHAIN WHEEL #1-1/2 W/ GUIDE
2		1	2-285-P	PULL CHAIN, 1/0, 20' LENGTH
3		1	3-P	TRIANGLE & SHAFT W/ BOLTS
4		1	4-P	SPACER, CHAIN WHEEL, PRE 19-P
5		4	33-P	ALEMITE GREASE FIT
6		3	7-P	BEARING, 3/4" ID X 1-1/2"
7		1	11-P	SPROCKET, #35 12T, 3/4" BORE
8		1	12-P	CHAIN, ROLLER, #35 W/ MLINK
9		1	13-P	SPROCKET #35 36T, 3/4" BORE
10		1	14-P	GEAR, PINION, 7 TOOTH
11		2	735-P	KEY, WOODRUFF, SIZE 9, ASA606
12		2	22-P	3/8 - 24 x 5/8" SHCS
13		1	23-P	GEAR, SPUR, 72T, 1" HOLE
14		1	24-P	SPACER, SPUR GEAR 1-1/16"
15		1	9-P	BEARING, 1" ID 1-1/2" LONG
16		2	15-P	COLLAR, 3/4" ID
17		1	16-P	COLLAR, 1" ID
18		2	58-P	LOCK TEE SET SCREW, 285
19	A	1	50A-P	** BASE FRAME, 285A
19	B	1	50B-P	** BASE FRAME, 285B
20		2	157-P	HINGE PIN & NUTS, 3/8
21		1	150-P	CHAIN HINGE PLT, 285 TYPE
22		1	155-P	3/8 - 16 X 2-1/2 HHCS GR 2
23		1	180-P	CHAIN, CINCH, 3/16 ALLOY 33 LK
24	A	1	1427A-P	SADDLE CPT 285A, LONG IDLER
24	B	1	1427B-P	** SADDLE CPT 285B LONG IDLER
25		1	159-PC	RATCHET HINGE PLATE CPT, 3/8"
26		1	159-P	RATCHET HINGE PLATE ONLY, 3/8"
27		1	55-P	WASHER, 3/4 SAE FL
28		1	56-P	** BEARING BLOCK 285
29		2	57-P	BEARING BLOCK BOLTS
30		1	169-P	PAWL SPRING
31		1	170-P	3/8" DIA X 5/8" SHOULDER SCREW
32		1	168-P	PAWL, WITH DRILLED HOLE
33		1	166-P	SNAP RING, EXTERNAL, 5SSC-P 82
34		1	165-P	RATCHET, MALLEABLE, FOR SADDLE

* UNLESS OTHERWISE SPECIFIED, PARTS ARE FOR MODELS 285A & 285B.

** DISCONTINUED AND ARE NO LONGER AVAILABLE.
CONTACT FACTORY FOR RECOMMENDED REPLACEMENT.

PARTS LIST for 285 Series Fork Lift-Karriers
Serial # 0000 to 0881



For replacement parts, please contact your Morse dealer.

When ordering parts, please specify:

- Part number and description,
- Model number
- Serial number

Find model number and serial number on metal name plate attached to frame.