

PARTS LIST FOR 285 SERIES FORK LIFT-KARRIERS

Serial Number 0487 to 0693 (MMYY)

ITEM	MODEL SUFFIX *	QTY	P/N	DESCRIPTION
1		1	1-P	CHAIN WHEEL #1-1/2 W/ GUIDE
2		20	2-P	PULL CHAIN, 1/0, PER FT
3		1	2-285-P	PULL CHAIN, 1/0, 20' LENGTH
4		1	3-P	TRIANGLE & SHAFT W/ BOLTS
5		2	735-P	KEY, WOODRUFF, SIZE 9, ASA606
6		3	35-P	5/16 - 18 X 1 HHCS GR 2
7		1	19-P	BEARING, 3/4" ID X 2-1/2"
8		1	15-P	COLLAR, 3/4" ID
9		1	16-P	COLLAR, 1" ID
10		1	7-P	BEARING, 3/4" ID X 1-1/2"
11		1	18-P	BEARING, 1" ID X 2-1/2"
12		3	33-P	ALEMITE GREASE FIT
13		2	55-P	WASHER, 3/4 SAE FL
14		1	11-P	SPROCKET, #35 12T, 3/4" BORE
15		1	29-P	SPACER, SPUR GEAR .15"
16	A	1	755A-P	BASE FRAME 285A W/BRG
16	B	1	755B-P	** BASE WELD, 285B
17		1	795-P	LINK, MASTER, #35 CHAIN
18		1	12-P	CHAIN, ROLLER, #35 W/ M LINK
19		1	13-P	SPROCKET #35 36T, 3/4" BORE
20		2	22-P	3/8 - 24 x 5/8" SHCS
21		1	14-P	GEAR, PINION, 7 TOOTH
22		1	23-P	GEAR, SPUR, 72T, 1" HOLE
23		1	155-P	3/8 - 16 X 2-1/2 HHCS GR 2
24		1	180-P	CHAIN, CINCH, 3/16 ALLOY 33 LK
25		2	58-P	LOCK TEE SET SCREW, 285
26	A	1	725A-P	SADDLE ASM, 285A, 400
26	B	1	725B-P	** SADDLE ASM, 285B
27	A	1	730A-P	SADDLE WELD, 285A, 400
27	B	1	730B-P	** SADDLE WELD, 285B
28		1	731-P	RATCHET HINGE PLATE ONLY 1/4 A
29		1	720-P	HINGE BOLT & NUT, 1/4"
30		1	64-P	ROLL PIN, 3/16 X 1-1/4
31		1	136-P	HANDLE GRIP, 7/8" X 4-3/4"
32		1	168-P	PAWL, WITH DRILLED HOLE
33		1	169-P	PAWL SPRING
34		1	170-P	3/8" DIA X 5/8" SHOULDER SCREW
35		1	710-P	RETAINER, RATCHET PUSH ON 3/4"
36		1	165-P	RATCHET, MALLEABLE, FOR SADDLE
37		1	165KIT-P	KIT, RATCHET CHAIN TIGHTENER
38		1	726-P	RATCHET HINGE PLATE CPT 1/4" A

* UNLESS OTHERWISE SPECIFIED, PARTS ARE FOR MODELS 285A & 285B.

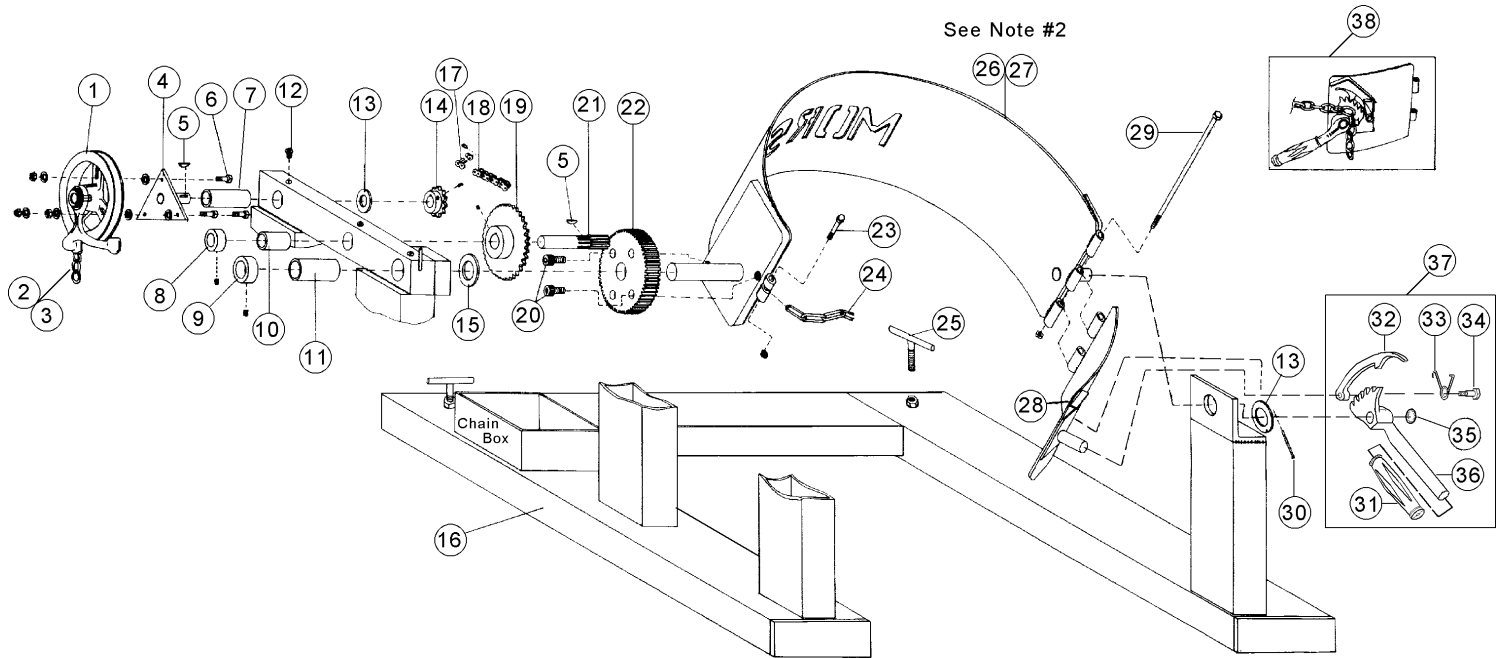
"Saddle assembly" includes the saddle weldment and appropriate attached moving parts, such as 23, 24, 29 & 38.

"Saddle Weldment" has no attached moving parts.

** DISCONTINUED AND NO LONGER AVAILABLE. CONTACT FACTORY FOR RECOMMENDED REPLACEMENT.

PARTS LIST for 285 Series Fork Lift-Karriers

Serial # 0487 to 0693 (MMYY)



For replacement parts, please contact your Morse dealer.

When ordering parts, please specify:

- Part number and description,
- Model number
- Serial number

Find model number and serial number on metal name plate attached to frame.