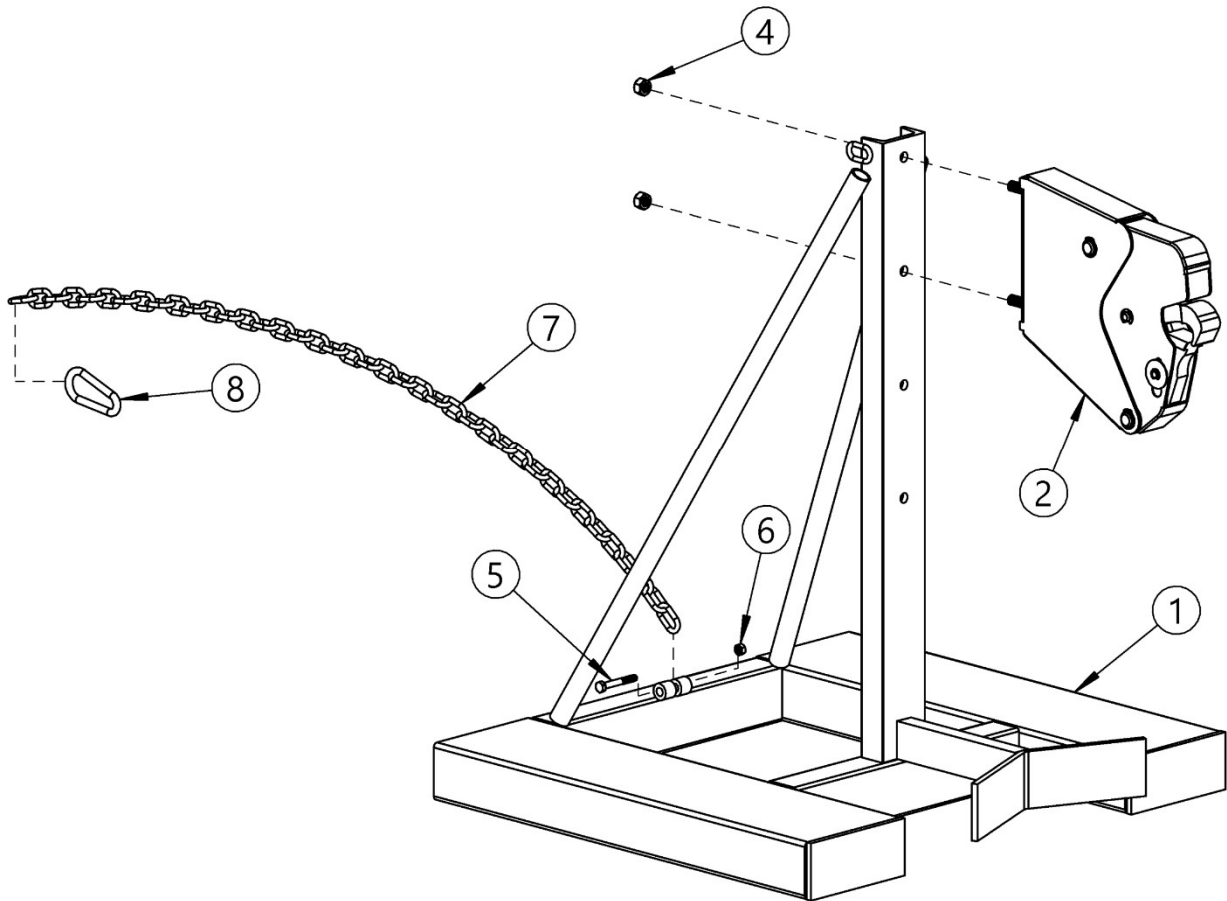


Model 286M-1

Fork Mount Drum Handler, Spark Resistant

SN 0816 to Current (MMYY) or 400000 to Current



ITEM	QTY	PART	DESCRIPTION
1	1	5716M-P	BASE WELD, 286M-1
2	1	3360M-P	LIGHT DUTY HEAD ASM, SR, 82HM
3	2	1644-P	WASHER, 1/2 SPLIT LOCK
4	2	91-P	NUT, 1/2-13 FIN HEX
5	1	4079-P	HHCS, M8 X 60 MM CL8.8, 8MM
6	1	4081-P	NUT, M8 ESNA, 8MM
7	1	2162-P	CHAIN, 1/4" PROOF COIL, 4 FT
8	1	5713-P	CARABINER, 7/16 OPENING, 286M-1