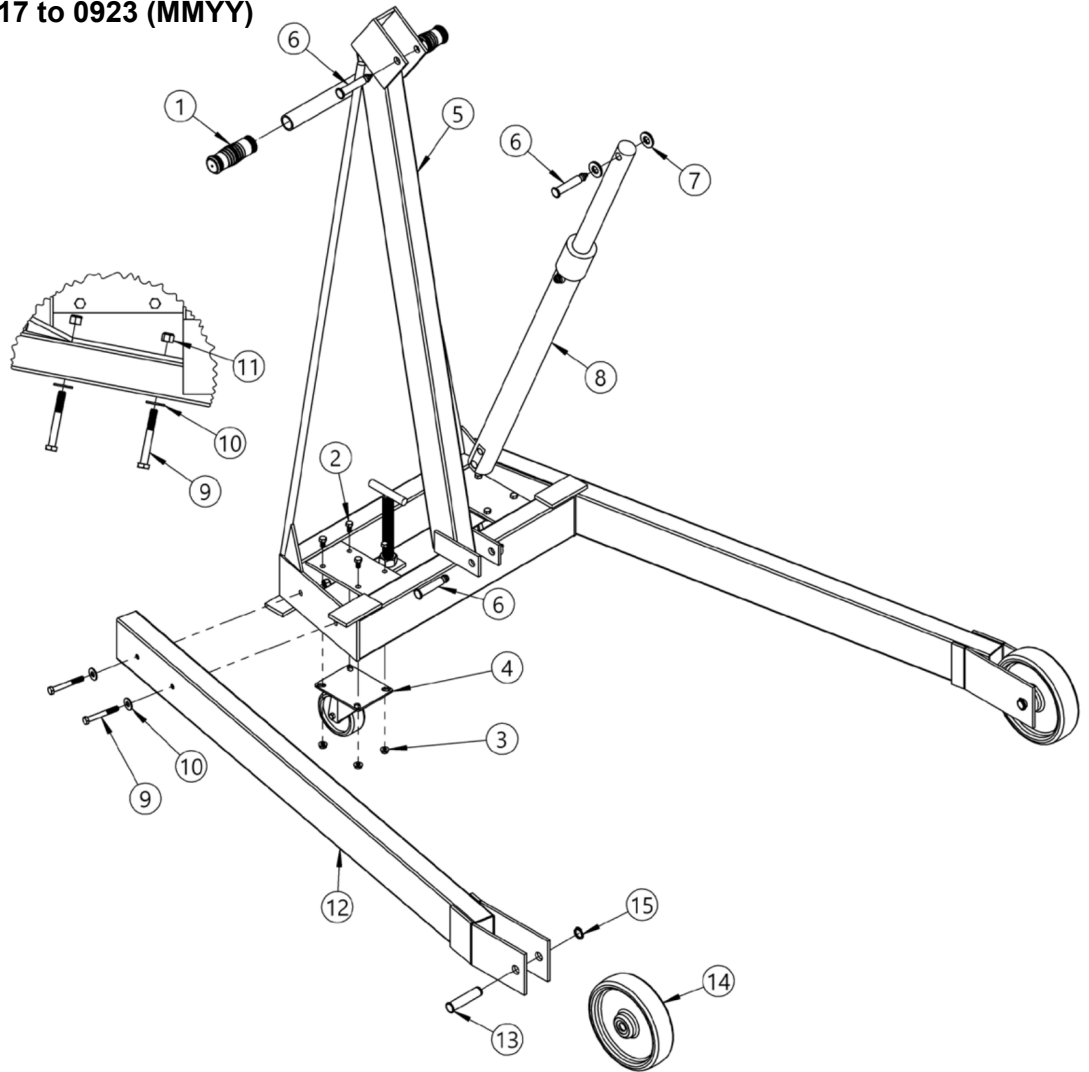


Parts List and Diagram for Morse # 400-60ML Base Assembly
Used on Morse 400 Series 72" Lift Hydra-Lift Karriers with Manual Lift
with 6-Digit Serial Number 400000 to 417156
or 4-Digit Serial Number 0217 to 0923 (MMYY)

IMPORTANT NOTE

4-Digit serial numbers are simply the month & year of manufacture

Example: 0802 is August 2002



| ITEM NO. | PART NUMBER | DESCRIPTION | QTY. |
|----------|-------------|--------------------------------|------|
| 1 | 83-P | GRIP, HANDLE, 1-1/4 X 4-1/2 | 2 |
| 2 | 215-P | HHCS, 5/16-18 X 5/8 GR2 | 8 |
| 3 | 1634-P | NUT, 5/16-18 WHIZ LOCK | 8 |
| 4 | 3308-P | CASTER, 4" SWIVEL, DBL RACE | 2 |
| 5 | 135W-P | TOWER WELD, DC, 400A-60, 72 | 1 |
| 6 | 6061-P | PIN, CLEVIS, 400, GREASE FIT | 3 |
| 7 | 17-P | WASHER, 5/8 SAE FL 1-5/16 OD | 4 |
| 8 | 783-P | CYLINDER, 1.5 X 22.625, V FUSE | 1 |
| 9 | 1521-P | HHCS, 3/8-16 X 3 GR5 | 4 |
| 10 | 1166-P | WASHER, 3/8 USS 1" OD, ZINC | 4 |
| 11 | 3981-P | NUT, 3/8-16 NYLON LOCK | 4 |
| 12 | 134-P | LEG WELD, 400A-72, 60 | 2 |
| 13 | 5329-P | PIN, GROOVE, 3/4 X 3.10 | 2 |
| 14 | 87-P | WHEEL, MORTUF, 8", 3/4" BRG | 2 |
| 15 | 5330-P | SNAP RING, EXT, HD, .078, 3/4" | 2 |