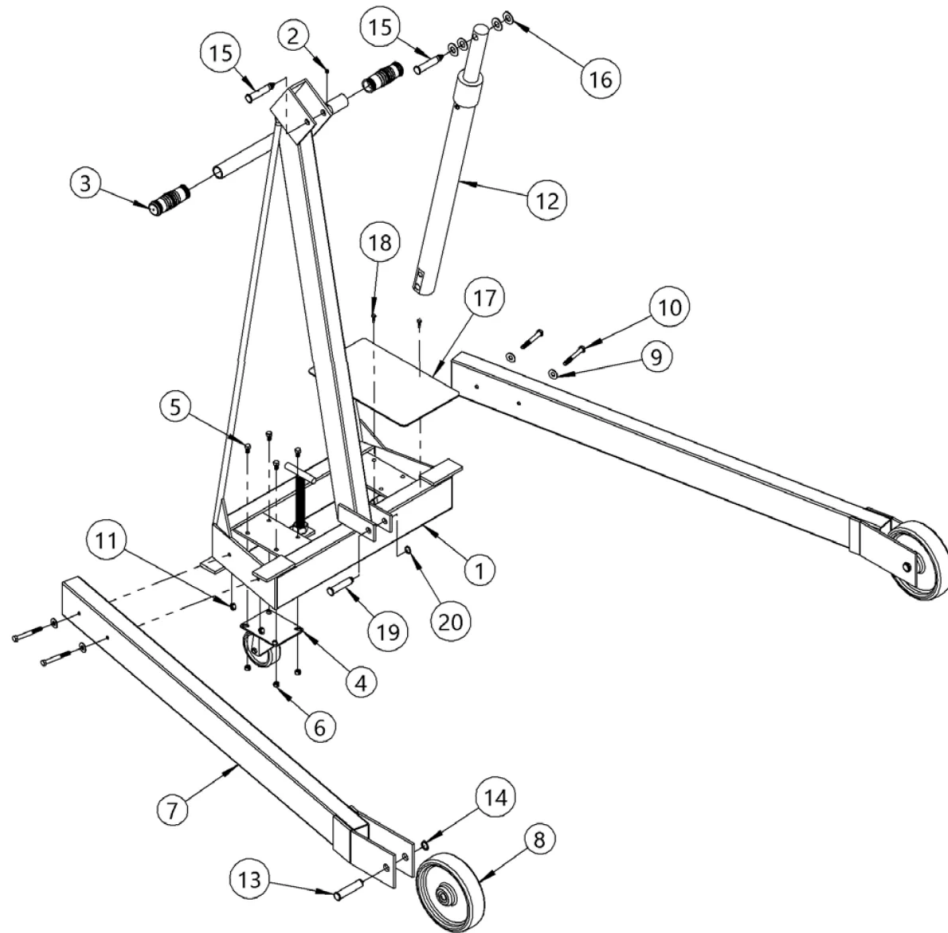


Parts Diagram for Base Assembly of Morse Omni-Lift Karrier 405 Series with Battery Power Lift
with 6-Digit Serial Number 415103 to _____



ITEM NO.	PART NUMBER	DESCRIPTION	QTY.
1	135-P	ASM, TOWER, 400A-60 72 CASTERS	1
2	1005-P	SET SCREW, 5/16-18 X 3/8 KNURL	1
3	83-P	GRIP, HANDLE, 1-1/4 X 4-1/2	2
4 *	3308-P	CASTER, 4" SWIVEL, DBL RACE	2
5	35-P	HHCS, 5/16-18 X 1 GR2	8
6	1634-P	NUT, 5/16-18 WHIZ LOCK	8
7	134-84-P	LEG WELD, 400A-84, 96, 405	2
8 *	87-P	WHEEL, MORTUF, 8", 3/4" BRG	2
9	1166-P	WASHER, 3/8 USS 1" OD	4
10	1521-P	HHCS, 3/8-16 X 3 GR5	4
11	3981-P	NUT, 3/8-16 NYLON LOCK	4
12	783K-P	CYLINDER, 1.5 X 22.625 SAE KFP	1
13 *	5329-P	PIN, GROOVE, 3/4 X 3.10	2
14 *	5330-P	SNAP RING, EXT, HD, .078, 3/4"	2
15	6061-P	PIN, CLEVIS, 400, GREASE FIT	2
16	17-P	WASHER, 5/8 SAE FL 1-5/16 OD	4
17	1726-P	PLATE, BATTERY MOUNT, -125	1
18	193-P	SCREW, TEK, 12-14 X 3/4 3 PT	2
19	5348-P	PIN, GROOVE, 5/8 X 2.625	1
20	5347-P	SNAP RING, EXT, HD, .05, 5/8"	1

* Recommended spare parts