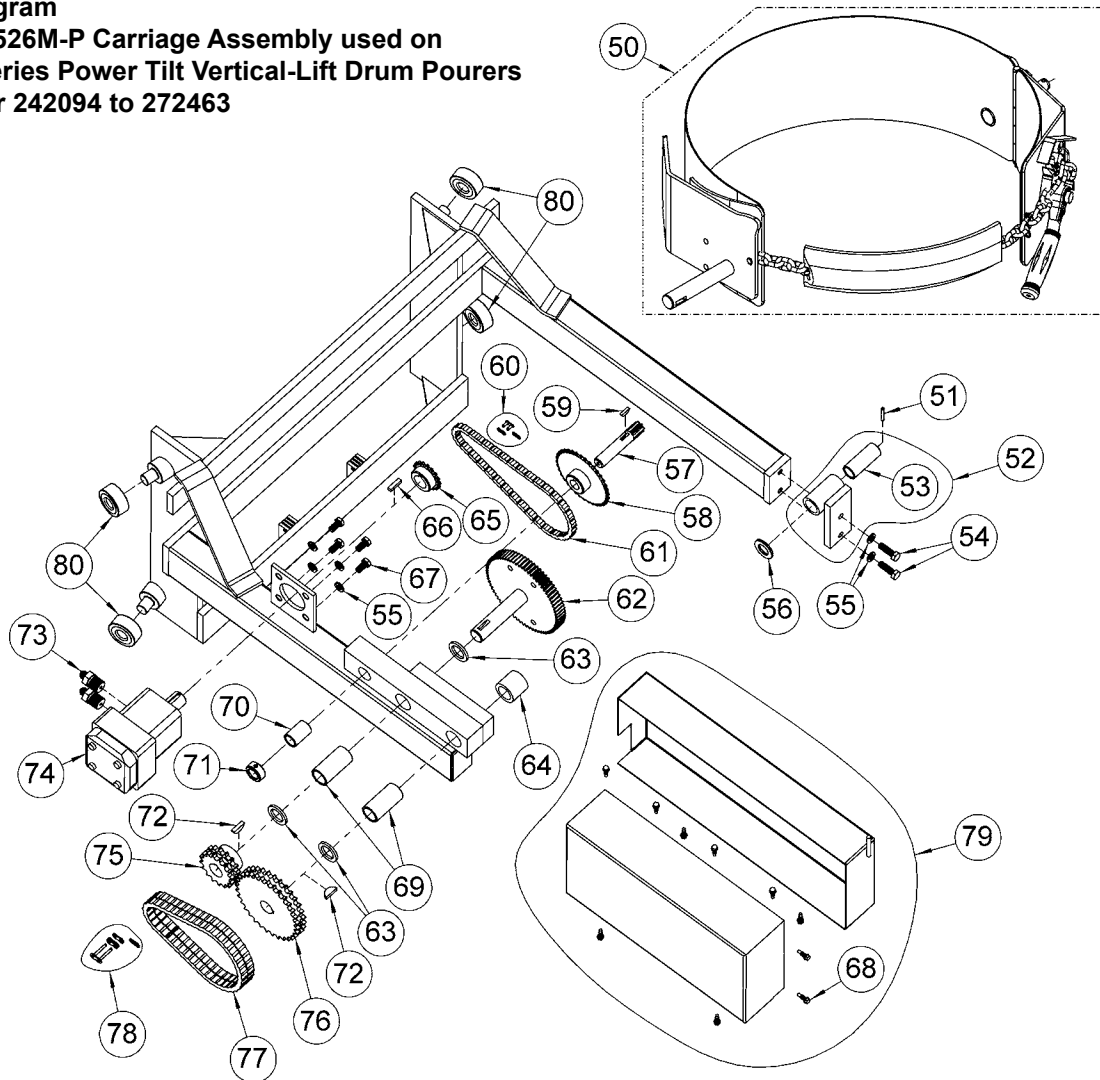


Parts List and Diagram

for Morse Part # 4526M-P Carriage Assembly used on 510M and 520M Series Power Tilt Vertical-Lift Drum Pourers with Serial number 242094 to 272463



| ITEM | QTY. | PART # | DESCRIPTION |
|------|------|---------|--------------------------------|
| 50 | 1 | 5000M-P | SADDLE ASM, MORCINCH, MOR, SR |
| 51* | 1 | 64-P | ROLL PIN, 3/16 X 1-1/4 |
| 52* | 1 | 3849B-P | BEARING BLOCK, SLIDING IDLER |
| 53 | 1 | 19-P | BEARING, 3/4" ID X 2-1/2" |
| 54 | 2 | 535-P | HHCS, 3/8-16 X 1-1/4 GR5 |
| 55 | 6 | 1474-P | WASHER, 3/8 SPLIT LOCK |
| 56 | 1 | 55-P | WASHER, 3/4 SAE FL 1-1/2 OD |
| 57* | 1 | 14-P | GEAR, PINION, 7 TOOTH |
| 58* | 1 | 13-P | SPROCKET #35 36T, 3/4" BORE |
| 59* | 1 | 735-P | KEY, WOODRUFF, SIZE 9, ASA606 |
| 60 | 1 | 795-P | LINK, MASTER, #35 CHAIN |
| 61* | 1 | 12-P | CHAIN, ROLLER, #35 W/ M LINK |
| 62* | 1 | 27-P | SPUR GEAR W/ 1" SHAFT, HD TYPE |
| 63 | 3 | 29-P | SPACER, SPUR GEAR .15" |
| 64 | 1 | 4372-P | SPACER, HD DRIVE SHAFT 1.4" |
| 65* | 1 | 1116-P | SPROCKET #35 17T, 1" BORE |

| ITEM | QTY. | PART # | DESCRIPTION |
|------|------|--------|--------------------------------|
| 66* | 1 | 2656-P | KEY, SQUARE, 1/4 X 1" |
| 67 | 4 | 1657-P | HHCS, 3/8-16 X 3/4 GR2 |
| 68* | 10 | 193-P | SCREW, TEK, 12-14 X 3/4" 3 PT |
| 69* | 2 | 18-P | BEARING, 1" ID X 2-1/2" |
| 70* | 1 | 7-P | BEARING, 3/4" ID X 1-1/2" |
| 71 | 1 | 15-P | COLLAR, 3/4" ID |
| 72* | 2 | 736-P | KEY, WOODRUFF, SIZE 15, ASA808 |
| 73 | 2 | 2120-P | HYD FIT, MALE CONNECTOR, 400 |
| 74 | 1 | 351-P | MOTOR, HYDRAULIC HYD, 400, 456 |
| 75* | 1 | 30-P | SPROCKET #40D 16T, 1" BORE |
| 76* | 1 | 32-P | SPROCKET #40D 32T, 1" BORE |
| 77* | 1 | 31-P | CHAIN, ROLLER, #40D W/ M. LINK |
| 78 | 1 | 796-P | LINK, MASTER, #40D CHAIN |
| 79 | 1 | 1049-P | KIT, SQ COVER, 400 PT |
| 80* | 4 | 5208-P | BEARING, 3/4 ID, SEALED |

* Recommended spare parts.