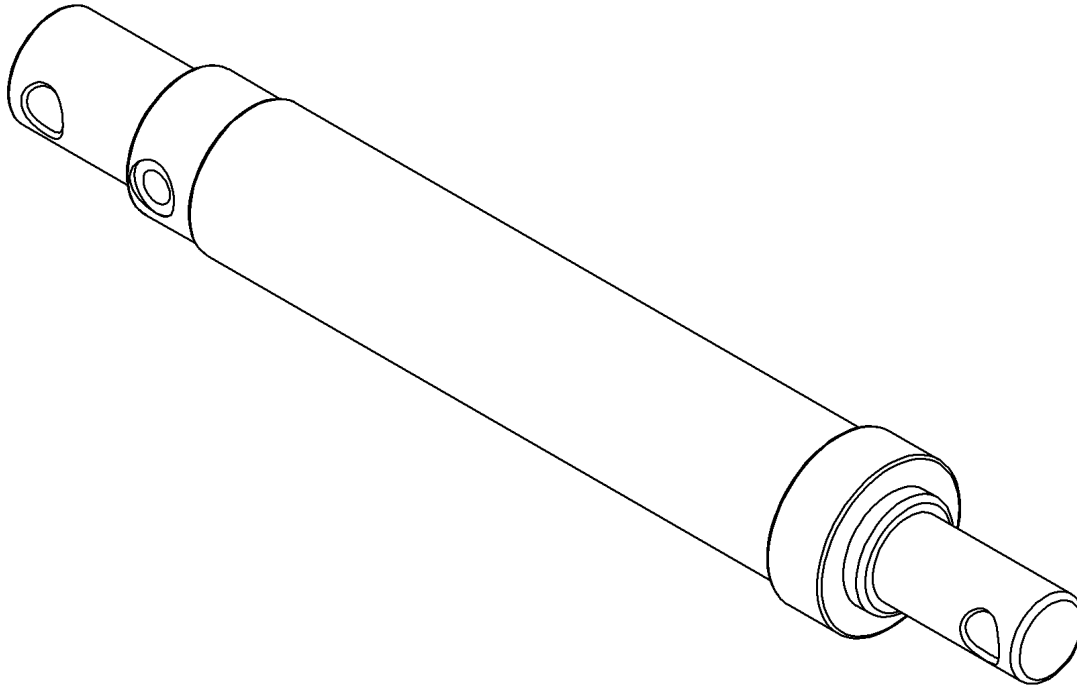


Used on

- 310 Series Tilt-to-Load Drum Tumblers with serial number 236553 to Current



QTY	PART	DESCRIPTION
1	4572-P	CYLINDER, 2 X 10.5, 310
1	4963-P	KIT, SEAL 2" CYL 4572-P
1	5705-P	BLEEDER SCREW, DF CYLINDER (not shown)

Notes:

- Stroke is 10-1/2" (26.7 cm)
- Length Closed: 19-1/2" (49.5 cm) Center to Center
- Length Fully Extended: 30" (76.2 cm) Center to Center