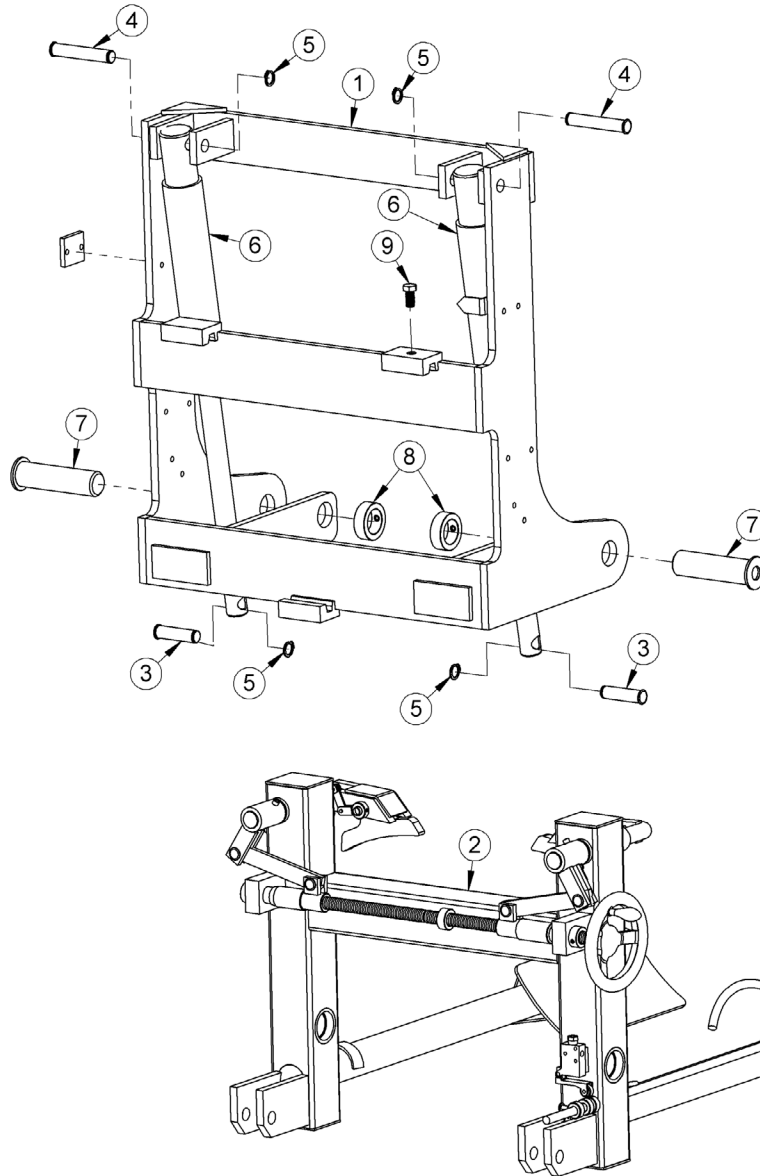
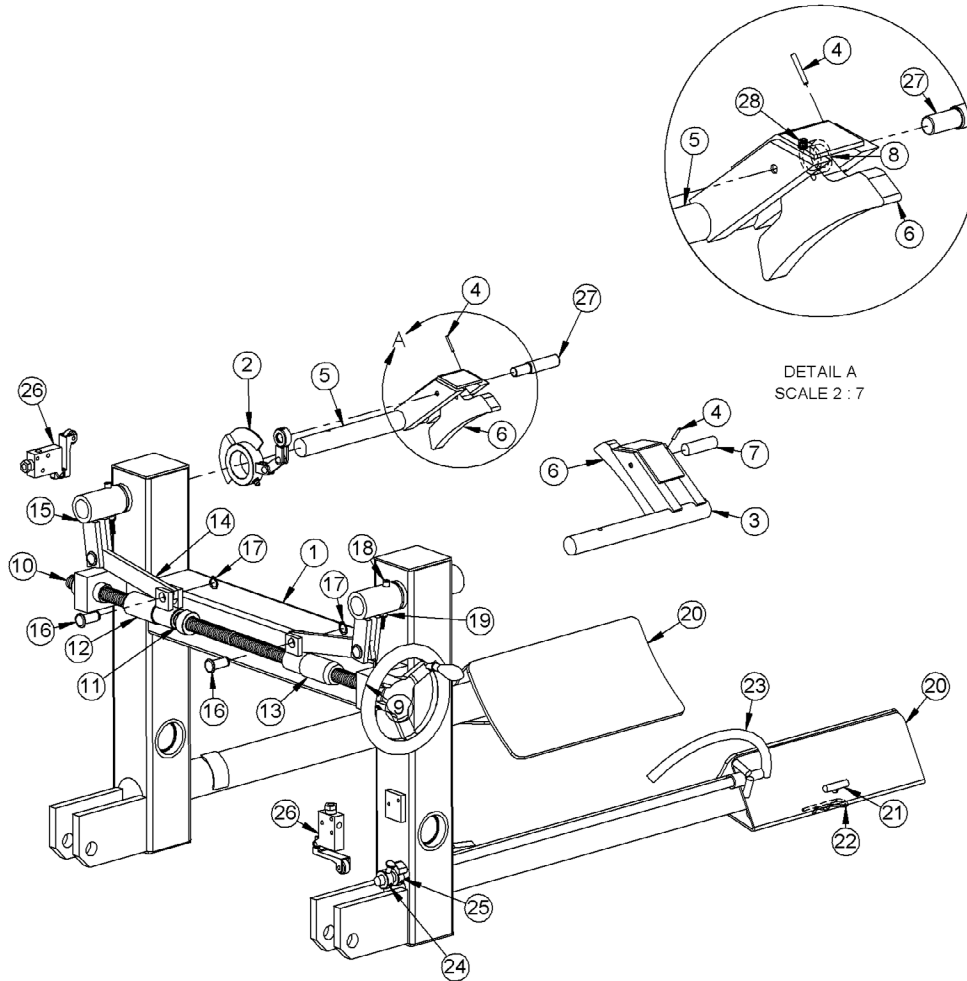


Parts List and Diagram for Morse Part # 5272A-P Yoke Assembly used on Model 611-114 and 620-114 Air Power Lift and Tilt MORStak Drum Rackers with Serial number 271185 to 414046



ITEM NO.	PART NUMBER	DESCRIPTION	QTY.
1	5273-P	YOKE WELD, MORSTAK, ITA2	1
2	3955A-P	DRUM GRAB ASM, AIR MORSTAK 600	1
3	5585-P	PIN, GROOVE, 3/4 X 2.61	2
4	5596-P	PIN, GROOVE, 3/4 X 4.00	2
5	5330-P	SNAP RING, EXT, HD, .078, 3/4"	4
6	5522-P	CYLINDER, 2 X 10, SAE ADJ CLEV	2
7	3048-P	PIN, DRUM GRAB, MORSTAK 600	2
8	570-P	COLLAR, 1-1/2" ID	2
9	4364-P	HHCS, 1/2-13 X 1" GR2	1
10	5595-P	SPACER, 5/16 X 2 X 1.75	1

Parts List and Diagram for Morse Part # 5272A-P Yoke Assembly used on Model 611-114 and 620-114 Air Power Lift and Tilt MORStak Drum Rackers with Serial number 271185 to 414046



ITEM	PART #	DESCRIPTION	QTY.
1	3956A-P	DRUM GRAB WELD, MORSTAK, 600	1
2	4413-P	AIR SWITCH ASM, MORSTAK	1
3	3020A-P	ARM WELD, R CLAMP, MORSTAK 600	1
4	1675-P	ROLL PIN, 1/8 X 7/8	2
5	3022A-P	ARM WELD, L CLAMP, MORSTAK 600	1
6	3023A-P	CLAMP PAD W/ HOLES, 600	2
7	2922-P	PIN, CLAMP PAD RETAINER, 600	1
8	5012-P	SPACER, PIN, LOWER JAW, MS	2
9	2869-P	HANDWHEEL, 6" ALUM, 5/8" BORE	1
10	3964-P	3/4-10 THREADED ROD WELD 600	1
11	15-P	COLLAR, 3/4" ID	3
12	5669W-P	CLEVIS WELD, RH GRAB 611	1
13	5669WL-P	CLEVIS WELD, LH GRAB 611	1
14	3961-P	LINK, DRUM GRAB, 600	2

ITEM	PART #	DESCRIPTION	QTY.
15	3965-P	DRIVEN TUBE WELD, GRAB 600	2
16	5344-P	PIN, GROOVE, 1/2 X 1.031	4
17	5345-P	SNAP RING, EXT, HD, .05, 1/2"	4
18	1040-P	SHCS, 1/4-20 X 2-1/2	2
19	1518-P	NUT, 1/4-20 NYLON LOCK	2
20	3283-P	DRUM PAD WELD, 600	2
21	3282-P	PIN, RETAINER, DRUM PAD, 600	2
22	913-P	HAIR PIN, PIN RETAINER, 287	2
23	2598-P	DRUM PRESENCE WELD, 600	1
24	2602-P	ANCHOR WELD, SPRING RETURN	1
25	2634-P	WELD, LIMIT SWITCH, 600	1
26	5102-P	SWITCH, AIR LIMIT, 611-114	2
27	4416-P	ROUND, 5/8 CR	1
28	1000-P	SET SCREW, 1/4 - 20 X 1/4	1