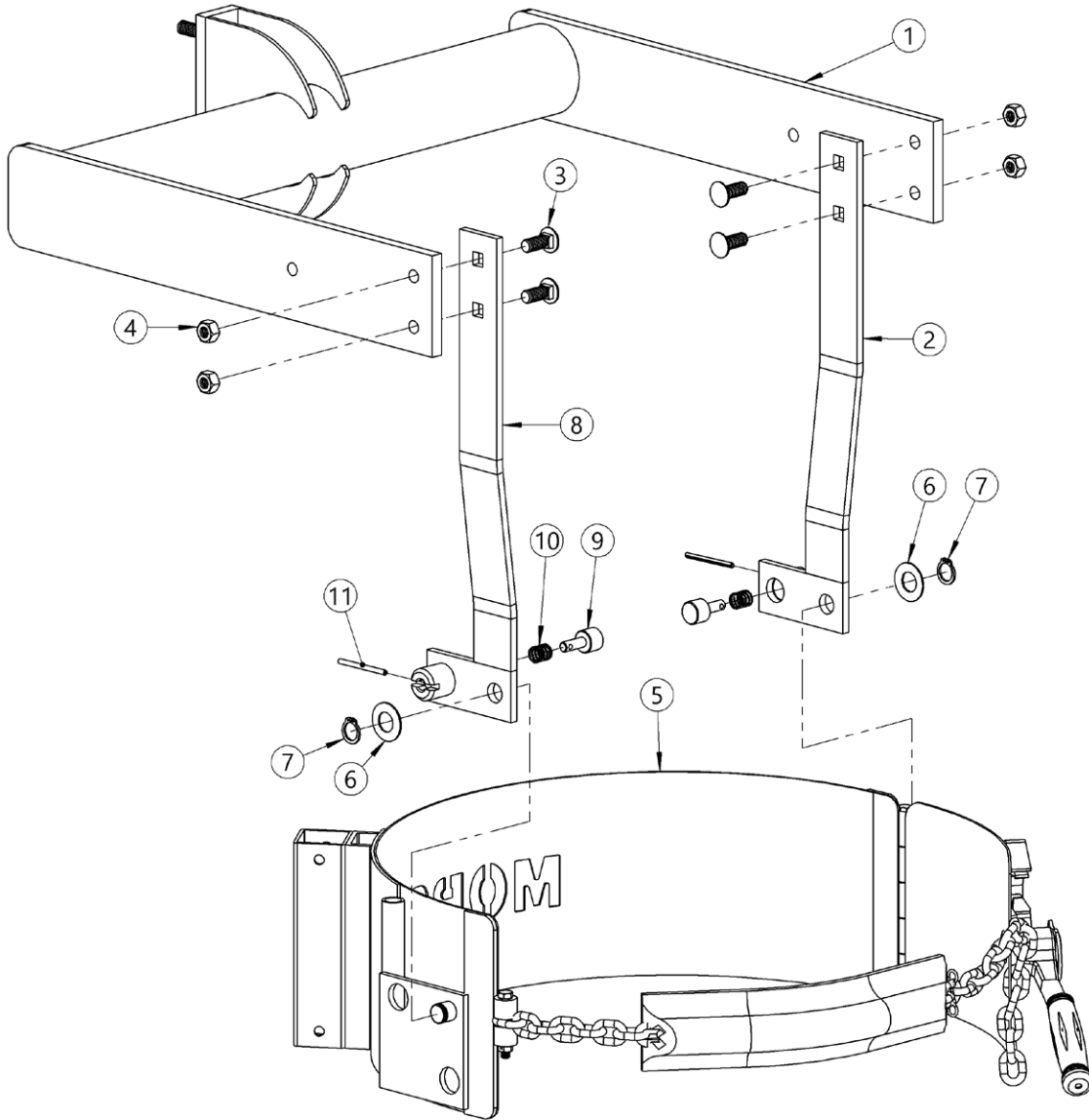


Parts Diagram for Part # 5305-P
Overhead Assembly for Morse 82A Series Mobile-Karrier / Palletizer
Serial Number 1114 to 0515 (MMYY)



ITEM NO.	PART NUMBER	DESCRIPTION	QTY.
1	5051-P	OVERHEAD WELD, 82A, 82GT	1
2	5316-P	LINK WELD LEFT, 82A, GT	1
3	805-P	BOLT, 1/2-13 X 1-1/4 CARRIAGE	4
4	810-P	NUT, 1/2-13 REV HEX LOCK	4
5	101Z-P	SADDLE, 80 82 85 SOCKET TUBE	1
6	62-P	WASHER, 3/4 SPRING	2
7	5330-P	SNAP RING, EXT, HD, .078, 3/4"	2
8	5317-P	LINK WELD RIGHT, 82A, GT	1
9	59-P	PLUNGER, 80, 85	2
10	60-P	SPRING, PLUNGER, 80, 85	2
11	61-P	ROLL PIN, 3/16 X 2-1/2	2