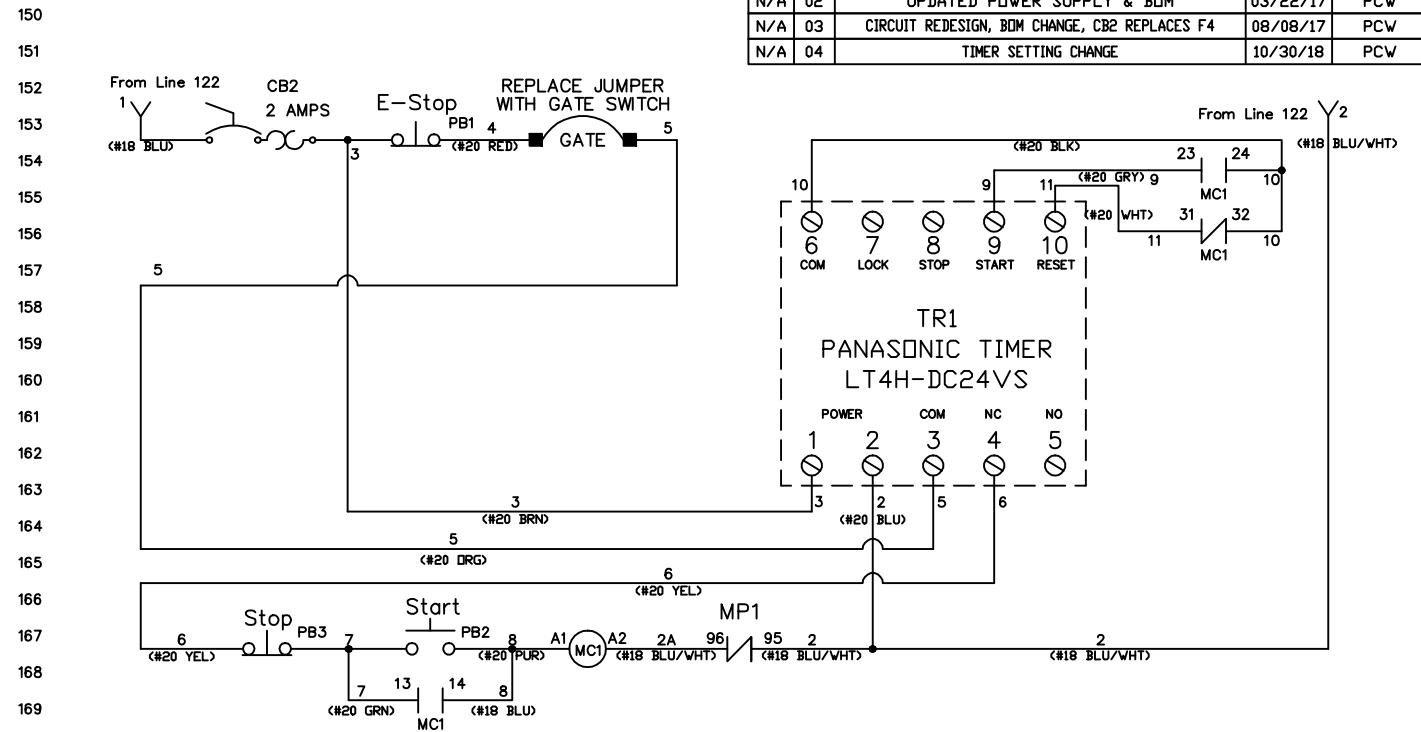
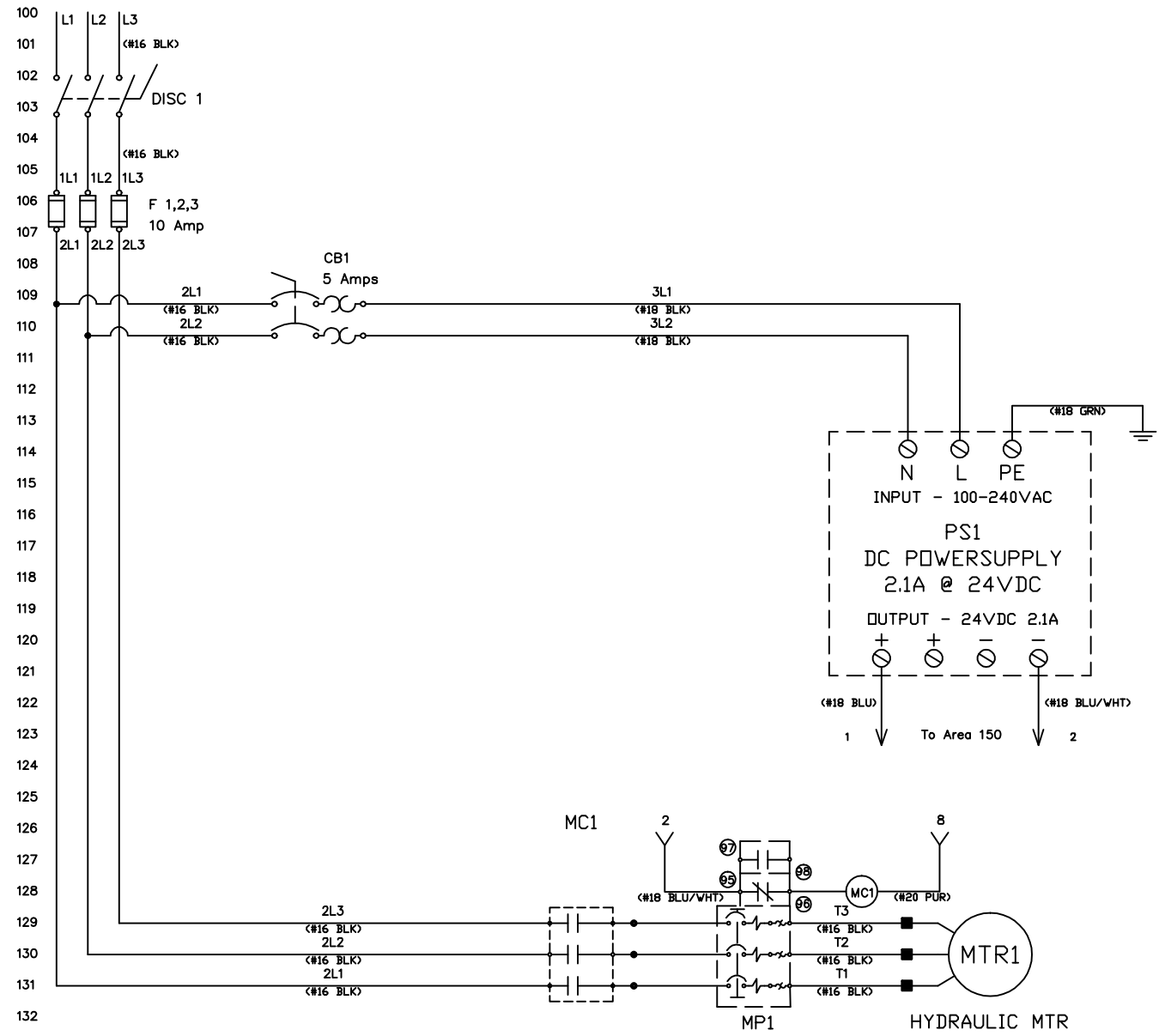
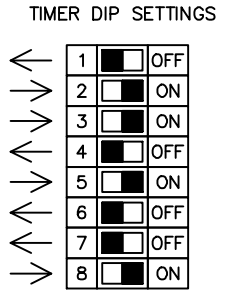


MAINS POWER  
230 VAC 3 PH 50/60HZ  
15 AMP



REV	DESCRIPTION	DATE	APPROVED
01	UPDATED WIRE SIZE/COLOR	12/15/16	PCW
02	UPDATED POWER SUPPLY & BDM	03/22/17	PCW
03	CIRCUIT REDESIGN, BDM CHANGE, CB2 REPLACES F4	08/08/17	PCW
04	TIMER SETTING CHANGE	10/30/18	PCW

MANUFACTURER	PART NUMBER	DESCRIPTION	QUANTITY
Iboco	T1-0510G	WIRE DUCT	1
Electrotech	WR-35AL/S	DIN Rail	1
Eurobox (EXM)	5412 ESCH121206	Enclosure, NEMA 4-12, 12" x 12" x 6"	1
Ferraz Shawmut	ATDR10	Class CC Fuse, 10 Amp, Time Delay	3
McMaster-Carr	5891T111	Electrical Hazard Warning Label	2
Mencom	PCG-1/2X	Cable Gland	1
Mencom	PCG-1/2	Cable Gland	2
Mencom	212PA	Nut	3
Panasonic	LT4H-DC24VS	LT4H Digital Timer, 24VDC, Relay Output	1
Emerson-Sola	SVL 2-24-100	Power Supply, Input 100-240VAC, Output 24VDC @2.1A	1
Sprecher+Schuh	CA8-12C-10-24D	Contactator	1
Sprecher+Schuh	CA8-P11	Auxiliary Contact Block, 1NO/1NC	1
Sprecher+Schuh	CT8-B63	Overload Relay 4.5 to 6.3A	1
Sprecher+Schuh	D7P-E202PX01	Pushbutton, Extended Black "STOP", 1NC	1
Sprecher+Schuh	D7P-F301PX10	Pushbutton, Flush Green "START", 1NO	1
Sprecher+Schuh	D7M-MT44MX01S	E-Stop Operator	1
Sprecher+Schuh	D7-15YSE112	E-Stop Inscription Ring	1
Sprecher+Schuh	LA7-16-1753	Base Mounted 3 Pole Switch	1
Sprecher+Schuh	LFS2-N-6-175	Switch Handle Assembly	1
Sprecher+Schuh	LA2-G3393	Metal Operating Shaft	1
Sprecher+Schuh	31297	Fuse Holder, 3-Pole	1
Sprecher+Schuh	V7-WG4	Ground Terminal	1
Sprecher+Schuh	V7-W4	Terminal	12
Sprecher+Schuh	V7-EA35	End Anchor	9
Sprecher+Schuh	V7-EB3	End Barrier	1
Sprecher+Schuh	V7-PP3	Partition	3
Sprecher+Schuh	V7-SM6X12	Marker Card	1
Sprecher+Schuh	L8-5/2/B	Circuit Breaker, 5 Amp, B-Curve	1
Sprecher+Schuh	L8-2/1/B	Circuit Breaker, 2 Amp, B-Curve	1
Sprecher+Schuh	V7-CJ6-2	Center Jumper	2



THIS MATERIAL IS THE EXCLUSIVE PROPERTY OF ACSI APPLIED AUTOMATION CONTROLS INC. AND MUST BE RETURNED TO ACSI IMMEDIATELY UPON REQUEST. THIS MATERIAL AND INFORMATION ILLUSTRATED OR CONTAINED HEREIN MAY NOT BE REPRODUCED, COPIED, USED OR TRANSMITTED IN ANY FORM OR BY ANY MEANS WITHOUT THE PRIOR WRITTEN CONSENT OF ACSI.

DESIGNED BY  
PCW  
CHECKED BY  
PCW  
DATE DRAWN  
04/01/2016  
DATE GOOD  
10/30/2018

**AACI**  
APPLIED AUTOMATION CONTROLS INC.  
1240 WOLF STREET, SYRACUSE NY 13208  
PHONE 315-453-5670 FAX 315-453-5681

TIMER MORSE 5950-P (ELECTRICAL) ACSI040116A 1 of 1 04