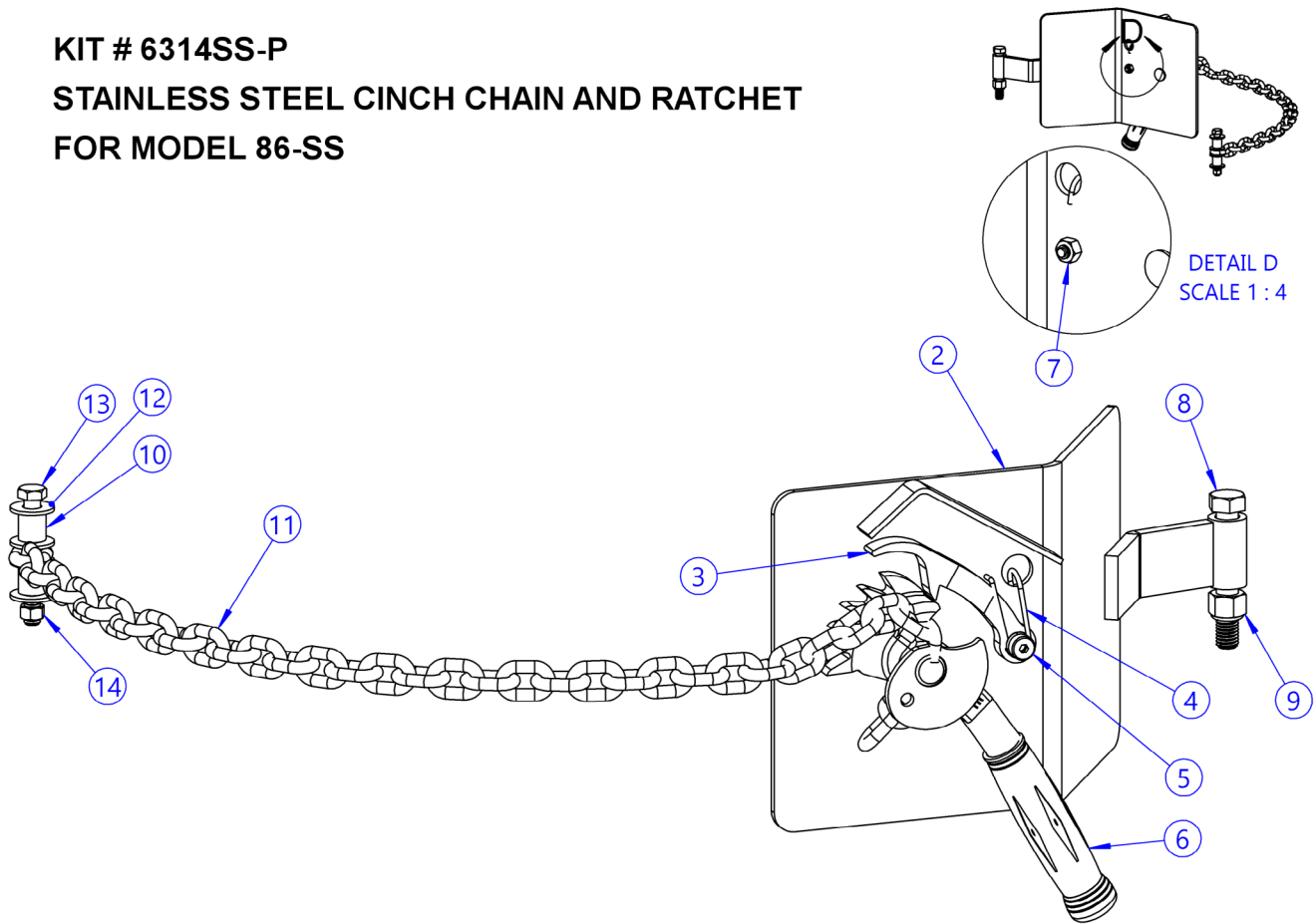


Kit: Stainless Steel Cinch Chain and Ratchet for Morse model 86-SS

KIT # 6314SS-P
STAINLESS STEEL CINCH CHAIN AND RATCHET
FOR MODEL 86-SS



ITEM NO.	PART NUMBER	DESCRIPTION	QTY.
1	6306SS-P	RATCHET PLATE CPT, 86 CHAIN	1
2	6307SS-P	RATCHET HINGE WELD, 102Z-P	1
3	168SS-P	PAWL, STEEL-IT	1
4	169SS-P	SPRING, PAWL, SS	1
5	170SS-P	3/8" DIA X 5/8" SHOULDER, SS	1
6	136-P	GRIP, HANDLE 7/8" X 4-3/4"	1
7	3920SS-P	NUT, 5/16-18 NYLON LOCK, SS	1
8	6272SS-P	HHCS, 1/2-13 X 3-1/4" SS	1
9	810SS-P	NUT, 1/2-13 NYLON LOCK, SS	1
10	1968SS-P	LATCH SPACER, 90-SS	2
11	4408-P	CHAIN, 9/32 CINCH, SS, 38 LINK	1
12	1166SS-P	WASHER, 3/8 USS, SS	4
13	1521SS-P	HHCS, 3/8-16 X 3, SS	1
14	3920SS-P	NUT, 5/16-18 NYLON LOCK, SS	1

