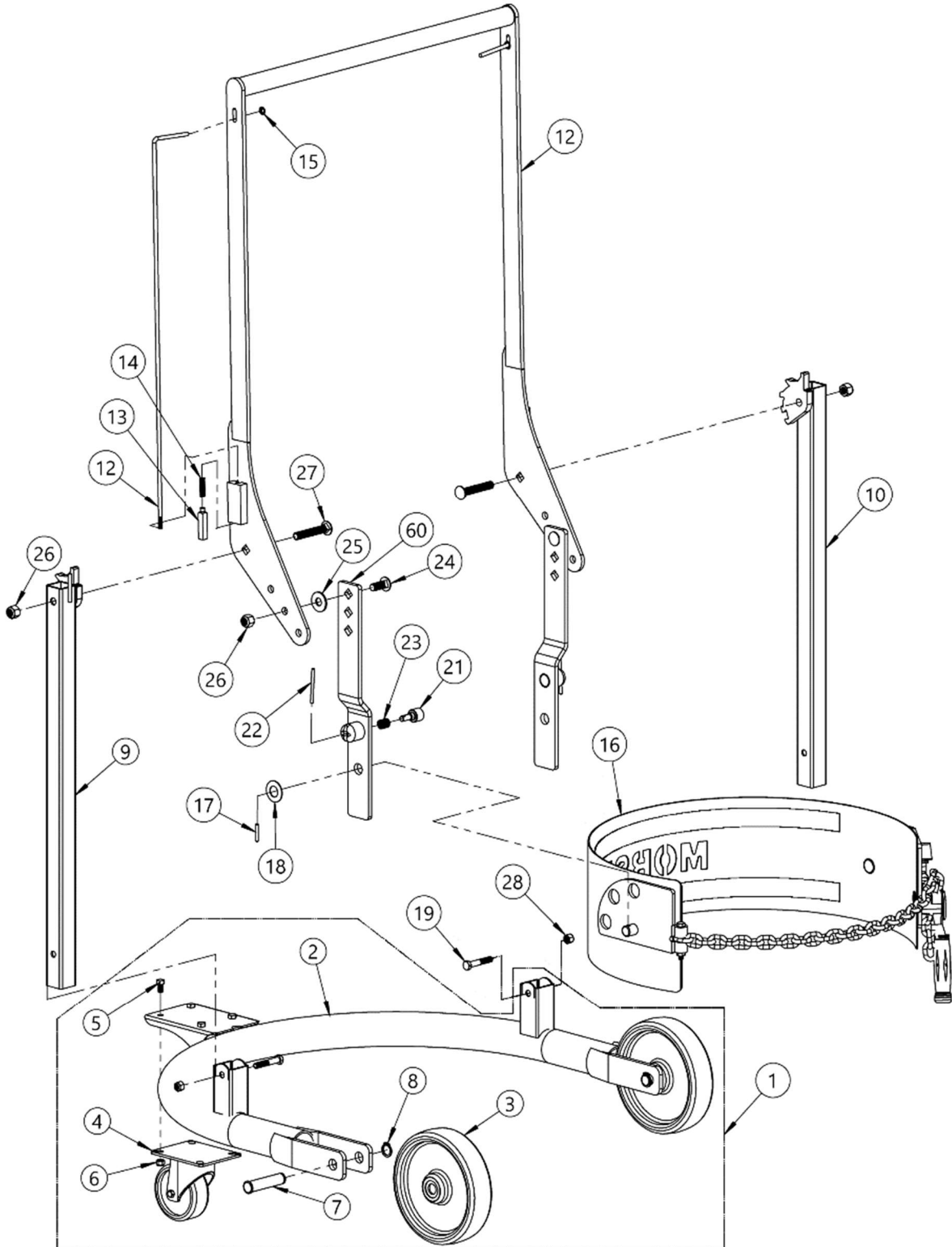


Item	Part	Qty	Description
50	80-P	1	STANCHION, W/ PIN, 80
51	82-P	2	HHCS, 3/8-16 X 2-1/4 GR2
52	1169-P	2	NUT, 3/8-16 REV HEX LOCK
53	800CPT-P	1	HANDLE ASM, 80
54	806-P	2	BOLT, 1/2-13 X 3 CARRIAGE
55	810-P	4	NUT, 1/2-13 REV HEX LOCK
56	6033-P	2	LINK ASM, 80, 82 SERIES
57	807-P	2	WASHER, 1/2 USS 1-3/8 OD
58	805-P	2	BOLT, 1/2-13 X 1-1/4 CARRIAGE
60	81-P	1	STANCHION W/O PIN, 80



ITEM NO.	PART NUMBER	DESCRIPTION	QTY.
1	830CPT-P	BASE ASM, 80	1
2	830-P	BASE WELD, 80 SERIES	1
3	87-P	WHEEL, MORTUF, 8", 3/4" BRG	2
4	3308-P	CASTER, 4" SWIVEL, DBL RACE	1
5	215-P	HHCS, 5/16-18 X 5/8 GR2	4
6	3920-P	NUT, LOCK, 5/16-18 NYLON	4
7	5329-P	PIN, GROOVE, 3/4 X 3.10	2
8	5330-P	SNAP RING, EXT, HD, .078, 3/4"	2
9	80-P	STANCHION, W/ PIN, 80	1
10	81-P	STANCHION W/O PIN, 80	1
11	800CPT-P	HANDLE ASM, 80	1
12	6920-P	RELEASE ROD, FOLLOWER 1/4-20	2
13	6919-P	FOLLOWER, RATCHET 1/4-20 80 81	2
14	70-P	FOLLOWER SPRING, 80, 81	2
15	717-P	NUT, PUSH, 1/4"	2
16	101APS2-P	SADDLE ASM, 80APS	1
17	64-P	ROLL PIN, 3/16 X 1-1/4	2
18	62-P	WASHER, 3/4 SPRING	2
19	82-P	HHCS, 3/8-16 X 2-1/4 GR2	2
20	6033-P	LINK ASM, 80i, 82A	2
21	59-P	PLUNGER, 80, 85	1
22	61-P	ROLL PIN, 3/16 X 2-1/2	1
23	60-P	SPRING, PLUNGER, 80, 85	1
24	805-P	BOLT, 1/2-13 X 1-1/4 CARRIAGE	2
25	807-P	WASHER, 1/2 USS 1-3/8 OD	2
26	6266-P	NUT, 1/2-13 NYLON LOCK	4
27	806-P	BOLT, 1/2-13 X 3 CARRIAGE	2
28	3981-P	NUT, 3/8-16 NYLON LOCK	2