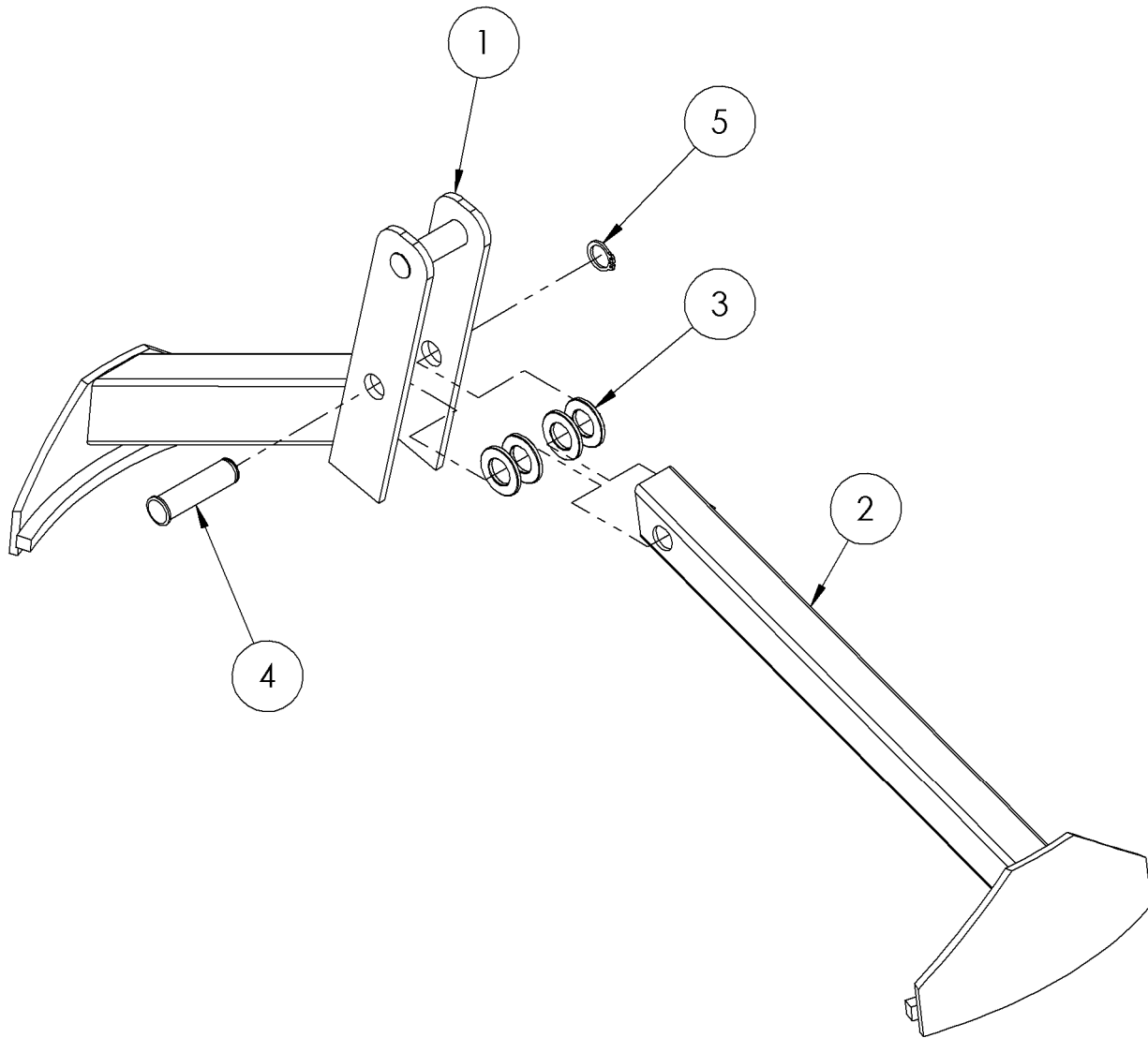


Model 91

Drum Lifter

SN 0414 to Current (MMYY) or 400000 to Current



ITEM	QTY.	PART NUMBER	DESCRIPTION
1	1	1335-P	FIXED ARM WELD, 91
2	1	1334-P	SWING ARM WELD, 91
3	4	55-P	WASHER, 3/4 SAE FL 1-1/2 OD
4	1	5585-P	PIN, GROOVE, 3/4 X 2.61 C
5	1	5330-P	SNAP RING, EXT, HD, .078, 3/4"