

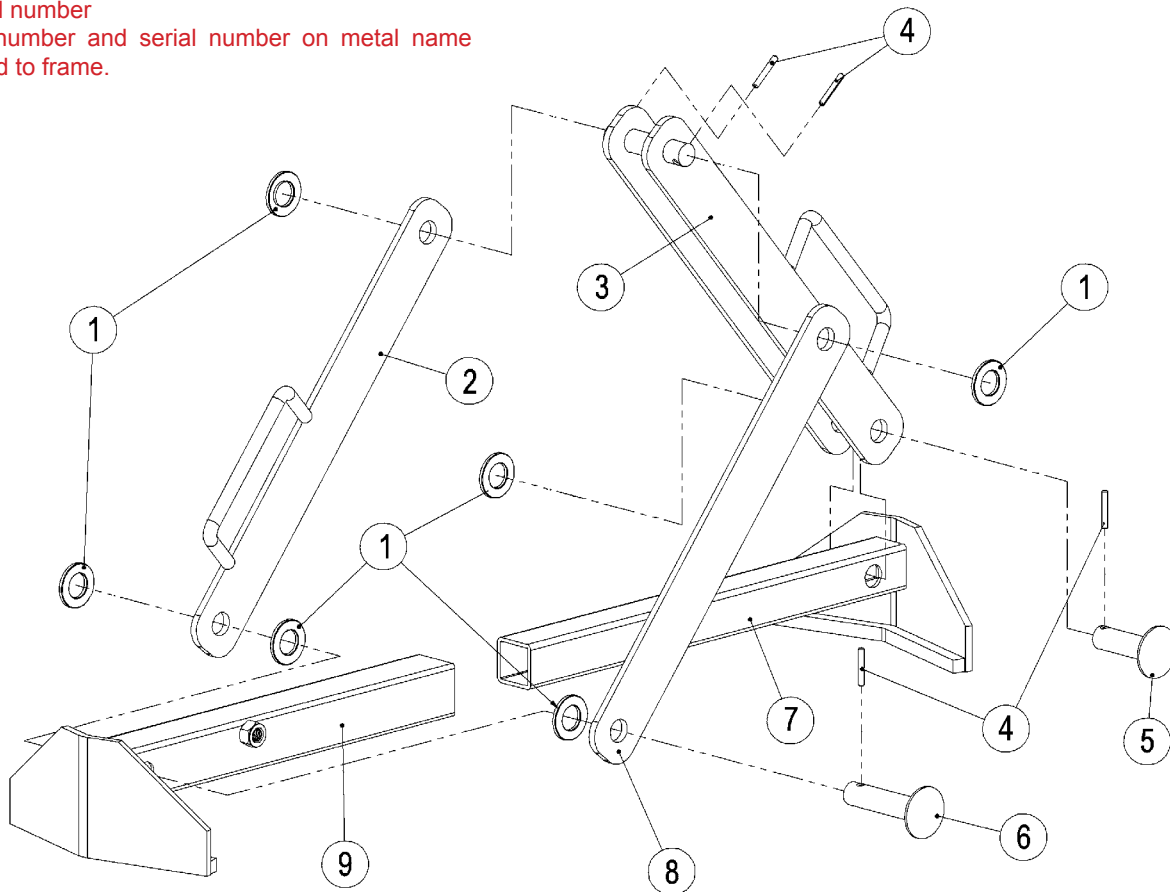
Operator's Manual for Morse Model 92-SS
Stainless Steel Drum Lifter for 18" to 26" Diameter Rimmed Drum
with Serial Number 0000 to 0314

For replacement parts, please contact your Morse dealer.

When ordering parts, please specify:

- Part number and description
- Model number
- Serial number

Find model number and serial number on metal name plate attached to frame.



ITEM	QTY.	PART #	DESCRIPTION
1	6	55SS-P	WASHER, 3/4 SAE FL 1-1/2 OD SS
2	1	1440SS-P	LINK WELD W/ HANDLE, 92-SS
3	1	2942SS-P	DOUBLE LINK WELD, 92-SS
4	4	64SS-P	ROLL PIN, 3/16 X 1-1/4, SS
5	1	1435SS-P	SMALL TUBE CLEVIS PIN, 92-SS
6	1	1436SS-P	CLEVIS PIN, 92-SS, 3.1563"
7	1	1439SS-P	SMALL SLIDER TUBE WELD, 92-SS
8	1	1429SS-P	LINK, 92-SS
9	1	1438SS-P	LARGE SLIDER TUBE WELD, 92-SS