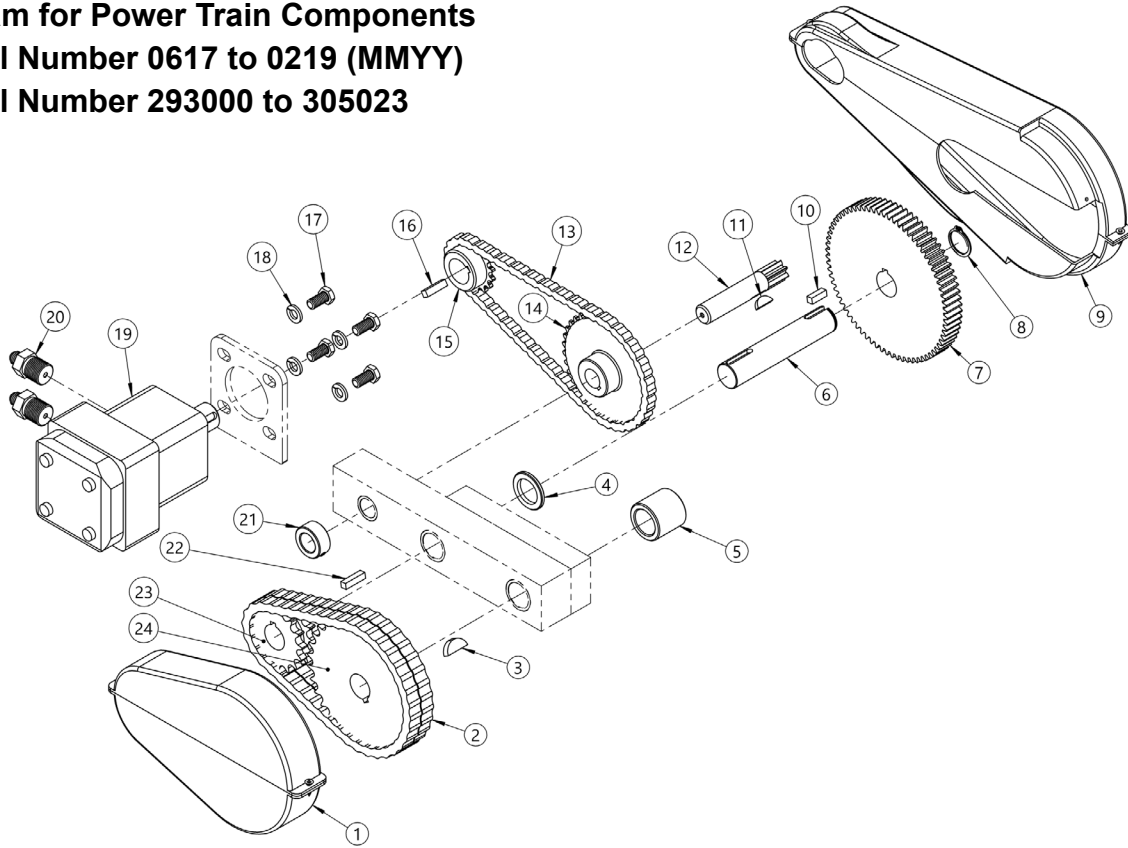


**Parts Diagram for Power Train Components**  
**4-Digit Serial Number 0617 to 0219 (MMYY)**  
**6-Digit Serial Number 293000 to 305023**



ITEM NO.	PART NUMBER	DESCRIPTION	QTY.
1	4284-P	COVER KIT, POLY, HD PT OUTER	1
2	31-P	CHAIN, ROLLER, #40D W/ M. LINK	1
3	736-P	KEY, WOODRUFF, SIZE 15, ASA808	1
4	29-P	SPACER, SPUR GEAR .15", ALUM	1
5	4372-P	SPACER, HD DRIVE SHAFT 1.4"	1
6	5104-P	SHAFT, SPUR GEAR, 2 KEYWAY	1
7	5978-P	SPUR GEAR 72T 1" BORE, KEY	1
8	6003-P	SNAP RING, 1" SPUR GEAR	1
9	4286PT-P	COVER KIT, POLY, PT INNER	1
10	6004-P	KEY, 1/4" X 3/4", SPUR GEAR	1
11	735-P	KEY, WOODRUFF, SIZE 9, ASA606	1
12	14-P	GEAR, PINION, 7 TOOTH	1
13	12-P	CHAIN, ROLLER, #35 W/ M LINK	1
14	13-P	SPROCKET #35 36T, 3/4" BORE	1
15	1116-P	SPROCKET #35 17T, 1" BORE	1
16	2656-P	KEY, SQUARE, 1/4 X 1"	1
17	1657-P	HHCS, 3/8-16 X 3/4 GR2	4
18	1474-P	WASHER, 3/8 SPLIT LOCK	4
19	351-P	MOTOR, HYDRAULIC HYD, 400, 456	1
20	2120-P	HYD FIT, MALE CONNECTOR, 400	2
21	15-P	COLLAR, 3/4" ID	1
22	6005-P	KEY, 1/4" X 1", SPUR GEAR	1
23	30-P	SPROCKET #40D 16T, 1" BORE	1
24	32-P	SPROCKET #40D 32T, 1" BORE	1