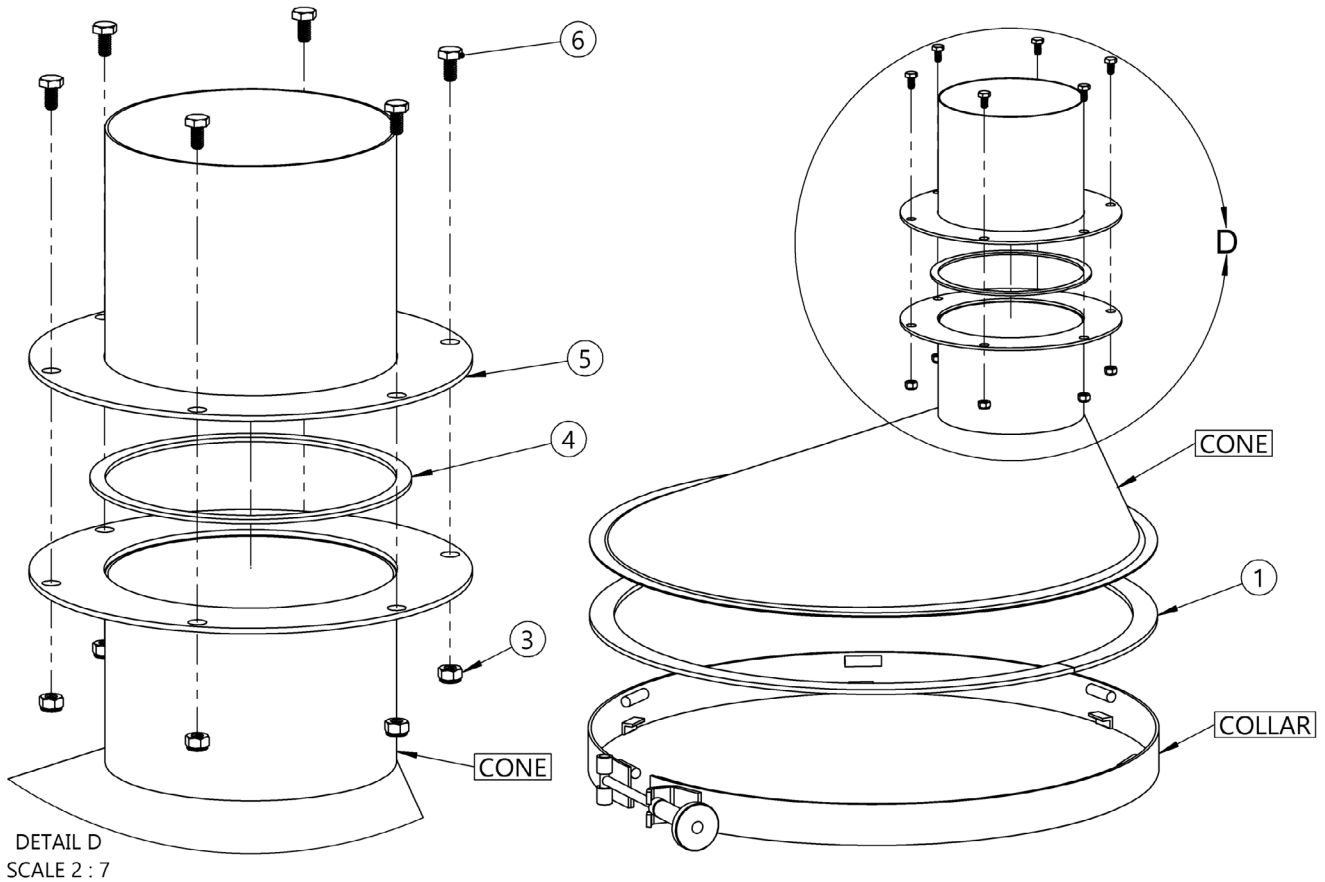


**Installation of Extension Tube onto Valve Flange of Morse Drum Cone**



ITEM NO.	PART NUMBER	DESCRIPTION	QTY.
1	3602-P	GASKET, NEOPRENE, 23" ID CONE	1
2	XT	KIT, 5"L X 6" DIA EXT TUBE	1
3	1518SS-P	NUT, 1/4-20 NYLON LOCK, SS	6
4	6339-P	GASKET, NEOPRENE, 6"	1
5	5593-P	WELD, FLANGE TUBE	1
6	4064SS-P	HHCS, 1/4-20 X 1/2, SS	6

