

### Raise, Transport, Rotate and Drain Drum



Model 80i



Model 80i-SS  
Stainless steel  
with bead blast finish

- Use as drum truck, drain stand, dolly or pump cart
- Self Supporting - No weight in operator's hands
- Tilt unlocked drum 360° to pour or agitate contents
- Lock drum horizontal or at 45° to drain
- Lock drum upright to prevent spills
- Leverage for up to 800 Lb. (363 kg) drum
- Rolls and steers easily
- Variable lift heights
- Install options for plastic or fiber drum
- Insert Diameter Adapter for smaller drum

### More than Just a Drum Truck

More versatile and convenient!

Supports full weight of drum. Transport drum upright to avoid spills. Automatic handle-locks are designed to prevent unintentional lowering of the drum. Tilt-locks on each side keep drum upright, horizontal or at 45 degrees. Turn unlocked end-over-end to agitate contents.

Tip drum for pouring. Lock drum at horizontal, ready for dispensing.

Morse Mobile-Karriers are extremely easy to maneuver on 8" (20.3 cm) hard, "MORTUF" polyolefin roller bearing wheels and a 4" (10.2 cm) ball-bearing swivel caster. The frame is welded structural steel for long service.

Made in Syracuse, New York U.S.A. Ships partly assembled to save on freight cost.



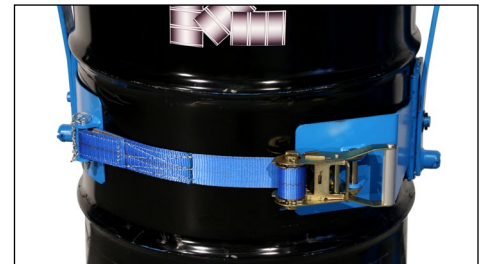
### High Strength Lifting Components

Web strap and ratchet secure drum.

Model 80i solid steel 8" (20.3 cm) wide back band has the MORSE name boldly cut through it, permanently identifying it as a genuine quality Morse product.



Model 80i-SS shown with Factory Installed  
OPTION # 6075SSi-P  
Stainless Steel  
Cinch Chain



Model	Description	Handle Types of Drums
80i	Mobile-Karrier with web strap to secure drum	Handle steel 55-gallon (210 liter) drum 22.5" (57.2 cm) O.D. between ribs <ul style="list-style-type: none"> <li>• Install Top Rim Clamp for 30 to 55-gallon (114 to 210 liter) RIMMED plastic or fiber drum</li> <li>• Install Bracket Assembly Kit for RIMLESS plastic drum</li> <li>• Insert correct size Diameter Adapter for each smaller drum</li> </ul>
80i-SS	Type 304 Stainless Steel Mobile-Karrier with bead blast finish. Has web strap to secure drum.	

### One Person Can Handle a Heavy Drum

Model 80i shown



- **Advanced design with improved safety features**
- **Simple to lift, move, tilt, agitate and drain heavy drum!**

#### Adjustable Leverage

You adjust Mobile-Karrier to do your job with minimum effort. Adjust to accommodate drum weights up to 800 Lb. (363 kg) and floor clearances of 5-1/8" to 11" (13 to 27.9 cm). Tipping capacities vary with type and amount of load carried.

#### Morse Drum Holders for Various Drums Sizes

The drum holder (saddle) fits a standard 55-gallon (210 liter) steel drum. Accepts options to handle plastic or fiber drum. Insert correct size Diameter Adapter for smaller drum.

#### 1. EASY TO SECURE DRUM

Roll Mobile-karrier and push drum holder into center of drum. Secure web strap across front of drum with ratchet tightener. No tools are necessary.



#### 2. PULL DOWN HANDLE TO RAISE DRUM

To raise drum, squeeze two handle release rods and pull handle down. Automatic locks engage to hold drum height as handle is lowered. Tilt locks hold drum upright.



#### 3. MOVE DRUM WITHOUT SPILLING CONTENTS

Mobile-Karrier supports load so operator can quickly and easily move to dispensing area. Always transport with drum upright to avoid spills.

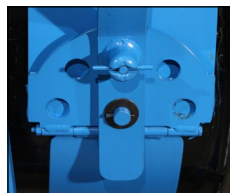
#### 4. DISPENSE FROM ANY POSITION

Tilt drum 360° in either direction. Lock drum upright, horizontal or at 45°. Leave with drum locked horizontal for subsequent dispensing.

Reset tilt locks to automatically secure drum at horizontal for dispensing, or allow it to turn as far as needed.



Lock drum in horizontal position



Close-up of tilt lock when drum is locked in horizontal position



Lock drum upright for safe transporting



Lock drum at 45 degrees for dispensing

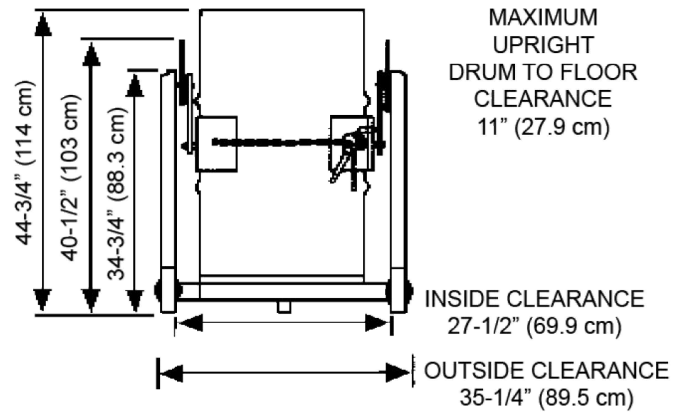
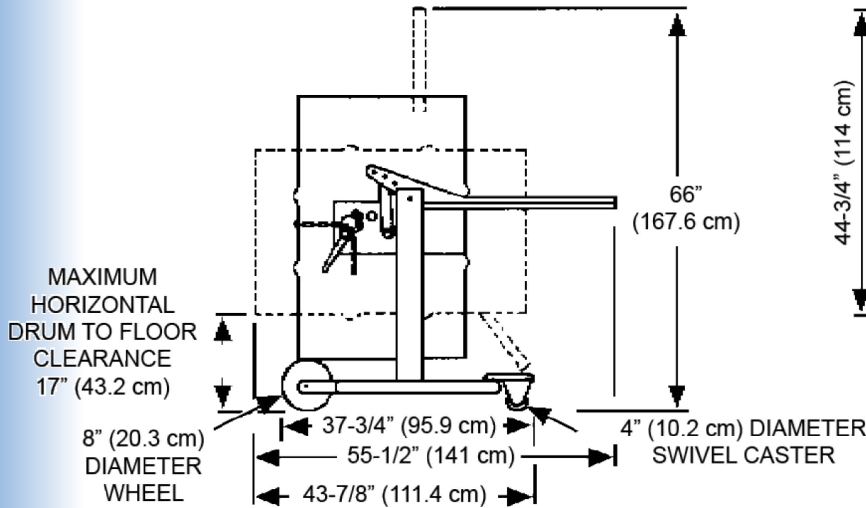


Lock drum tilted at 45 degrees for access to contents

MADE  
IN  
USA

### DIMENSIONS

FOR DRUM WITH 22-1/2" (57.2 cm) DIAMETER, 36" (91.4 cm) TALL



MADE  
IN  
USA

### Options for Models 80i and 80i-SS

#### Bracket Assembly for Rimless Drum



**Bracket Assembly** has brace at top and bottom of drum to prevent it from slipping length-ways. It is **REQUIRED** to handle RIMLESS plastic drum, and recommended to securely handle fiber drum. Adjusts for 31" to 39" (79 to 99 cm) tall drum.

Handle 55-gallon (210 liter) steel drum with bracket installed. Also in combination with Diameter Adapters for 30-gallon drum.

**Kit # 4556-P** Bracket Assembly

**Kit # 4556SS-P** Stainless Steel Bracket Assembly

#### Top Rim Clamp for Rimmed Drum



The **Top Rim Clamp** grips the upper drum rim to prevent it from slipping length-ways. Use to handle a 30 to 55-gallon (114 to 210 liter) RIMMED plastic or fiber drum. To safely handle a plastic drum, you **MUST** install either Bracket Assembly or the Top Rim Clamp.

Install to handle any RIMMED 30 to 55-gallon (114 to 210 liter) steel, plastic or fiber drum.

**Kit # 4560B-P** Top Rim Clamp

**Kit # 4560SS-P** Stainless Steel Top Rim Clamp

#### Cinch Chain & Ratchet



The cinch chain is more durable than standard web strap, is washable and resistant to many chemicals.

**Option # 6075i-P** Factory installed Cinch Chain and Ratchet on NEW unit

**Option # 6075SSi-P** Factory installed Stainless Steel Cinch Chain and Ratchet on NEW unit

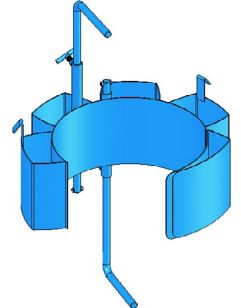
#### Diameter Adapters for Smaller Drum

Quickly insert correct size **Diameter Adapter** into drum holder to handle smaller drum. Lift Adapter out to return to handling 55-gallon (210 liter) drum.

**IMPORTANT:** To select correct size Adapter Diameter, measure drum outside diameter half-way down between the ribs (circumference divided by 3.14)

Smaller Diameter Adapters for 14 to 17.5" (35.6 to 44.5 cm) diameter drum (shown right), have integrated hold-down brackets at top and bottom to prevent drum from slipping length-ways. Brackets adjust for up to 38" (96.5 cm) tall drum.

For 18.5" to 22" (47 to 55.9 cm) diameter drum, use Bracket Assembly in combination with correct size Diameter Adapter.



Model 55/30-16 shown

Diameter Adapters		
Diameter Adapter for Model 80i	Stainless Steel Diameter Adapter for Model 80i-SS	Fits Drum Diameter
55/30-22	55/30SS-22	21.5" to 22" (54.6 to 55.9 cm)
55/30-20.5	55/30SS-20.5	20" to 20.5" (50.8 to 52.1 cm)
55/30-19	55/30SS-19	18.5" to 19" (47 to 48.3 cm)
55/30-17.5	55/30SS-17.5	17" to 17.5" (43.2 to 44.5 cm)
55/30-16	55/30SS-16	15.5" to 16" (39.4 to 40.6 cm)
55/30-14.5	55/30SS-14.5	14" to 14.5" (35.6 to 36.8 cm)