

Enclosures with Safety Interlock for 2-5154 Series

Comply with OSHA Requirements (Enclosure Kits Sold Separately)

Enclosures for Morse Double Stationary Drum Rollers have a safety interlock to automatically shut off the drum roller when the gate is opened. Open the enclosure gate, place your drum onto the drum roller, then close the gate to allow operation. Connections are included for air powered models only. Customer to provide controls and connections for 1-phase and 3-phase AC models.

Install all Morse Drum Rotators in accordance with OSHA requirements for enclosure and safety interlock, etc. Drum roller automatically turns off when enclosure door is opened. For OSHA compliance, see OSHA subpart O.1910.212(a)(4) "Barrels, containers, and drums. Revolving drums, barrels, and containers shall be guarded by an enclosure which is interlocked with the drive mechanism, so that the barrel, drum, or container cannot revolve unless the guard enclosure is in place." Power connections and motor controls must comply with applicable codes.

MADE
IN
USA



Magnet door closure

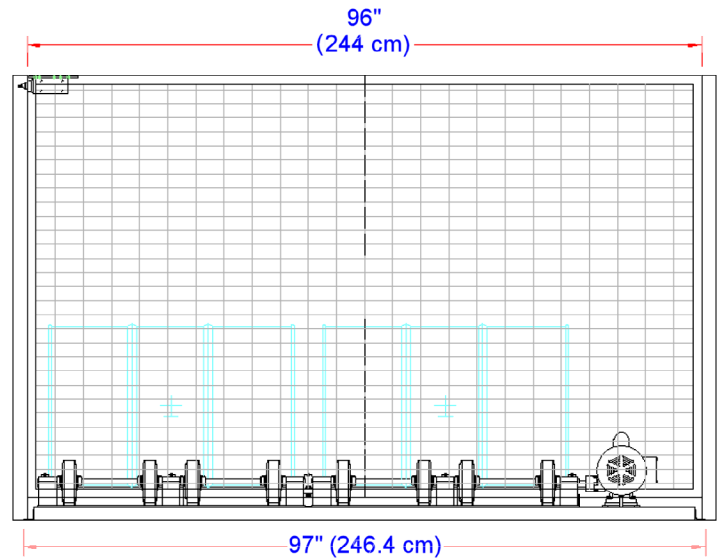
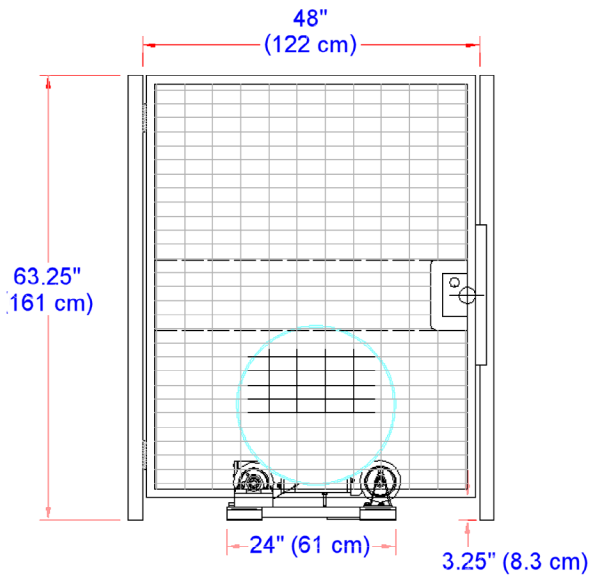
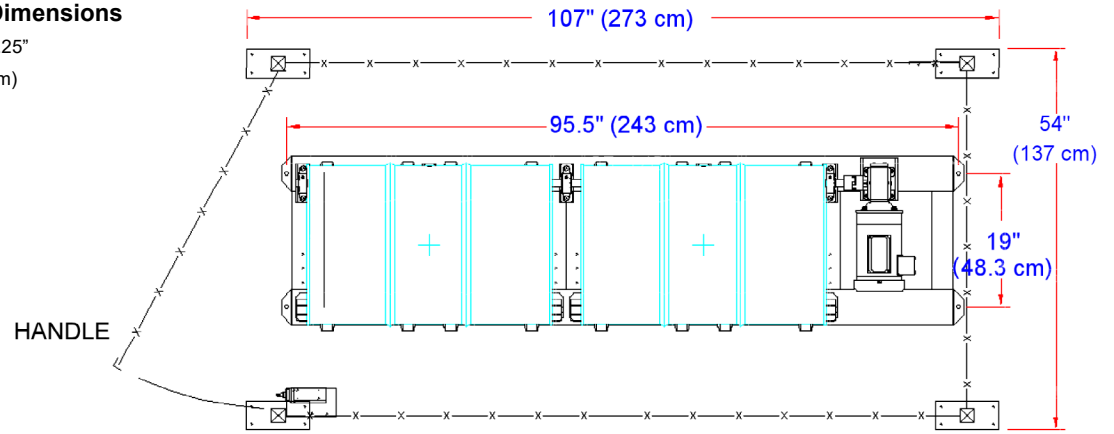
| Guard Enclosure Kit | Description (drum roller sold separately) | Gate Switch |
|----------------------|--|-------------|
| GEK-2-5154-1 | Fits Double Stationary Drum Roller with 1-phase electric motor | AC |
| GEK-2-5154-3 | Fits Double Stationary Drum Roller with 3-phase electric motor | AC |
| GEK-2-5154-E1 | Fits Double Stationary Drum Roller with Explosion-proof 1-phase electric motor | AC |
| GEK-2-5154-E3 | Fits Double Stationary Drum Roller with Explosion-proof 3-phase electric motor | AC |
| GEK-2-5154-A | Fits Double Stationary Drum Roller with Air motor | AIR |

* Explosion Proof rated for Class I Group D, and Class II Groups F and G

Enclosures Dimensions

Outside Post-To-Post Dimensions

L100" x W52" x H63.25"
 (254 x 132 x 161 cm)



MADE
 IN
 USA