

Add Fork Pockets to Below-Hook Drum Handler

Add fork pockets to a Morse below-hook drum lifter for safety conscious forklift drum handling. It can be UNSAFE to use below-hook handler with a forklift

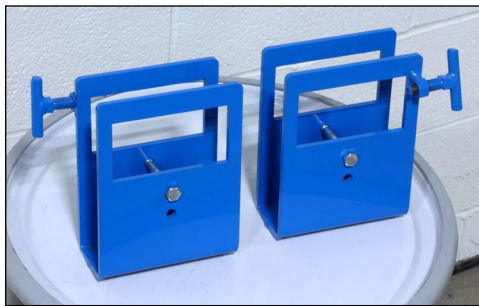
VIDEO at:
<https://morsedrum.com/video/fork-pocket-kits>

If forks will NOT spread 25" (635 mm) apart to accommodate drum:

- Install Fork Pocket Kit on Below-Hook Drum Handler
- Drum will then be carried below forks
- Can then use handler with forklift OR with hoist



Kit 6315-P

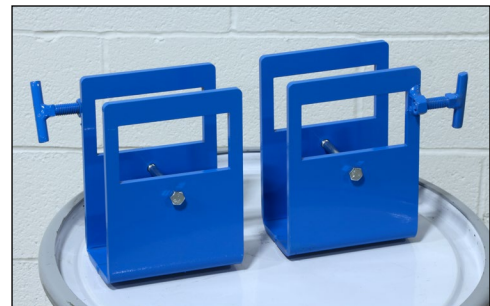


Kit for customer to install fork pockets on Morse **Model 85A, 85G, 85i, 86, 185A, 185G, 185A-HD, 185G-HD or 186** with 2" (50.8 mm) wide drum lifter cross tube.



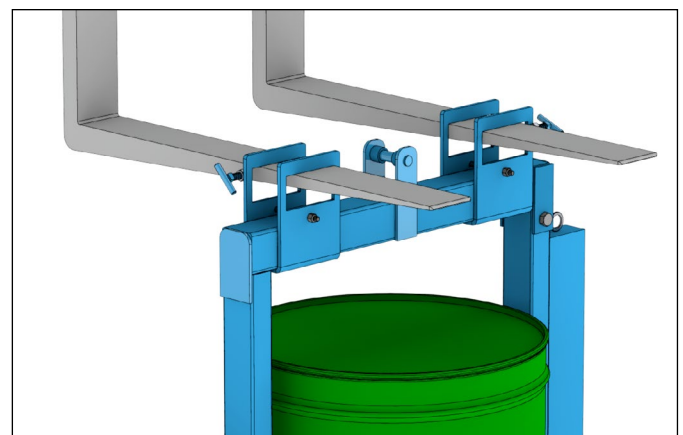
Fork Pocket Kit 6315-P shown installed on Morse model 185A-HD

Kit 6333-P



Kit for customer to install fork pockets on Morse **Model 185A-GR, 185XGR or on 195 Series** with 3" (76.2 mm) wide drum lifter cross tube.

NOT for model with spark resistant parts.



Fork Pocket Kit 6333-P shown installed on Morse model 185A-GR

MADE IN USA

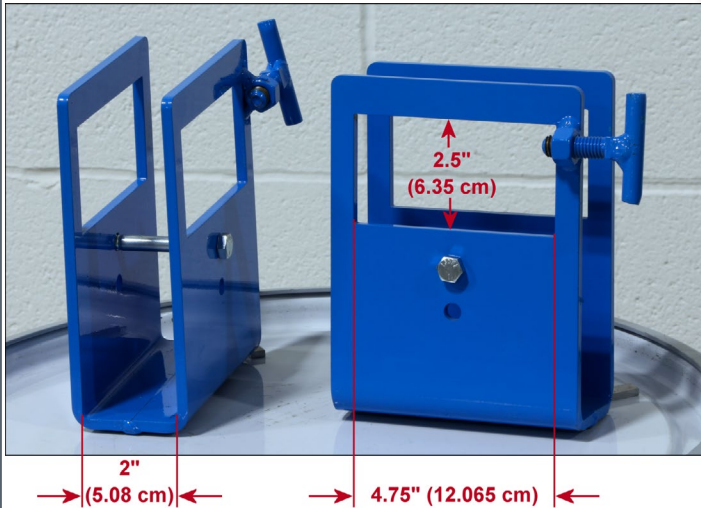
Dimensions

Kit # 6315-P

Fork Pocket Kit 6315-P

- Fits 2" (50.8 mm) wide drum lifter cross tube
- 4.75" x 2.5" (120.65 x 63.5 mm)

Fork Pocket Openings

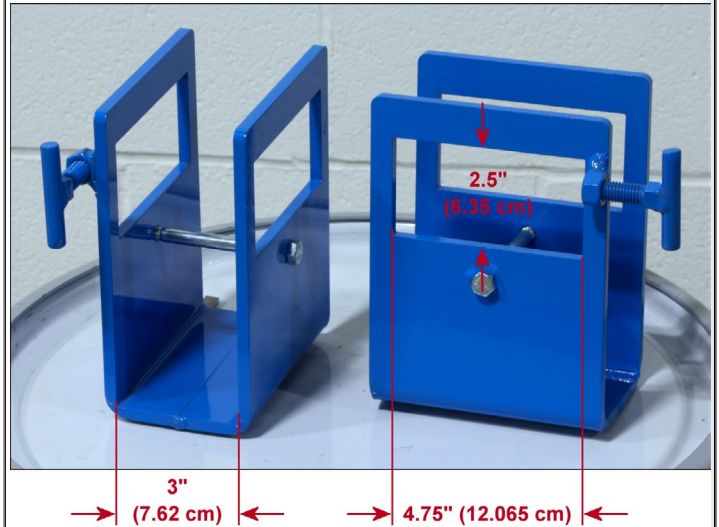


Kit # 6333-P

Fork Pocket Kit 6333-P

- Fits 3" (76.2 mm) wide drum lifter cross tube
- 4.75" x 2.5" (120.65 x 63.5 mm)

Fork Pocket Openings



MADE
 IN
 USA