



CE Marked Drum Tumblers include Controls and Enclosure with Safety Interlock

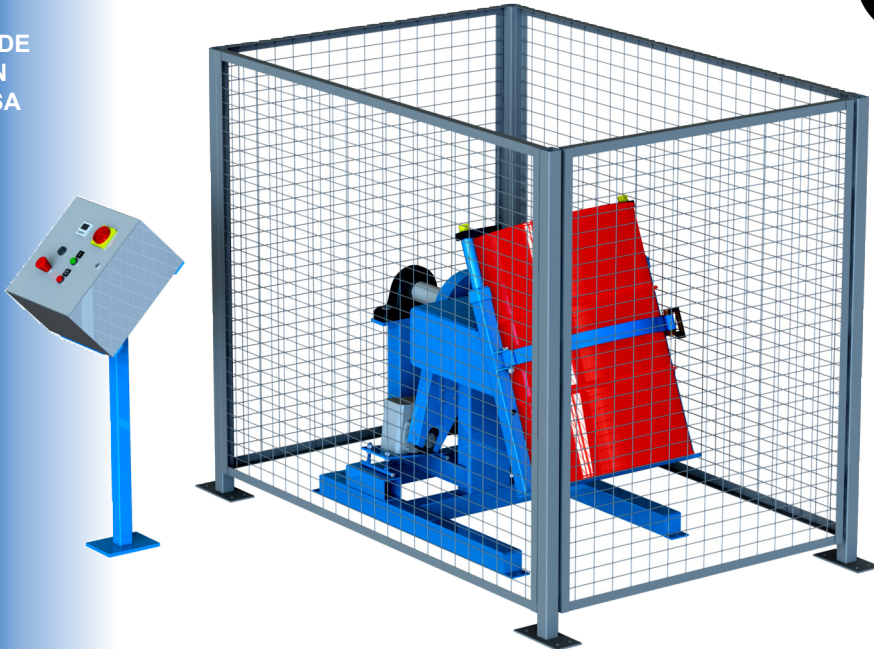
- Rotate drum “corner-over-corner”
- Thoroughly mix contents inside sealed drum
- Load upright drum with your hoist or crane
- Tumble various size steel, plastic or fiber drum: 74 to 94 cm (29” to 37”) tall
46 to 60 cm (18” to 23.5”) in diameter
- Set timer to tumble up to 16 hours
- Capacity: 363 kb (800 Lb.) Full Drum
181 kg (400 Lb.) Half-Full Drum

Half-full rating is an indication of the capacity for tilting an unbalanced, bottom-heavy drum. A partially full drum with an unbalanced and shifting load is harder to tilt than a full drum of the same weight.

Benefits of Mixing inside Closed Drum

- Less hazards
- Eliminate worker exposure to dangerous ingredients
- Reduce spills and risk of contamination

MADE IN USA



Each Morse CE Marked Drum Tumbler includes Control Station and Enclosure with Safety Interlock. They are fully tested and certified compliant with European directives.

Rotate a drum to thoroughly mix drum contents. Set duration of drum rotation anywhere from a few seconds to 16 hours.

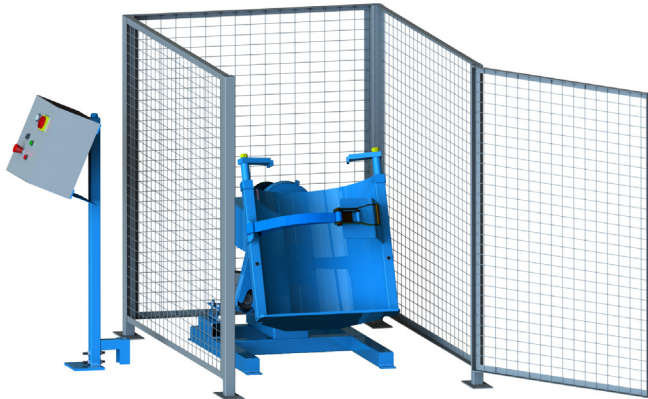
Enclosure has integrated safety interlock in accordance with European directives. Machine automatically shuts off when the door is opened.

In case of any problem during operation, the tumbler can be interrupted by pressing the red emergency stop knob.

Power connections and motor controls must comply with local codes.

Model Number	Motor	Phase	Volts	Hz	Amp Draw	Drum RPM
309-1-50-CE	1HP TEFC	1	220	50	4.6	12
309-3-50-CE	1HP TEFC	3	380	50	1.53	2 to 20

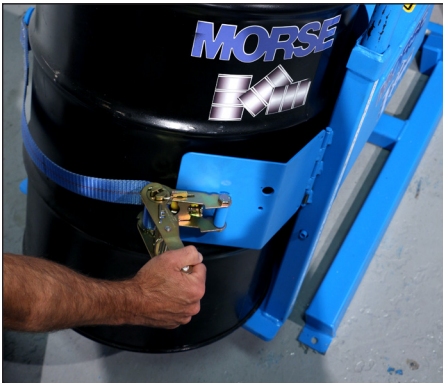
MADE
IN
USA



Open enclosure gate



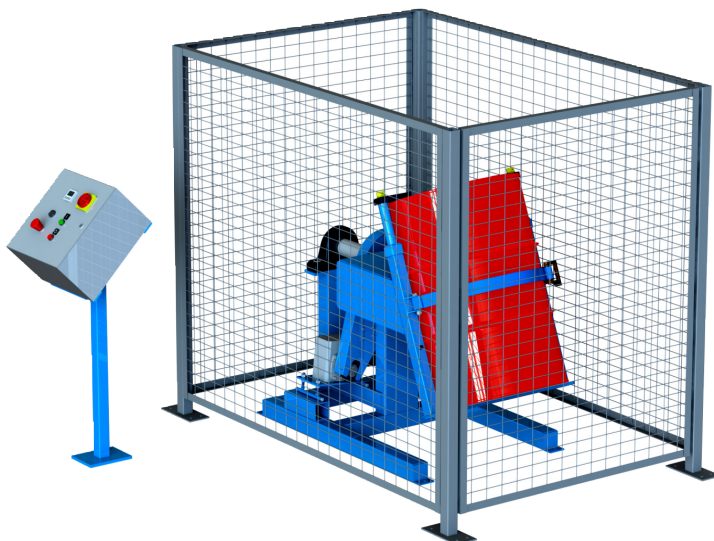
Open hinged ratchet plate of drum holder and two top clamps. Load drum with your hoist and [model 92 Below-Hook Drum Lifter](#).



Secure drum in holder using web strap and ratchet around drum and tightening the two top clamps



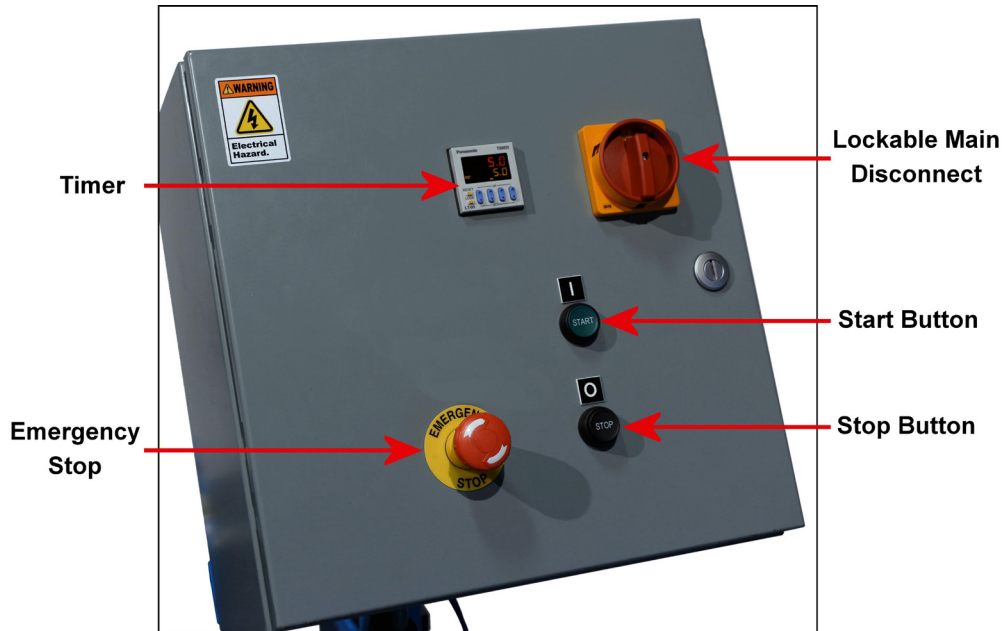
Magnet door closure



Close enclosure gate. Integrated safety interlock prevents drum rotation until the gate is closed, and automatically stops drum rotation if gate is opened during operation.

Install all Morse Drum Rotators in accordance with local requirements for enclosure and safety interlock, etc. Morse enclosure with safety interlock automatically turns off drum rotator when enclosure door is opened.

Power connections and motor controls must also comply with applicable local codes.



Morse Controls include the Mast and appropriate Control Box for each model. Use power controls to start and stop drum tumbling.

Position control mast outside the safety enclosure on either the left or right side, or at the back of Drum Tumbler.

Model 309-1-50-CE
Control Mast and AC Control Box
NEMA 4/12 for NON-Hazardous Areas

Control Box with:

- **FIXED** Drum Rotation at 12 RPM
- Timer adjusts from a few seconds to 16 hours
- Start and Stop Buttons
- Red Emergency Stop Button
- Lockable Main Disconnect to shut off and lock out power to the unit
- Wire terminals for external connection of safety interlock switch



Model 309-3-50-CE
Control Mast and AC Control Box
NEMA 4/12 for NON-Hazardous Areas

Control Box with:

- **VARIABLE SPEED** Drum Rotation from 2 to 20 RPM
- Timer adjusts from a few seconds to 16 hours
- Start and Stop Buttons
- Red Emergency Stop Button
- Lockable Main Disconnect to shut off and lock out power to the unit
- Wire terminals for external connection of safety interlock switch

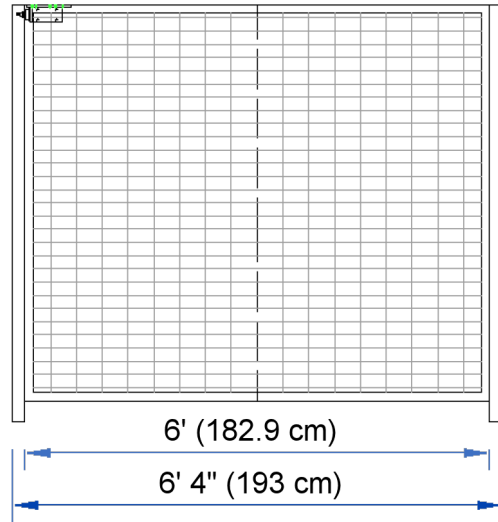
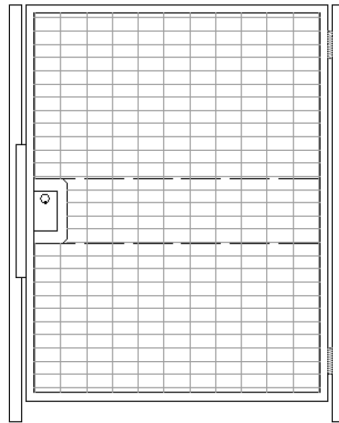
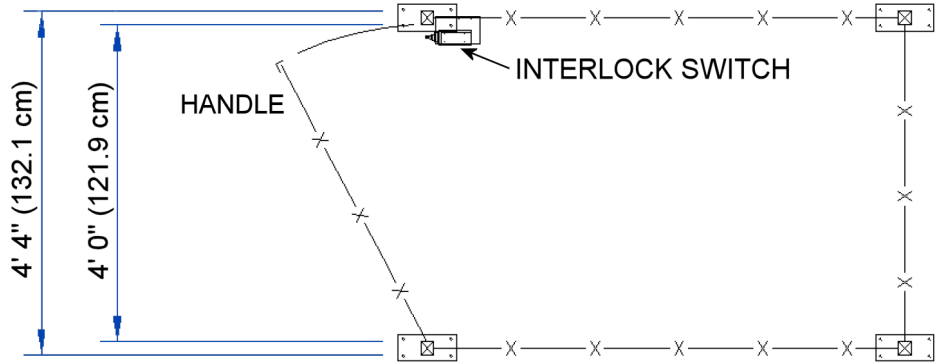


Outside Post-to-Post Dimensions

L193 cm x W132.1 cm x H160.7 cm (L76" x W52" x H63.25")

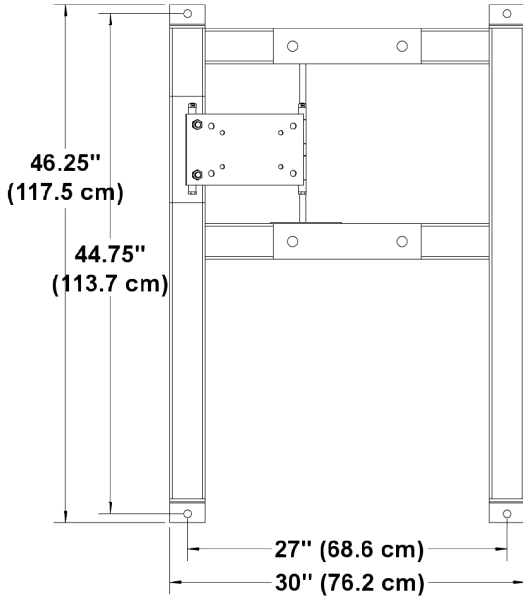
Hinged Door Opening is 121.9 cm (4') Wide

MADE
IN
USA

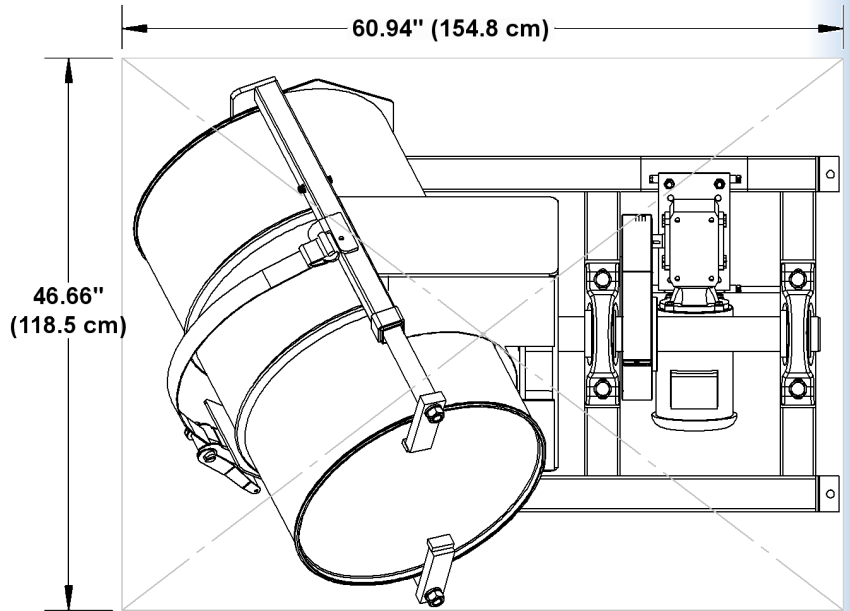


Guard Enclosure Components			
Item	Qty.	Width	Height
Wire Mesh Panel	1	123 cm (4' 0")	152.4 cm (5' 0")
Wire Mesh Panel	2	182.9 cm (6')	152.4 cm (5' 0")
Hinge Door	1	119 cm (3' 10-7/8")	152.4 cm (5' 0")
Corner Post	4	5.1 cm (2")	161 cm (5' 3.25")

Base Dimensions

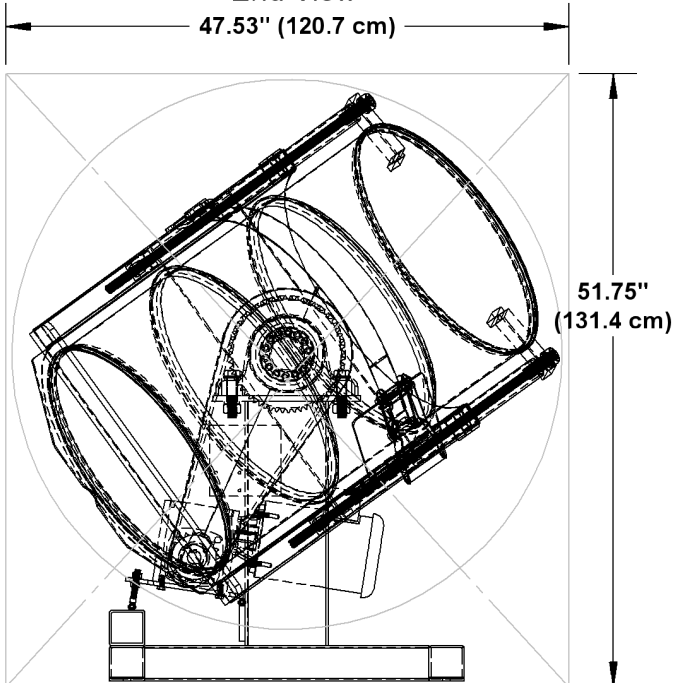


Top View

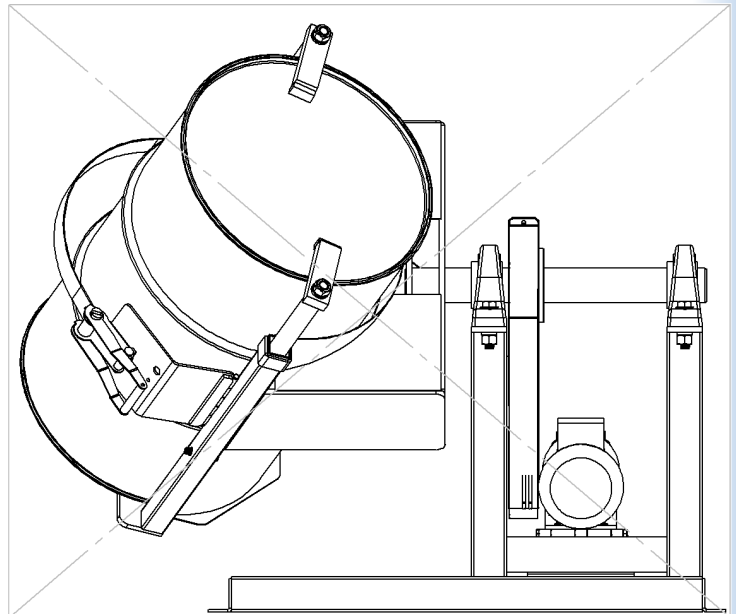


MADE
 IN
 USA

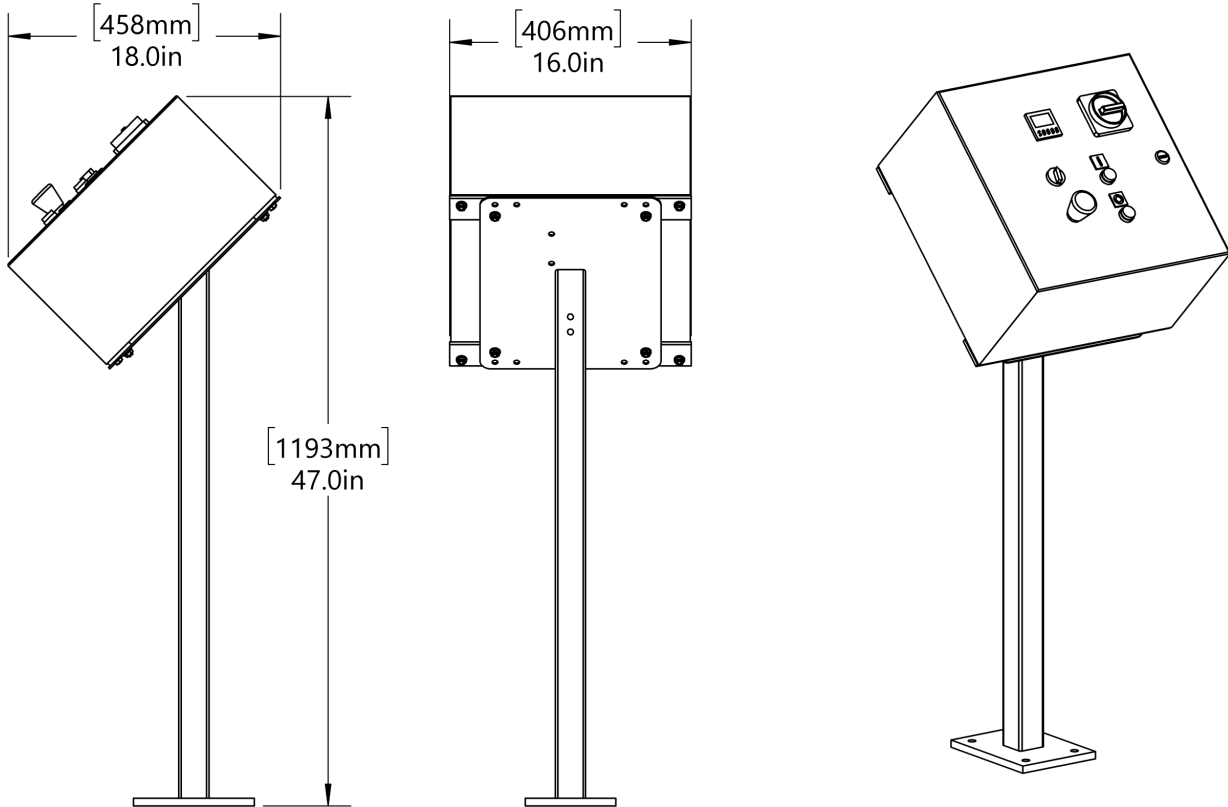
End View



Side View



Control Station Dimensions



MADE
IN
USA

309 SPECIFICATION SHEET (CE Marked)	
Capacity: Full Drum 1/2-Full Drum	363 kg (800 Lb.) 182 kg (400 Lb.)
Drum Holder Specs: Drum Diameter Drum Height	45.72 cm to 59.69 cm (18" to 23.5") 73.66 cm to 93.98 cm (29" to 37")
Drum RPM:	Model 309-1-50-CE: 12 RPM Fixed Speed Model 309-3-50-CE: 2 to 20 Variable Speed
Machine Height:	126.37 cm (49.75")
Machine Floor Space:	127 cm x 762 cm (50" Long x 30" Wide)
Enclosure Height:	160.66 cm (63.25")
Enclosure Floor Space:	193.04 cm x 132.08 cm (76" Long x 52" Wide)
Shipping Weight:	579 kg (1320 Lb.)
AC Motor Specs for Model 309-1-50-CE 1HP 1PH 1450 RPM 50HZ 56C TEFC	VOLTS (AMP DRAW) 220V (4.6 Amps)
AC Motor Specs for Model 309-3-50-CE 1HP 3PH 1465 RPM 50HZ 56C TEFC	VOLTS (AMP DRAW) 380V (1.53 Amps)