

Model Number	Description
14	Round Dolly for 55-gallon (210 Liters) drum, steel casters with MORTUF polyolefin wheels
14-SS	Round Dolly, type 304 stainless steel, for 55-gallon (210 Liters) drum, steel casters with MORTUF polyolefin wheels
14-SSC	Round Dolly, type 304 stainless steel, for 55-gallon (210 Liters) drum, stainless steel casters with polypropylene wheels
14M	Round Dolly with spark resistant parts, for 55-gallon (210 Liters) drum, steel casters with MORTUF polyolefin wheels
14-30	Round Dolly for 30-gallon (114 Liters) drum, steel casters with MORTUF polyolefin wheels
14-30SS	Round Dolly, type 304 stainless steel, for 30-gallon (114 Liters) drum, steel casters with MORTUF polyolefin wheels

Important

1. Review the Safety Data Sheet(s) for the material(s) in the drum(s) and take all necessary precautions. Safety shoes, work gloves, hard hat and other personal protective devices are recommended.
2. Please read all instructions thoroughly before attempting to assemble or operate your new Morse drum handler.
3. Models 14, 14-SS, 14-SSC and 14M Drum Dollies have a maximum capacity rating of 1000 Lb. (454 kg) and are intended for moving a 55-gallon (210 Liter) drum.

Models 14-30 and 14-30SS Drum Dollies have maximum capacity rating of 1000 Lb. (454 kg) and are intended for moving a 30-gallon (114 Liter) drum.

DO NOT exceed this rating. Exceeding this rating, or handling drums other than those mentioned above is unsafe and could result in equipment damage, excessive wear or awkward handling.

4. When operating, loading or unloading, or maintaining your Morse drum handler, always use care, good judgement, have good footing and a firm hold to help guard against accidents.

5. Use care when pushing the dolly to maintain control and avoid tipping when rolling on rough or uneven floors. Lateral force at the top of the drum shifts over 70% of the weight to the front dolly wheels.

This can make the dolly difficult to control, and potentially hazardous without warning - even topple over, especially if the dolly wheels hit an obstruction, a hole in the floor, or while descending a slope.



Decrease the risk of this happening by attaching patented Morse model 24 **Clamp+GO™ Dolly Handle** (sold separately) to the drum dolly. You then pull from the bottom of the drum to move it around, with weight far more evenly distributed on all dolly wheels.

You significantly reduce risk of tipping and have greater control.

Clamp+GO™ can be used with round drum dollies of various sizes. Adjust for 2", 2.5" or 3" (5.08, 6.35 or 7.62 cm) tall dolly sidewall with quick-pin. One **Clamp+GO™** works with all Morse round drum dollies, and with many other brands.



WARNING – This product can expose you to chemicals including barium sulfate, cobalt, titanium dioxide, and 2-methylimidazole, which are known to the State of California to cause cancer, and bisphenol-A, which is known to the State of California to cause birth defects or other reproductive harm. For more information go to www.P65Warnings.ca.gov

Operating Instructions

Drum can be loaded into dolly using a Morse Model 90, or other suitable lifter for an upright drum.

Maintenance

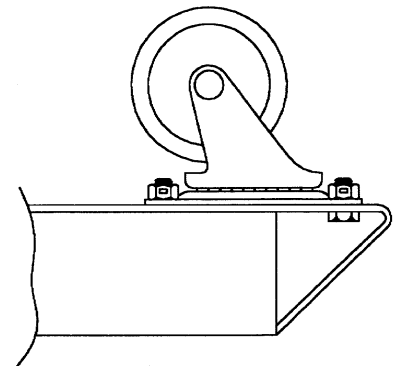
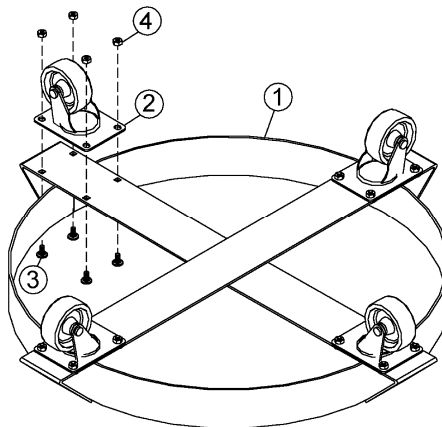
1. Periodically inspect all moving parts, framework and contact areas for signs of wear, fatigue or loosening. Tighten, adjust or replace parts as necessary to prevent failure and maintain proper function.
2. The caster and wheel bearings should be checked and oiled periodically.
3. Order replacement parts through your Morse Dealer.

Assembly Instructions

Unpack the following parts:

- Item 1 - (1) Base Weldment
- Item 2 - (4) 3" (76.2mm) Swivel Casters
- Item 3 - (16) 1/4" (6.35mm) - 20 x 1/2" (12.7mm) Carriage Bolts
- Item 4 - (16) 1/4" (6.35mm) - 20 Nylon Lock Nuts

1. Place base weldment (item 1) upside down so that caster mounting surfaces are facing upward.
2. Place the casters (item 2) over the pre-punched holes.
3. Push the bolts (item 3) up from below through pre-punched holes and caster plate holes. Secure with lock nuts (item 4).



When assembled properly and the dolly is turned upright, the nuts will be on the underside of the dolly so bolt heads will not interfere with the drum.