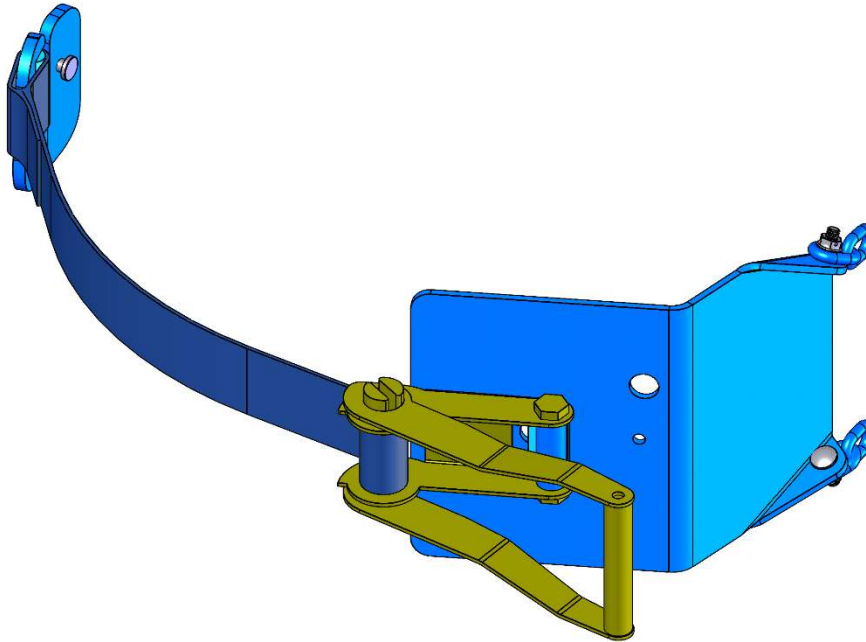


The Web Strap and Ratchet is designed to handle a 55-gallon (210L) steel drum.

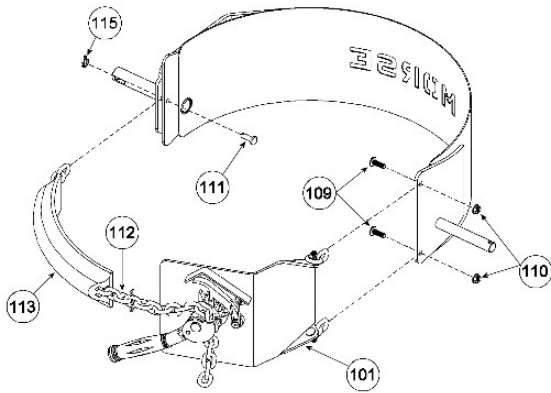
It requires either a Top Rim Clamp or Bracket Assembly when used for plastic or fiber drums.

Web Strap and Ratchet is NOT for use with spark resistant models.



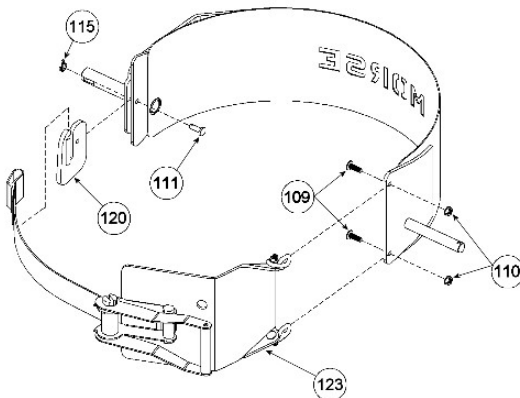
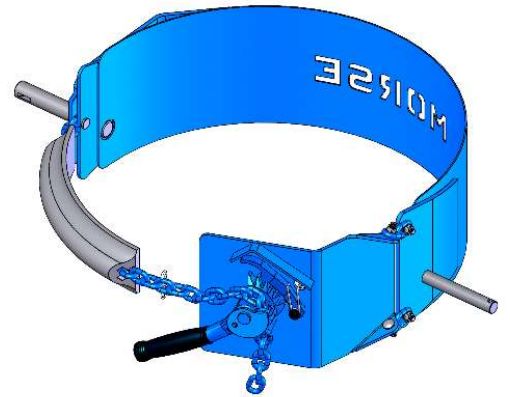
Maintenance

1. Periodic inspection for the general condition of structural and mechanical components is imperative for safe and efficient operation.
2. Periodically inspect all moving parts, framework, and contact areas for signs of wear, fatigue, or loosening. Tighten, adjust, or replace parts as necessary to prevent failure and maintain proper function.
3. Worn or damaged parts must be properly replaced with correct, genuine Morse parts.
4. The polyester web strap should be removed from service and replaced if any of the following are visible:
 - Acid or caustic burns
 - Melting or charring of any part of the strap
 - Holes, tears, cuts, snags or embedded articles
 - Broken or worn stitching in load bearing splices
 - Excessive abrasive wear

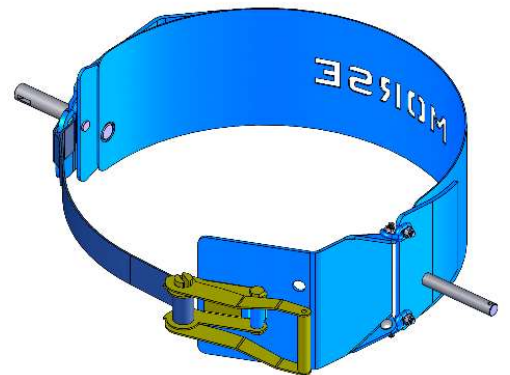


MORCINCH™ Drum Holder (5000-P) has Cinch Chain and Ratchet to secure around drum.

..



Install Kit 5115-P to convert to Web Strap and Ratchet to secure around drum.



Important - Before installing Web Strap and Ratchet Kit

1. Remove drum and be sure it is safe to work on the drum holder before proceeding.
2. Remove chain ratchet plate (item 101) by loosening two nuts (item 110). Keep nuts, as they will be reused.
3. Remove chain (item 112) with PVC chain cover (item 113). Pull cotter pin (item 115) out from clevis pin (item 111) and remove clevis pin from drum holder to remove chain.

Installation Instructions

1. Attach ratchet plate (item 123) to the drum holder. Place ratchet plate onto the two bolts (item 109) using the two chain hinges. Use vise grips to assure hinges are straight. Tighten nuts (item 110) onto bolts.
2. Attach clevis (item 120) to the drum holder. Insert clevis between the drum band and drive plate. Line up holes and insert clevis pin (item 111), insert cotter pin (item 115) through the clevis pin hole and bend ends.

Operating Instructions

1. Position the drum holder assembly with the back band at the middle of the drum. With the web strap and ratchet plate swung open, push the unit until the back band rests firmly against the drum. Some adjustment to the tilt angle of the drum holder may be necessary to ensure band fits flush on the drum.
2. Secure the drum in the drum holder:
 - Place the strap loop onto the clevis (item 120)
 - Insert straight end of web strap through slot in center post of ratchet handle
 - Operate ratchet handle to tighten the strap against drum
3. Releasing the drum:
 - Lower drum to the floor.
 - Squeeze the ratchet release lever and open all the way to unlock, then release the tension on the strap. Allow enough slack in the strap in order to remove strap loop from the clevis.
 - Swing ratchet plate open and remove drum.

