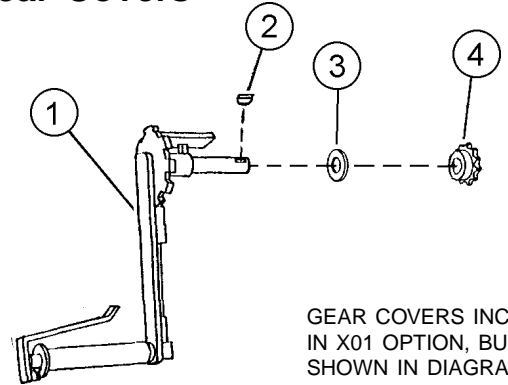


OPTION X01 Self-Stopping Hand Crank and Gear Covers Serial Number 0000 to 0803 (MMYY)

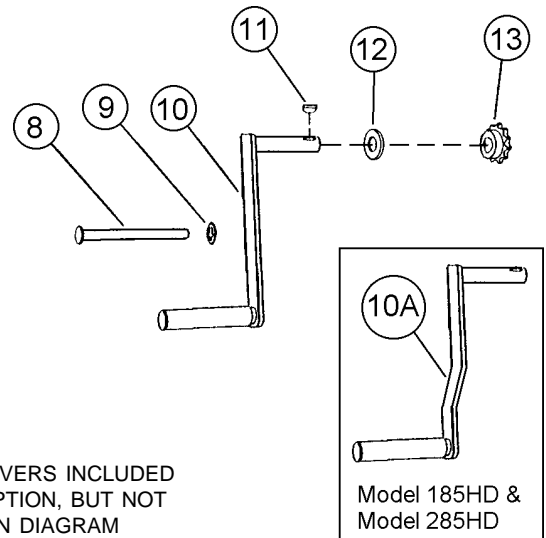
ITEM	QUANTITY	PART #	DESCRIPTION
1	1	5SSC-P	CRANK, SELF-STOPPING
2	1	735-P	KEY, WOODRUFF, SIZE 9, ASA606
3	1	55-P	WASHER, 3/4 SAE FL 1-1/2 OD
4	1	11-P	SPROCKET, #35 12T, 3/4" BORE
5	1	1050-P	COVER KIT, SQ, 185, 285, 400
6	1	1051-P	COVER KIT, SQ, 185HD SERIES
7	1	1053-P	COVER KIT, SQ, 285HD SERIES



GEAR COVERS INCLUDED IN X01 OPTION, BUT NOT SHOWN IN DIAGRAM

OPTION X02 Hand Crank and Gear Covers Serial Number 0000 to 0903 (MMYY)

ITEM	QUANTITY	PART #	DESCRIPTION
8	1	100-P	STOP PIN, HAND CRANK, 1/2"
9	1	718-P	PUSH NUT, 1/2"
10	1	5-P	HAND CRANK, 400, 405
10A	1	5HD-P	HAND CRANK, HD, W/ OFFSET
11	1	735-P	KEY, WOODRUFF, SIZE 9, ASA606
12	1	55-P	WASHER, 3/4 SAE FL 1-1/2 OD
13	1	11-P	SPROCKET, #35 12T, 3/4" BORE
14	1	1050-P	COVER KIT, SQ, 185, 285, 400
15	1	1051-P	COVER KIT, SQ, 185HD SERIES
16	1	1053-P	COVER KIT, SQ, 285HD SERIES

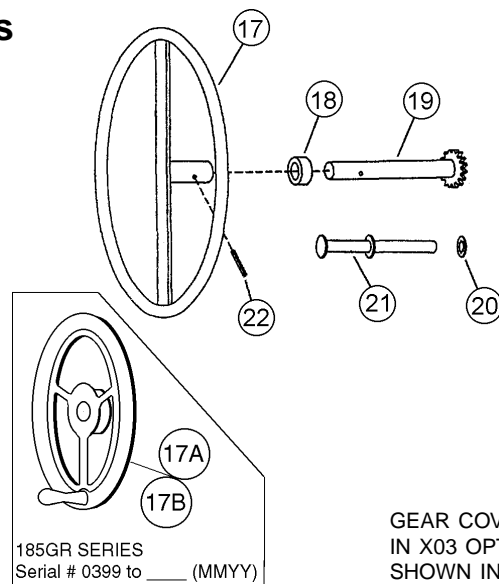


GEAR COVERS INCLUDED IN X02 OPTION, BUT NOT SHOWN IN DIAGRAM

Model 185HD & Model 285HD

OPTION X03 Hand Wheel and Gear Covers Serial Number 0000 to 0597 (MMYY)

ITEM #	QUANTITY	PART #	DESCRIPTION
17	1	2685-P	HANDWHEEL, 16", 3/4" BORE
17A	1	2813-P	HANDWHEEL, 10", 185GR, 3/4"
17B	1	2874-P	HANDWHEEL, 10", 285GR, 5/8"
18	1	1411-P	SPACER, FOR SHAFT W/ 12T
19	1	1302-P	SHAFT W/ 12T SPROCKET, POCKET
20	1	718-P	PUSH NUT, 1/2"
21	1	101-P	STOP PIN CPT, HANDWHEEL
22	1	64-P	ROLL PIN, 3/16 X 1-1/4
23	1	1050-P	COVER KIT, SQ, 185, 285, 400
24	1	1051-P	COVER KIT, SQ, 185HD SERIES
25	1	1053-P	COVER KIT, SQ, 285HD SERIES



185GR SERIES
Serial # 0399 to ____ (MMYY)

GEAR COVERS INCLUDED IN X03 OPTION, BUT NOT SHOWN IN DIAGRAM