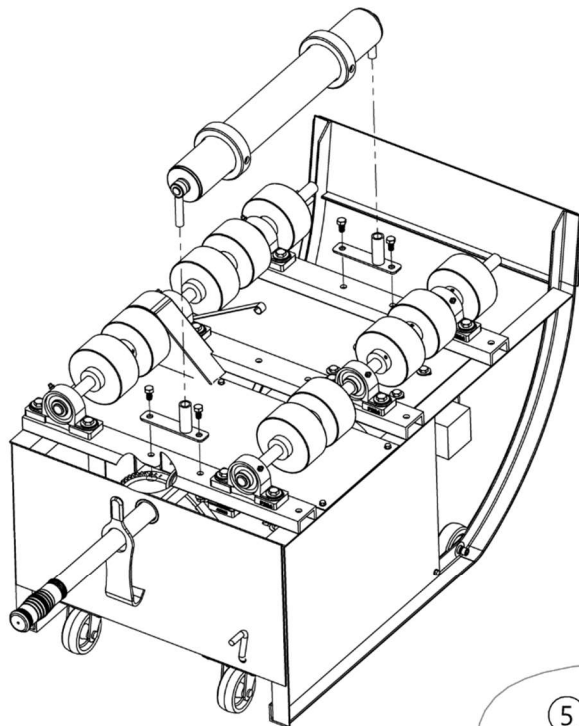
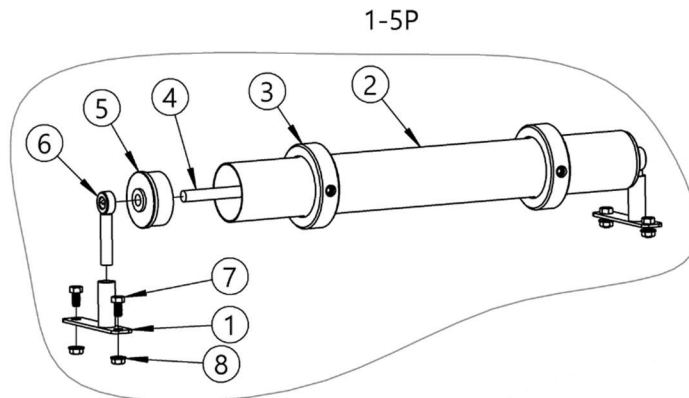


**Idler Attachment to Roll 1 to 5 gallon (4 to 19 liter) size pail or can on Wheeled 201 Series Drum Roller**

**Installation Instructions**



1. Fasten each roller base (item 1) onto the rotator channel as shown in diagram. Use the four bolts (item 7) and four whiz-lock nuts (item 8) provided.
2. With the roller tube (item 2), collars (item 3), roller axle (item 4), tube bearing (item 5), and roller holder (item 6) assembled as shown, slide both roller holders (item 6) directly inside each roller base tube. Tighten down both collars on roller holders (item 6).
3. Adjust large collars (item 3) on the roller tube (item 2) far enough apart so that the can rolls between them.
4. Adjust the drive wheels on the rotator to roll the can.



ITEM NO.	PART NUMBER	DESCRIPTION	QTY.
1	1201-P	ROLLER BASE WELD, 1-5 GAL	2
2	1197-P	ROLLER TUBE, 1-5 GAL IDLER	1
3	1195-P	COLLAR, 2-9/16" ID, 1-5 GAL	2
4	1199-P	ROLLER AXLE, 1-5 GAL IDLER	1
5	1906-P	TUBE BRG, 1/2" BORE	2
6	1200-P	ROLLER HOLDER, WELD, 1-5	2
7	215-P	HHCS, 5/16-18 X 5/8 GR2	4
8	1634-P	NUT, 5/16-18 WHIZ LOCK	4