

Parts Diagram for Part # 101ZSS-P Drum Holder (Saddle)

Used on

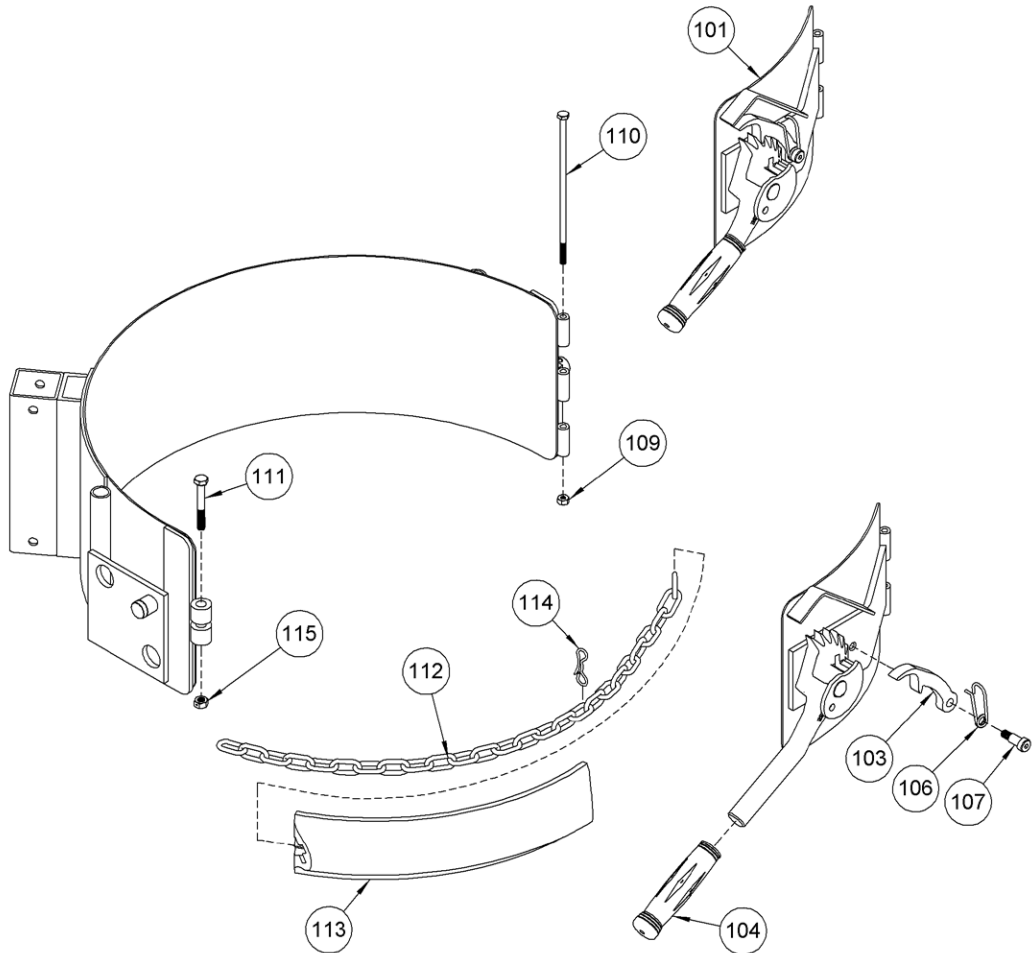
- 82A-SS Series with Serial Number 1114 to 0515 (MMYY)
- Model 80i-SS with Serial Number 1114 to 0515 (MMYY)
- Model 85i-SS with Serial Number 1114 to 0515 (MMYY)



IMPORTANT NOTE

4-Digit serial numbers are simply the month & year of manufacture

Example: 0802 is August 2002



ITEM	QTY.	PART #	DESCRIPTION
101*	1	727ASS-P	RATCHET HINGE PLATE CPT 1/4 SS
103	1	168SS-P	PAWL, SILVER POWDER CT
104	1	4409-P	GRIP, HANDLE 7/8" X 4-3/4", RED
106	1	169SS-P	SPRING, PAWL, SS
107	1	170SS-P	SCREW, 3/8" DIA SHOULDER, SS
109*	1	1518SS-P	NUT, 1/4-20 NYLON LOCK, SS
110*	1	1296SS-P	HHCS, 1/4-20 X 7-1/2, SS
111*	1	82SS-P	HHCS, 3/8-16 X 2-1/4, SS
112*	1	4408-P	CHAIN, 9/32 CINCH, SS, 38 LINK
113*	1	4414-P	COVER, CINCH CHAIN, FLEX PVC
114	1	4710-P	PIN, BOW TIE COTTER, MOR
115*	1	3981SS-P	NUT, 3/8-16 NYLON LOCK, SS

* Recommended spare parts