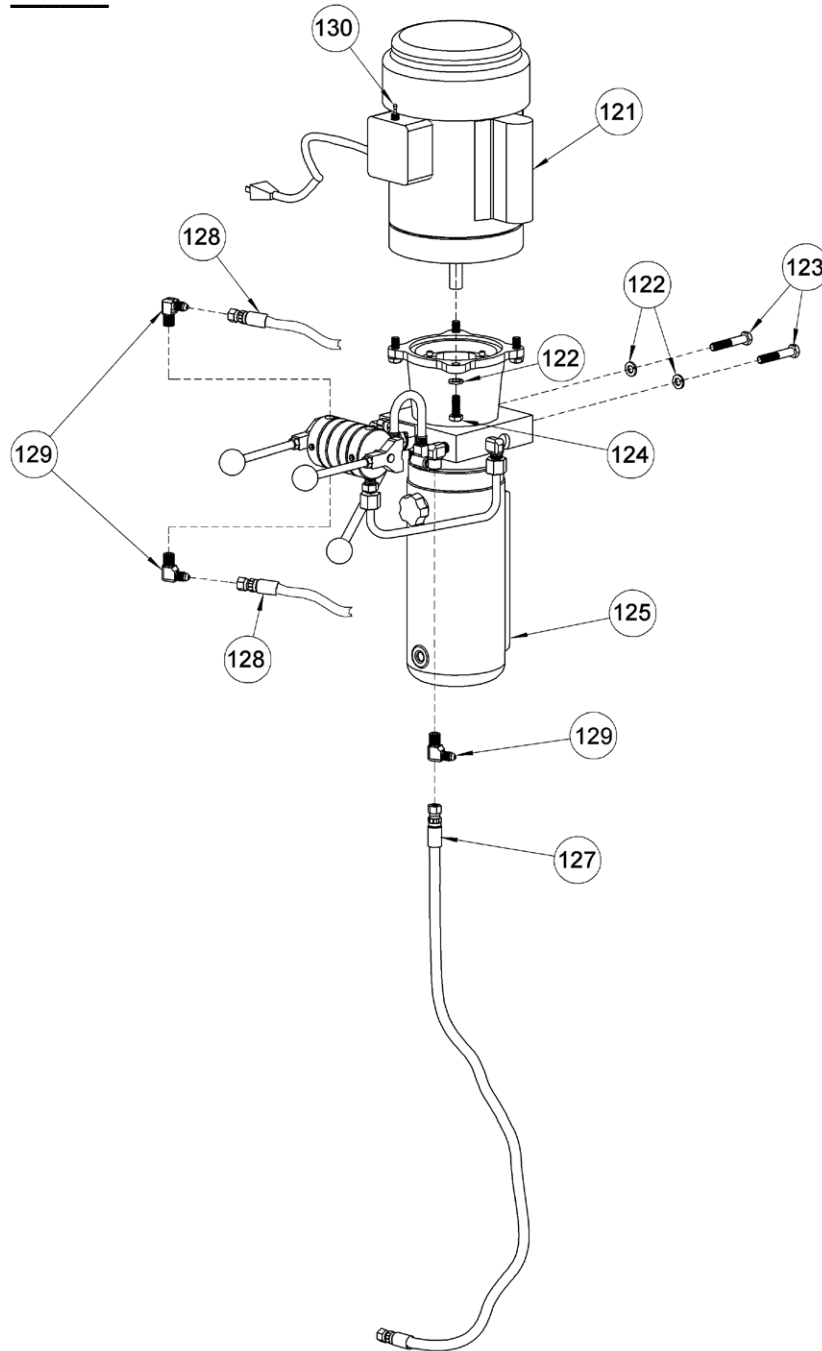


**Parts List and Diagram for Option # 110-520 AC Power Lift and Tilt**  
**Used on Morse 2-Stage 106" Lift Vertical-Lift Drum Pourers**  
**with serial # 272464 to \_\_\_\_\_**



ITEM	QTY.	PART #	DESCRIPTION
121	1	1062-P	MOTOR 1HP 1PH TEFC 56C W/ CORD
122	6	1474-P	WASHER, 3/8 SPLIT LOCK
123	2	82-P	HHCS, 3/8-16 X 2-1/4 GR2
124	4	1572-P	HHCS, 3/8-16 X 1 GR2
125	1	M4507-P	HYD POWER PACK, -110, -114

ITEM	QTY.	PART #	DESCRIPTION
127	1	3573-P	HYD HOSE ASM, VERT, CYL, 45"
128	2	5816-P	HYD HOSE ASM, 114", 2X PT ITA
129	3	765-P	HYD FIT, MALE ELBOW, FLARE 400
130	1	3633-P	SWITCH, TOGGLE, MOMENTARY, 400