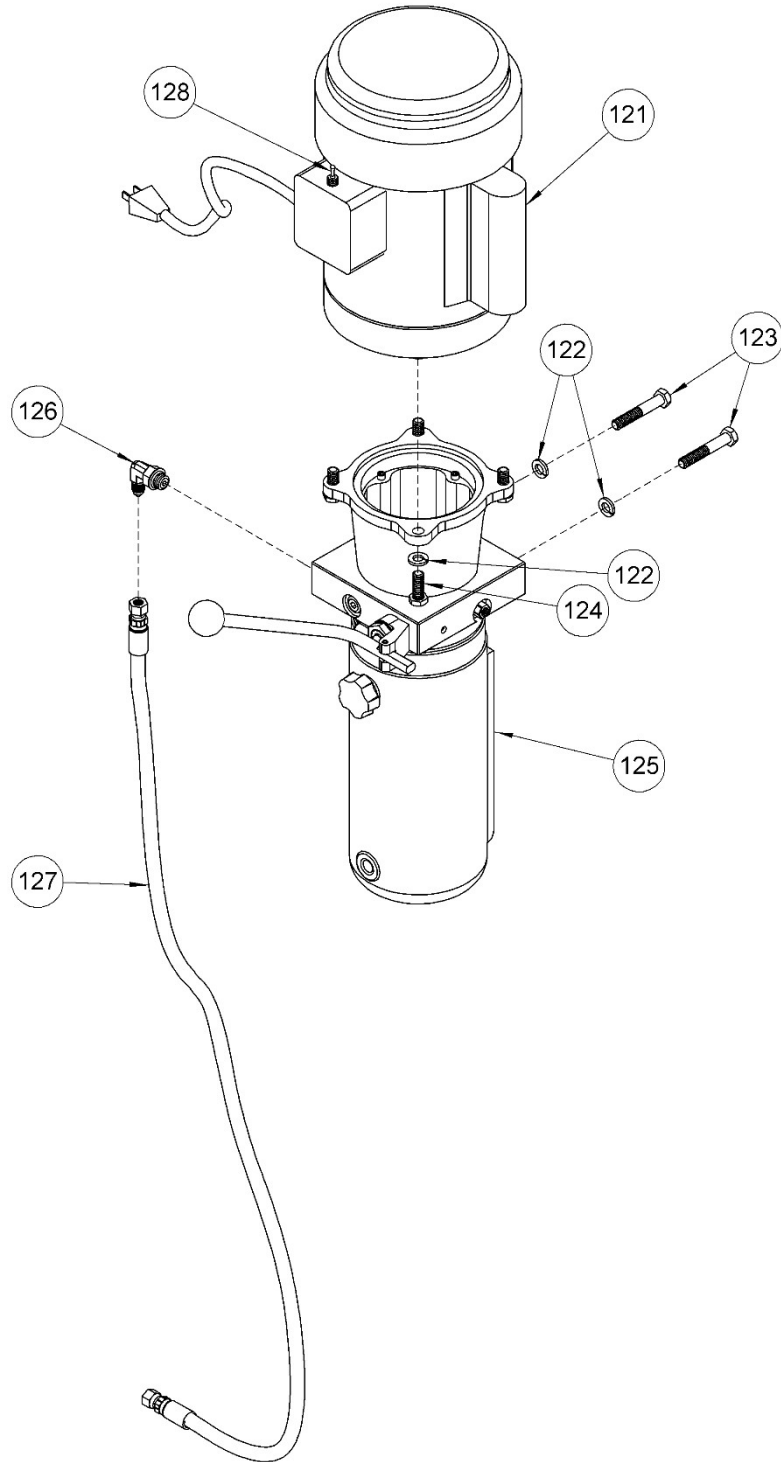


Assembly 120-410

AC Power Lift Components

SN 1210 to Current (MMYY) or 400000 to Current



Assembly 120-410

AC Power Lift Components

SN 1210 to Current (MMYY) or 400000 to Current

ITEM	QTY.	PART NUMBER	DESCRIPTION
121	1	1062-P	MOTOR 1HP 1PH TEFC 56C W/ CORD
122	6	1474-P	WASHER, 3/8 SPLIT LOCK
123	2	82-P	HHCS, 3/8-16 X 2-1/4 GR2
124	4	1572-P	HHCS, 3/8-16 X 1 GR2
125	1	M4509-P	HYD POWER PACK, -120, -124
126	1	3610-P	HYD FIT, MALE ELBOW, SAE
127	1	5180-P	HYD HOSE ASM, 28"
128	1	3633-P	SWITCH, TOGGLE, MOMENTARY, 400