

## CONTENTS

- Assembly Instructions
- Parts List and Diagram

## Model 160

4-Wheel Drum Truck

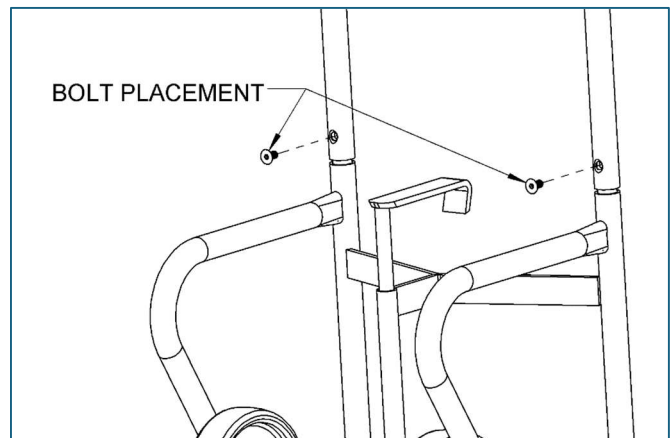
Wheels inside frame

Capacity: 1000 Lb. (454 kg)

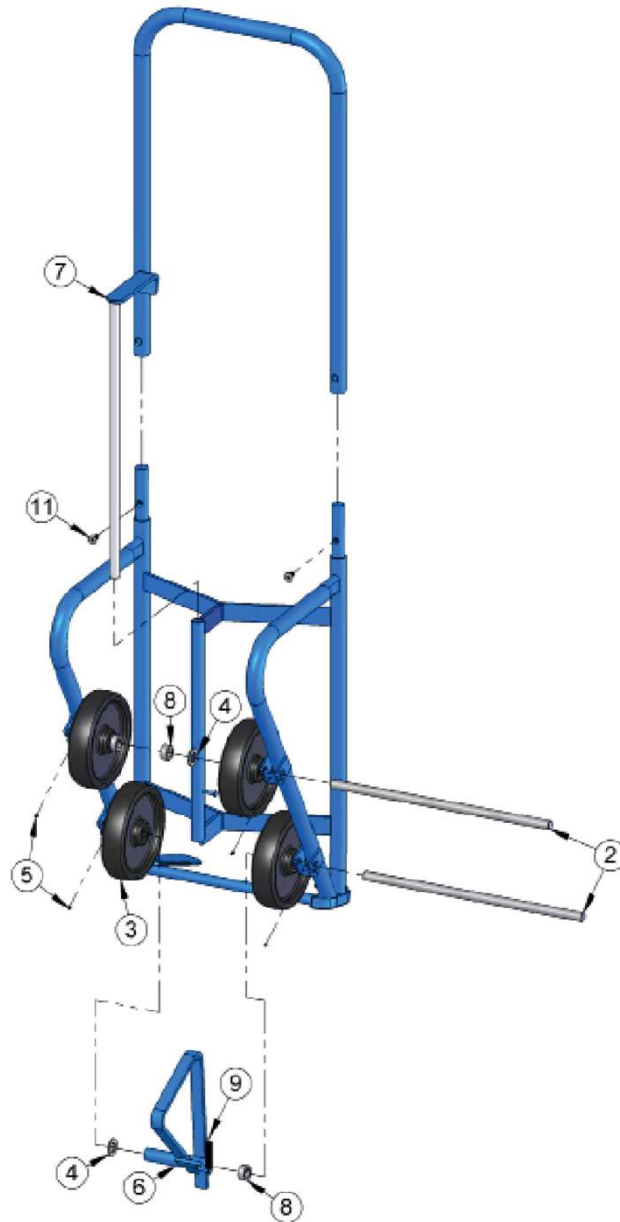


## Assembly Instructions

1. Insert Hook Weld (item 7) into tube of drum truck base with holes aligned.
2. Install handle onto drum truck base. Secure with 2 screws (item 11) using 7/32" hex wrench.



**WARNING** - This product can expose you to chemicals including barium sulfate, cobalt, titanium dioxide, and 2-methylimidazole, which are known to the State of California to cause cancer, and bisphenol-A, which is known to the State of California to cause birth defects or other reproductive harm. For more information go to [www.P65Warnings.ca.gov](http://www.P65Warnings.ca.gov)



ITEM	QTY.	PART NUMBER	DESCRIPTION
2	2	1355-P	AXLE, 19.75", 160
3	4	87-P	WHEEL, MORTUF, 8", 3/4" BRG
4	4	55-P	WASHER, 3/4 SAE FL 1-1/2 OD
5	4	1000-P	SET SCREW, 1/4-20 X 1/4
6	1	1369-P	STAND WELD, 160
7	1	5941-P	HOOK WELD, 160
8	4	15-P	COLLAR, 3/4" ID
9	1	1114-P	SPRING, EXTENSION, 160
11	2	4685-P	SCREW, HEX DRIVE 3/8-16 X 3/4