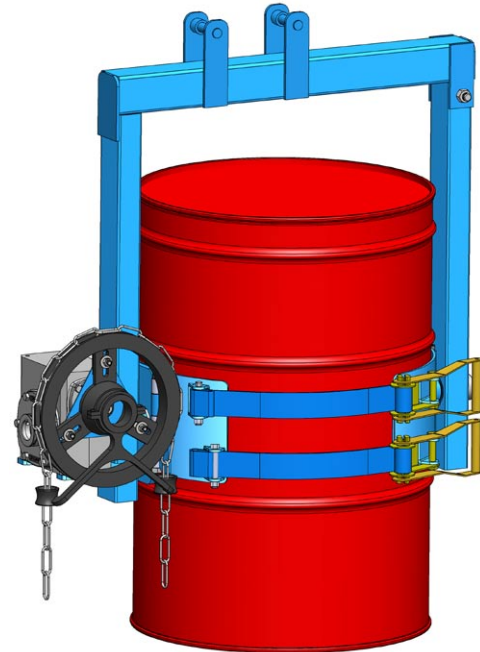


CONTENTS

	Page
Receiving Procedures.	1
Warranty.	1
Safety Information.	1 - 2
Machine Description.	3
Assembly Instructions.	3
Operating Instructions.	4
Maintenance.	4
Parts List and Diagram.	5

Operator’s Manual
for Morse
Extra Heavy-Duty Kontrol-Karrier

Model 185A-GR
Serial number 0218 to 0718 (MMYY)



Receiving Procedures

Every Morse drum handler is inspected prior to shipping. However, damage may be incurred during transit.

- Check for visible damage. If you choose to accept damaged freight, always sign noting the damage on the **Bill of Lading**.
- Document the damage and have the truck driver sign. We recommend keeping a digital camera at your receiving dock for this purpose.
- Open packages expeditiously to check the condition of the goods. There is only a 24 hour window to notify the carrier of any concealed damage.
- Immediately **report all damage to the shipping company!** Then you may contact Morse for assistance with your freight claim.
- Morse Manufacturing will not be held responsible for any damaged freight that is not signed for as damaged.

Limited 2 Year Warranty

Morse drum handling equipment is guaranteed against defects in workmanship or materials for two years when used properly within its rated capacity. Warranty does not cover wear from normal use or damage from accident or abuse. Motors and other purchased parts carry the warranties of their manufacturers.

For warranty claims, contact your Morse Dealer to obtain a return authorization number, and for return freight advice. Return freight must be prepaid.

In all instances, liability is limited to the purchase price paid or to repairing or replacing the product. Customer assumes liability for any modifications, unauthorized repairs or parts substitution.

Safety Information

While Morse Manufacturing Co. drum handling equipment is engineered for safety and efficiency, a high degree of responsibility must be placed upon the machine operator to follow safe practices, based primarily on common sense, upon which true safety depends.


Failure to follow the safety precautions in this manual can result in personal injury or property damage. Observe the same precautions as with similar machinery where carelessness in operating or maintenance is hazardous to personnel. Carefully read the safety precautions below and throughout this manual.


Review the Material Safety Data Sheet(s) for the material(s) in the drum(s) and take all necessary precautions. Safety shoes, work gloves, hard hat and other personal protective devices are recommended.


Prior to initial use, inspect all moving parts and test rotation of chain wheel and drum holder assembly. Inspect drum holder assembly for proper operation. Perform necessary load test, inspections, operator training, etc.

Operator's Manual for Morse Model 185A-GR Extra Heavy-Duty Kontrol-Karrier
Serial number 0218 to 0718 (MMYY)

Safety Information (continued)

 **DANGER** - Indicates a situation which, if not avoided, will result in serious injury or death. This signal word is limited to the most extreme situations.

 **WARNING** - Indicates a situation which, if not avoided, could result in serious injury or death.

 **CAUTION** - Indicates a situation which, if not avoided, can result in damage to the machine.



WARNING - Kontrol-Karriers are designed to handle one drum of the types listed at the top of page 3. Machine Description. DO NOT attempt to handle any other type of drum or object.



WARNING - DO NOT exceed the weight capacity of 2000 Lb. (907 kg) for FULL drum. 1,000 Lb. (454 kg) for HALF-FULL drum.



WARNING - DO NOT operate damaged or malfunctioning unit, or a unit with missing parts.



WARNING - DO NOT lift people or suspend loads over people. Stay clear of suspended loads.



WARNING - DO NOT lift loads higher than necessary.



WARNING - DO NOT leave suspended loads unattended.



WARNING - DO NOT remove or obscure warning labels.



WARNING - DO NOT operate without first having read and understood operating manual.



WARNING - DO NOT make alterations or modify the unit. Under no circumstances should any modifications be made to the Morse machinery without factory authorization. Any modifications may void the warranty. This machine was designed to perform a specific job and alterations may result in injury to operator or machine.



WARNING - Wear safety shoes with non-slip soles and hard toe protection.



CAUTION: DO NOT allow drum to impact on floor, ground, etc.



WARNING: This product can expose you to chemicals including cobalt, titanium dioxide, and 2-methylimidazole, which are known to the State of California to cause cancer, and bisphenol-A, which is known to the State of California to cause birth defects or other reproductive harm. For more information go to www.P65Warnings.ca.gov

Operator's Manual for Morse Model 185A-GR Extra Heavy-Duty Kontrol-Karrier
Serial number 0218 to 0718 (MMYY)

Machine Description

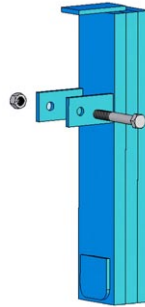
Model 185A-GR Extra Heavy-Duty Kontrol-Karrier is designed to lift, transport, and dispense a ribbed 55-gallon (208 liter) steel drum 22.5" (57.2 cm) in diameter. The maximum full-drum capacity is 2000 Lb. (907 kg). The capacity is derated to 1000 Lb. (454 kg) for a half-full drum. The half-full rating is based on the tilt mechanism's capacity for handling an unbalanced bottom-heavy drum.



Options



Model # 55/30-19GR
Diameter Adaptor



Kit # 461-P
Counterweight



Kit # 3009-P
10" Hand wheel

To handle an 18.5" (47 cm) diameter ribbed 30-gallon (114 liter) steel drum with model 185A-GR, quickly and easily install model 55/30-19GR Diameter Adaptor in the drum holder. Then simply lift the Diameter Adaptor back out to go back to handling a 55-gallon (208 liter) steel drum.

Counterweight Kit # 461-P to keep Kontrol-Karrier hanging plumb without drum in holder.

10" Hand wheel Kit # 3009-P for drum tilt control, replaces chain wheel and pull chain.

Important

1. Please read all instructions thoroughly before attempting to operate your new Morse drum handler.
2. Prior to initial use, inspect all moving parts and test rotation of chain wheel and saddle assembly. Inspect saddle assembly for proper operation. Perform necessary load test, inspections, operator training, etc.
3. When loading, unloading, operating, or maintaining your MORSE drum handler, always use care and good judgment. Maintain secure footing and a firm hold. Keep hands and loose clothing away from all moving parts. Never allow anyone to be below any part of a raised drum handler or drum. Read operating instructions and review the pictures in the sales brochure before operation.
4. The Kontrol-Karriers is a "Group 1 structural and mechanical" below-the-hook lifting device which are covered by the American National Standard ASME B30.20. The user should comply with all aspects of this standard.
5. The model 185A-GR has a maximum capacity rating of 2000 Lb. (907 kg) full drum and 1000 Lb. (454 kg) half-full drum and is designed to lift, move and pour a 55-gallon (208 liter) steel drum. DO NOT exceed these ratings. Exceeding these ratings or handling drums other than those mentioned above is unsafe and could result in equipment damage, excessive wear or awkward handling.
6. Review the Material Safety Data Sheet(s) for the material(s) in the drum(s) and take all necessary precautions. Safety shoes, work gloves, hard hat and other personal protective devices are recommended.

Assembly Instructions

1. Remove chain wheel (item 11) and bolts, washers and nuts (items 8, 9 and 14) from the box.
2. Slide chain wheel onto speed reducer (item 17) input shaft with the chain guide facing outward.
3. Align the three holes in the chain wheel with the holes in the triangle (item 12). Fasten the bolts, washers, and nuts exactly as shown on the parts diagram.
4. Remove the metal screw-plug on top of the speed reducer.
5. Look into the hole to verify oil is in the speed reducer.
6. Install the plastic vent-plug in place of the metal screw-plug to allow internal pressure to equalize with atmospheric pressure.
7. Prior to initial use, inspect all moving parts and test rotation of chain wheel and saddle assembly. Inspect straps and ratchets for proper operation. Perform necessary load test, inspections, operator training, etc. as prescribed in the ANSI/ASME B30.20 standard.

Operator's Manual for Morse Model 185A-GR Extra Heavy-Duty Kontrol-Karrier
Serial number 0218 to 0718 (MMYY)

Operating Instructions

1. With Kontrol-Karrier standing on the floor, lower hoist and engage hoist hook into the lifting eye closest to the chain wheel.
2. Raise hoist to lift Kontrol-Karrier clear of floor and move it to the drum. (Kontrol-Karrier should hang plumb.)
3. Position Kontrol-Karrier at a height which aligns the saddle band with the center of the drum. Swing open ratchet hinge plate and strap hinge plate.
4. Secure drum into drum holder. Thread each strap through slot in ratchet. Operate ratchets to tighten straps against the drum.
5. Lower hoist hook until slack. Relocate hoist hook to lifting eye that is centered over drum.
6. Raise hoist and position the drum at the pouring station. While transporting, ensure that the drum is raised away from the floor to prevent the drum bottom from interfering with a pallet or other obstacle.
7. Pour the drum by pulling on the pull chain (item 10) and rotating the drum to a suitable pouring angle.
8. After pouring is completed, rotate the drum back to vertical position and lower hoist to return drum to floor. Relocate hoist hook to lifting eye closest to the chain wheel.
9. Remove drum by operating the ratchet to loosen each web strap around the drum. Release straps from ratchets and swing open hinge plates. Push Kontrol-Karrier away from drum.



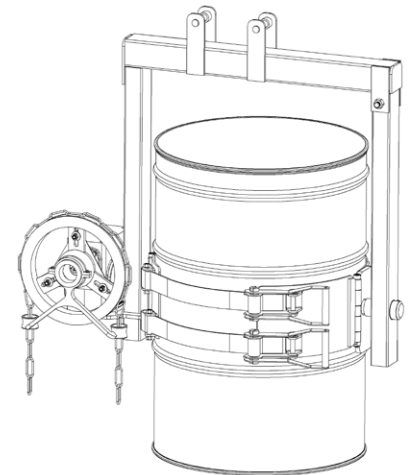
CAUTION: DO NOT allow drum to impact on floor, ground, or dumping station, etc.



CAUTION: DO NOT exceed weight capacity of 2,000 Lb. (907 kg) for FULL drum, 1,000 Lb. (454 kg) for HALF-FULL drum.

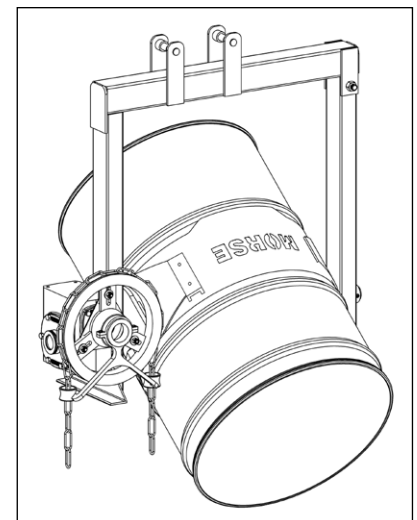


WARNING: Watch out for pinch points - Stay clear of moving parts.



Maintenance

1. Inspect oil level in gear box / speed reducer and fill with high quality, synthetic lubricant for gears if necessary. The speed reducer has been filled and tested prior to shipment. After operating a new machine for 1500 hours, the housing should be thoroughly flushed out, and new oil added to fill the housing to the oil level plug. The oil should be changed every 5000 operating hours thereafter with [Klubersynth UH1 6-460 \(#096060\)](#) or equivalent, or more often if operating conditions cause condensation of moisture resulting in sludge inside housing.
2. Periodically inspect all moving parts, framework, ratchet straps, and contact areas for signs of wear, fatigue, or loosening. Perform all inspections, load tests, and maintenance according to the ANSI/ASME B30.20 standard.
3. Worn or damaged parts must be properly replaced with the correct, genuine Morse parts.
4. Ensure all labels are in place. Product labels should be inspected periodically and cleaned as necessary to maintain good legibility. Please contact Morse Mfg. Co. for replacement labels.
5. Periodically inspect all moving parts, framework, ratchet, straps, fasteners and contact areas for signs of wear, fatigue, or loosening. The web strap should be removed from service & replaced if any of the following are visible:
 - Acid or caustic burns
 - Melting or charring of any part of the strap
 - Holes, tears, cuts, snags or embedded articles
 - Broken or worn stitching in load bearing splices
 - Excessive abrasive wear

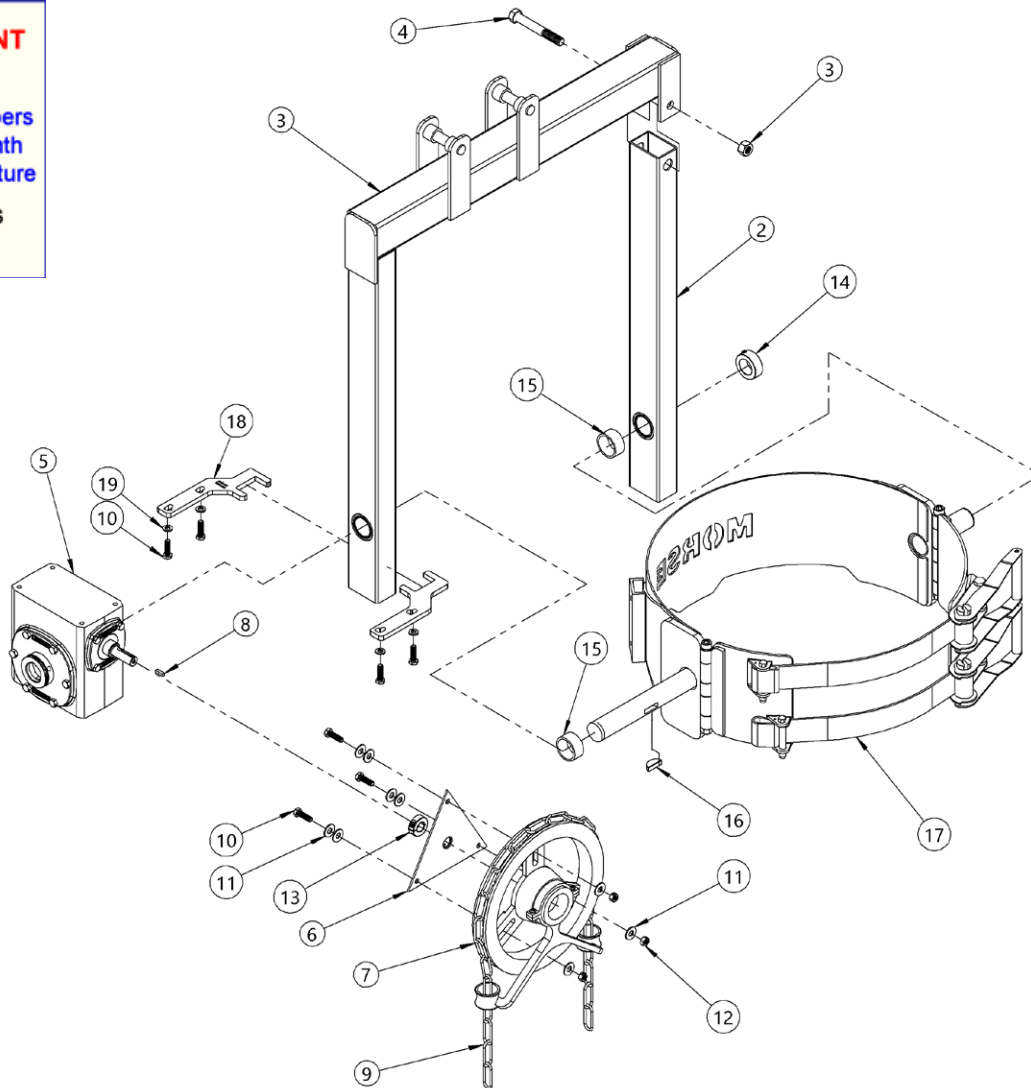


Operator's Manual for Morse Model 185A-GR Extra Heavy-Duty Kontrol-Karrier Serial number 0218 to 0718 (MMYY)

IMPORTANT NOTE

4-Digit serial numbers are simply the month & year of manufacture

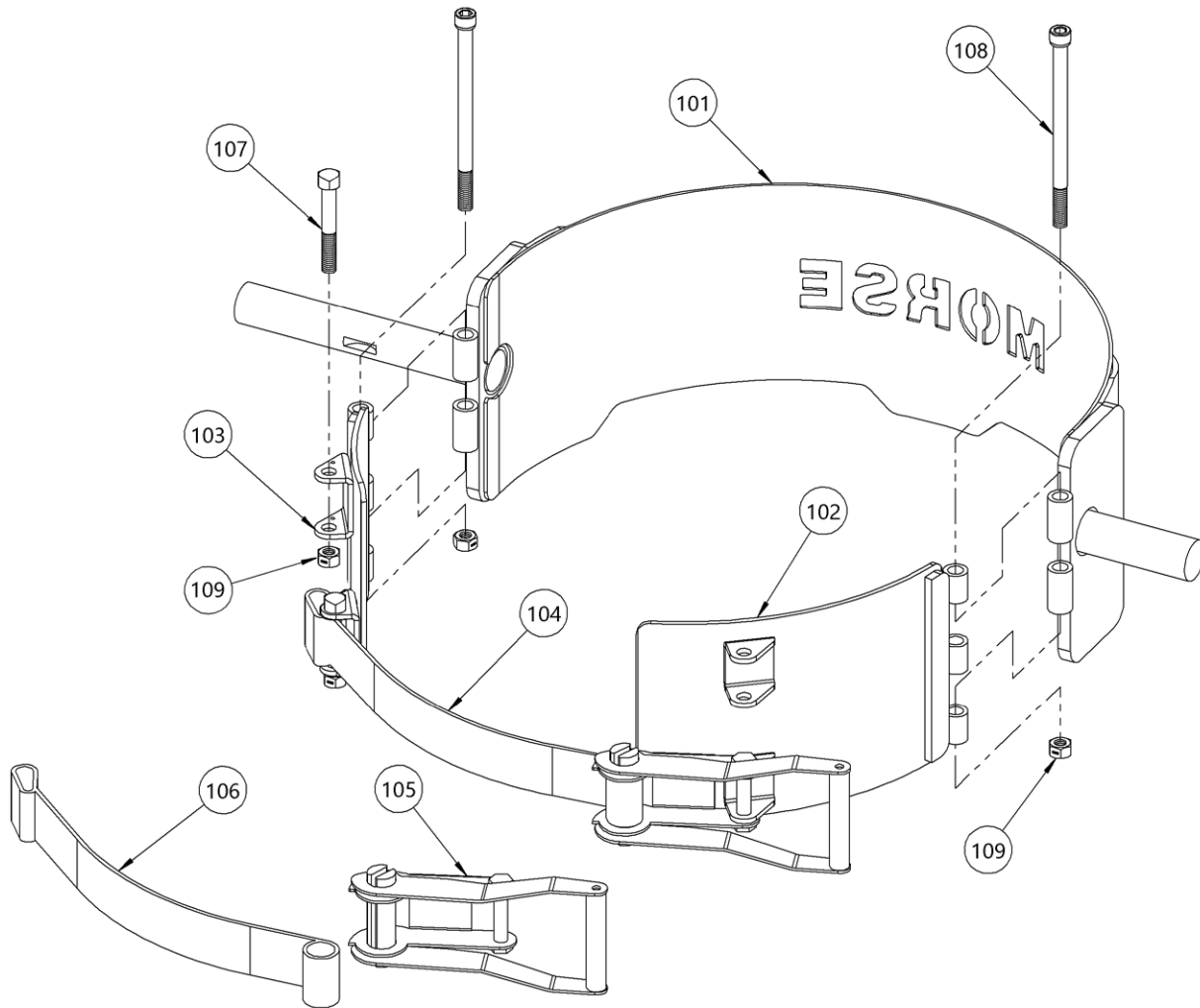
Example: 0802 is August 2002



ITEM NO.	PART NUMBER	DESCRIPTION	QTY.
1	1463-P	OVERHEAD WELD W/ BRG, 185GR	1
2	550-P	IDLER ARM W/ BRG, 185GR	1
3	1473-P	5/8 - 11 REV HEX LOC NUT	1
4	565-P	5/8 - 11 X 4-1/2 HHCS GR 5	1
5	514-P	SPEED REDUCER, 185GR	1
6	3222-P	TRIANGLE WELD, 185GR	1
7	500-P	CHAIN WHEEL W/ GUIDE 4/0 185GR	1
8	3191-P	KEY, SQUARE, 3/16 X 3/4"	1
9	2329-P	PULL CHAIN, 4/0 LOCK LINK, 13'	1
10	535-P	HHCS, 3/8-16 X 1-1/4 GR 5 ZINC	7
11	1166-P	WASHER, 3/8 USS 1" OD	9
12	1169-P	NUT, 3/8-16 REV HEX LOCK	3
13	2138-P	COLLAR, SINGLE SPLIT, 3/4"	1
14	570-P	COLLAR, 1-1/2" ID	1
15	5184-P	SPACER, GR SADDLE, PIPE	2
16	525-P	KEY, WOODRUFF, SIZE F, ASA1211	1
17	5991-P	SADDLE ASM, GR, 195 STRAP	1
18	5940A-P	TORQUE ARM, 185A-GR	2
19	1474-P	WASHER, 3/8 SPLIT LOCK	4

Operator's Manual for Morse Model 185A-GR Extra Heavy-Duty Kontrol-Karrier
Serial number 0218 to 0718 (MMYY)

DRUM HOLDER (SADDLE) ASSEMBLY
PART # 5991-P



ITEM NO.	PART NUMBER	DESCRIPTION	QTY.
101	5991W-P	SADDLE WELD, GR, 195, STRAP	1
102	5187-P	HINGE PLATE, GR, RATCHET	1
103	6006-P	HINGE PLATE, GR, DRIVE	1
104	4449-P	STRAP RATCHET ASM, 2" X 3'	2
105	5498-P	RATCHET ONLY, 4449-P	1
106	5497-P	WEB STRAP ONLY, 4449-P	1
107	4317-P	HHCS, 1/2-13 X 3"	2
108	3592-P	1/2 -13 X 7-1/2" SHCS	2
109	810-P	NUT, 1/2-13 REV HEX LOCK	4