

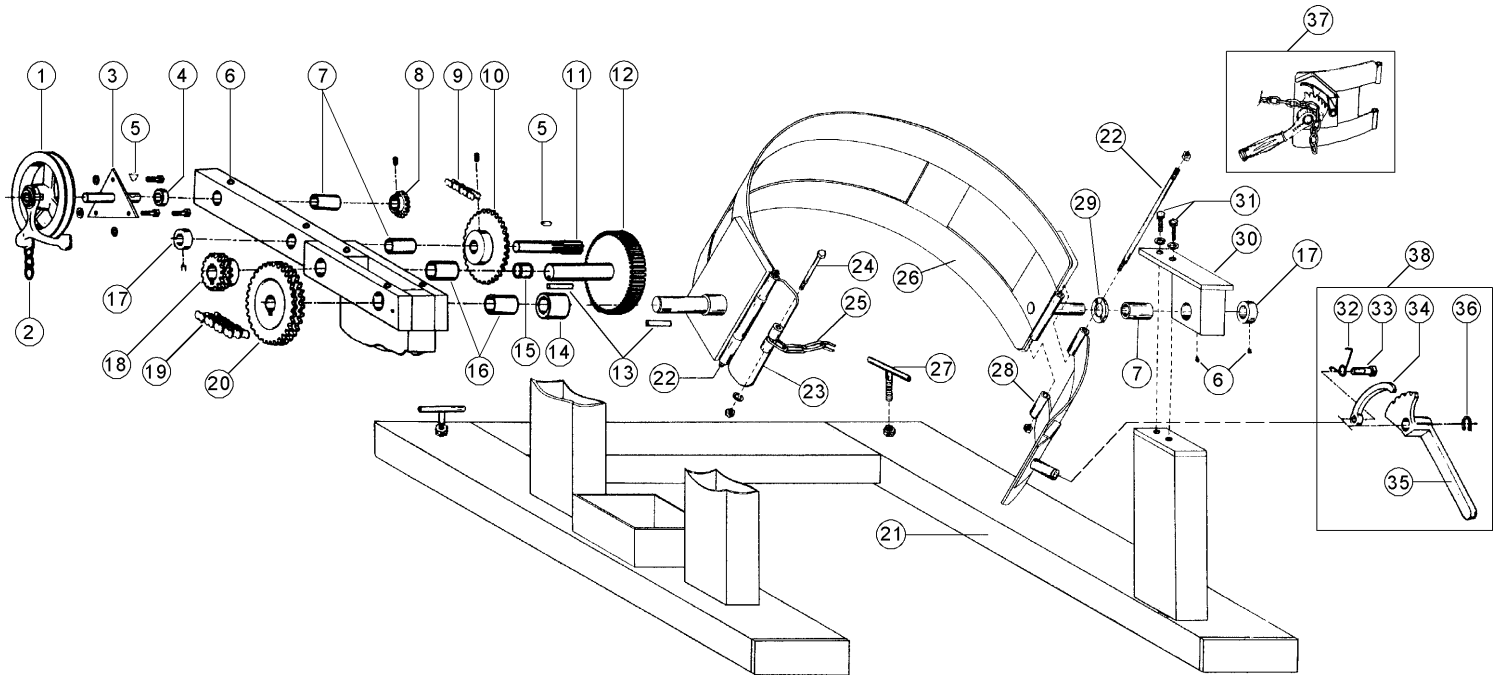
MORSE 285A-HD SERIES FORK LIFT-KARRIER

Serial Number 0981 to 1084 (MMYY)

ITEM NUMBER	MODEL LETTER SUFFIX see note #1	QTY	P/N	DESCRIPTION
1		1	1-P	CHAIN WHEEL #1-1/2 W/ GUIDE
2		1	2-285-P	PULL CHAIN, 1/0, 20' LENGTH
3		1	3-P	TRIANGLE & SHAFT W/ BOLTS
4		1	4-P	SPACER, CHAIN WHEEL, PRE 19-P
5		2	735-P	KEY, WOODRUFF, SIZE 9, ASA606
6		6	33-P	ALEMITE GREASE FIT
7		3	7-P	BEARING, 3/4" ID X 1-1/2"
8		1	11-P	SPROCKET, #35 12T, 3/4" BORE
9		1	12-P	CHAIN, ROLLER, #35 W/ M LINK
10		1	13-P	SPROCKET #35 36T, 3/4" BORE
11		1	14-P	GEAR, PINION, 7 TOOTH
12		1	27-P	SPUR GEAR W/ 1" SHAFT, HD TYPE
13		2	736-P	KEY, WOODRUFF, SIZE 15, ASA808
14		1	34-P	DRIVE SHAFT SPACER HD PRE85
15		1	28-P	SPACER, SPUR GEAR
16		2	8-P	BEARING, SH326, PRE 18-P
17		2	15-P	COLLAR, 3/4" ID
18		1	30-P	SPROCKET #40D 16T, 1" BORE
19		1	31-P	CHAIN, ROLLER, #40D W/ M. LINK
20		1	32-P	SPROCKET #40D 32T, 1" BORE
21	A	1	52A-P	** BASE FRAME, 285A-HD
21	B	1	52B-P	** BASE FRAME, 285B-HD
22		2	157-P	HINGE PIN & NUTS, 3/8
23		1	150-P	CHAIN HINGE PLT, 285 TYPE
24		1	155-P	3/8 - 16 X 2-1/2 HHCS GR 2
25		1	180-P	CHAIN, CINCH, 3/16 ALLOY 33 LK
26	A	1	1460A-P	SADDLE CPT 285A-HD LONG IDLER
26	B	1	1460B-P	** SADDLE CPT 285B-HD LG IDLER
27		2	58-P	LOCK TEE SET SCREW, 285
28		1	159-P	RATCHET HINGE PLATE ONLY, 3/8"
29		1	55-P	WASHER, 3/4 SAE FL 1-1/2 OD
30		1	53-P	** BEARING BLOCK, 285, 285HD
31		2	57-P	BEARING BLOCK BOLTS
32		1	169-P	PAWL SPRING
33		1	170-P	3/8" DIA X 5/8" SHOULDER SCREW
34		1	168-P	PAWL, WITH DRILLED HOLE
35		1	165-P	RATCHET, MALLEABLE, SADDLE
36		1	166-P	SNAP RING, EXTERNAL, 5SSC-P 82
37		1	159-PC	RATCHET HINGE PLATE CPT, 3/8"
38		1	165KIT-P	KIT, RATCHET CHAIN TIGHTENER

Note #1: If no letter is shown, the part is for Models 285A-HD & 285B-HD
 "SADDLE COMPLETE" includes the drum band and appropriate attached moving parts, 24, 25 & 37.
 ** DISCONTINUED AND NO LONGER AVAILABLE. CONTACT FACTORY FOR RECOMMENDED REPLACEMENT.

PARTS DIAGRAM FOR
MORSE 285-HD HEAVY-DUTY FORKLIFT KARRIER
Serial Number 0981 to 1084 (MMYY)



For replacement parts, please contact your Morse dealer.

When ordering parts, please specify:

- Part number and description,
- Model number
- Serial number

Find model number and serial number on metal name plate attached to frame.