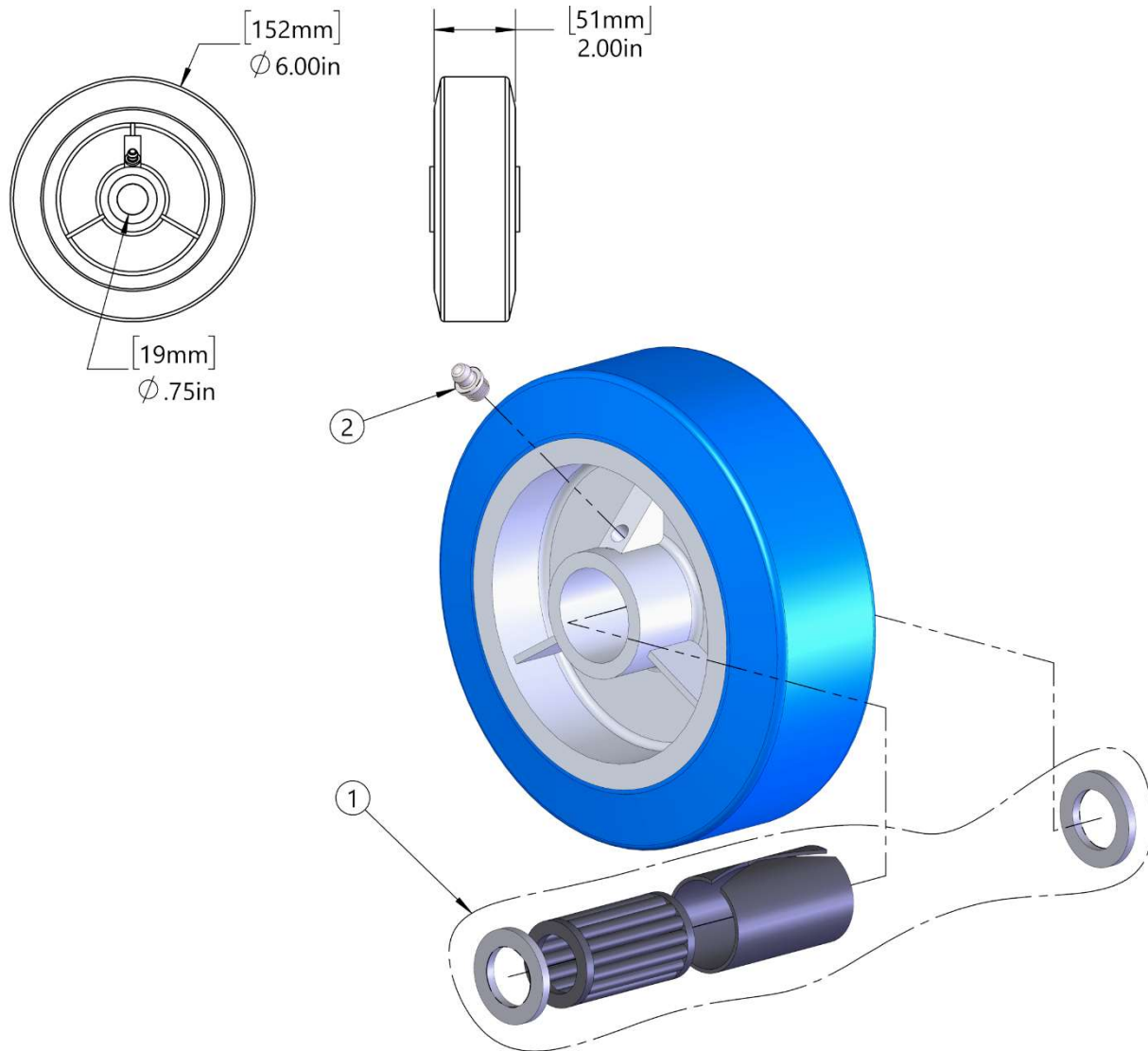


6" x 2" Idler Wheel used on Morse 456 and 5154 Series Drum Rollers

- 3/4" Roller bearing
- Neoprene tread
- Aluminum construction



ITEM	QTY.	PART NUMBER	DESCRIPTION
1	1	1875-P	BEARING / SLEEVE, 292-P
2	1	33-P	FIT, GREASE, 5/16" HOLE

NOTE: 1875-P INCLUDES (2) RETAINERS, BEARING AND SLEEVE