

PARTS LIST for Carriage Assembly on Scale Equipped Vertical-Lift Drum Pourers with Manual Tilt Serial # 192000 to _____

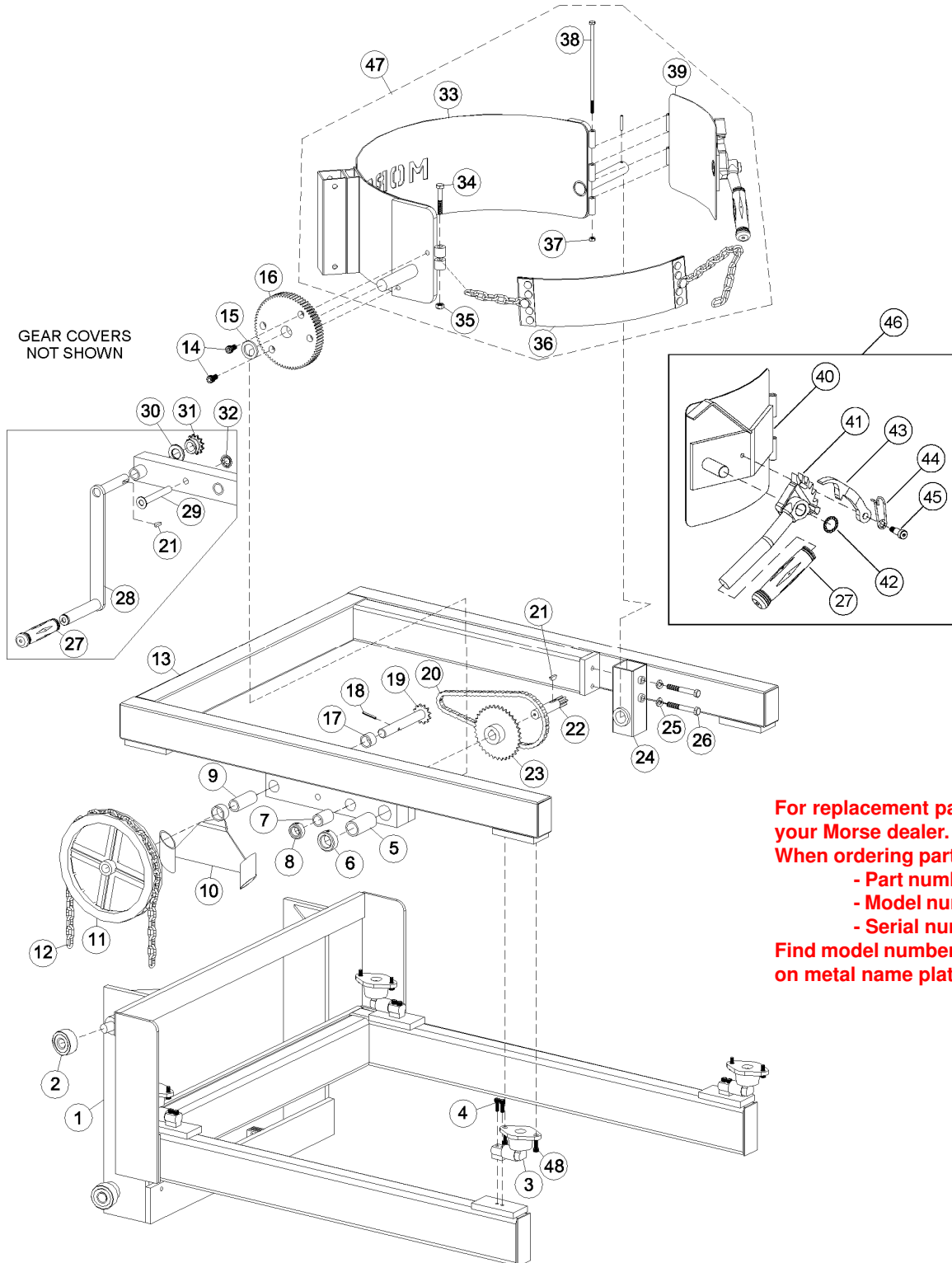
- Carriage Assembly 3036-P for 515 Series has hand crank tilt control
- Carriage Assembly Part # 30361-P for 525 Series has chain wheel tilt control

ITEM	MODEL	QTY	PART #	DESCRIPTION
1		1	3039-P	CARRIAGE WELD, SCALE
2		4	3194-P *	BEARING, CHANNEL ROLLER VERT
3		4	3243A-P *	LOAD CELL, SCALE, T, N
4		8	3467-P *	SHCS, 1/4-28 X 3/4 LOAD CELL
5		1	18-P *	BEARING, 1" ID X 2-1/2"
6		1	16-P	COLLAR, 1" ID
7		1	7-P *	BEARING, 3/4" ID X 1-1/2"
8		1	15-P	COLLAR, 3/4" ID
9		1	19-P *	BEARING, 3/4" ID X 2-1/2"
10	525	1	1304-P	GUIDE, POCKET CHAIN WHEEL
11	525	1	1303-P	POCKET CHAIN WHEEL, 3/4 BORE
12	525	1	3-185-P	PULL CHAIN, POCKET, 12' LENGTH
13		1	3041-P	YOKE WELD, SCALE MT
14		2	22-P	3/8 - 24 x 5/8" SHCS
15		1	29-P	SPACER, SPUR GEAR .15"
16		1	23-P *	GEAR, SPUR, 72T, 1" HOLE
17	525	1	1411-P	SPACER, SHAFT W/ 12T
18	515	1	64-P *	ROLL PIN, 3/16 X 1-1/4
18	525	2	64-P	ROLL PIN, 3/16 X 1-1/4
19	525	1	1302-P *	SHAFT W/ 12T SPROCKET, POCKET
20		1	12-P *	CHAIN, ROLLER, #35 W/ M LINK
21	515	2	735-P *	KEY, WOODRUFF, SIZE 9, ASA606
21	525	1	735-P	KEY, WOODRUFF, SIZE 9, ASA606
22		1	14-P *	GEAR, PINION, 7 TOOTH
23		1	13-P *	SPROCKET #35 36T, 3/4" BORE
24		1	3044-P *	SLIDING IDLER WELD, 3 X 2
25		2	1474-P	WASHER, 3/8 SPLIT LOCK
26		2	1315-P	3/8 - 16 X 2-3/4 HHCS GR 2
27	515	2	136-P	HANDLE GRIP, 7/8" X 4-3/4"
27	525	1	136-P	HANDLE GRIP, 7/8" X 4-3/4"
28	515	1	5-P	HAND CRANK, 400, 405
29	515	1	100-P	STOP PIN, HAND CRANK, 1/2"
30	515	1	55-P	WASHER, 3/4 SAE FL 1-1/2 OD
31	515	1	11-P *	SPROCKET, #35 12T, 3/4" BORE
32	515	1	718-P	PUSH NUT, 1/2"
33				SADDLE WELD (NOT SOLD SEPARATELY)
34		1	82-P	3/8 - 16 X 2-1/4 HHCS GR 2
35		1	1169-P	3/8 - 16 REV HEX LOC NUT
36		1	E14	FIBRE DRUM STRAP 14"
37		1	1297-P *	1/4 - 20 REV HEX LOC NUT
38		1	1296-P *	1/4 - 20 X 7-1/2 HHCS GR 5
39		1	726-P *	RATCHET HINGE PLATE CPT 1/4" A
40		1	731-P	RATCHET HINGE PLATE ONLY 1/4 A
41		1	165-P	RATCHET, MALLEABLE, SADDLE
42		1	710-P	RETAINER, RATCHET PUSH ON 3/4"
43		1	168-P	PAWL, WITH DRILLED HOLE
44		1	169-P	PAWL SPRING
45		1	170-P	3/8" DIA X 5/8" SHOULDER SCREW
46		1	165KIT-P	KIT, RATCHET CHAIN TIGHTENER
47		1	725U-P	SADDLE ASM, MT 500 SERIES
48		8	3890-P *	SHCS, 1/4-28 X 1-1/2 LOAD CELL
		1	1123-P	KIT, CARRIAGE PARTS, 510 MT

* Recommended Spare Parts. Can be ordered as KIT # 1123-P.

PARTS LIST for Carriage Assembly on Scale Equipped Vertical-Lift Drum Pourers with Manual Tilt Serial # 192000 to _____

- Carriage Assembly 3036-P for 515 Series has hand crank tilt control
- Carriage Assembly Part # 30361-P for 525 Series has chain wheel tilt control



For replacement parts, please contact your Morse dealer.

When ordering parts, please specify:

- Part number and description,
- Model number
- Serial number

Find model number and serial number on metal name plate attached to frame.