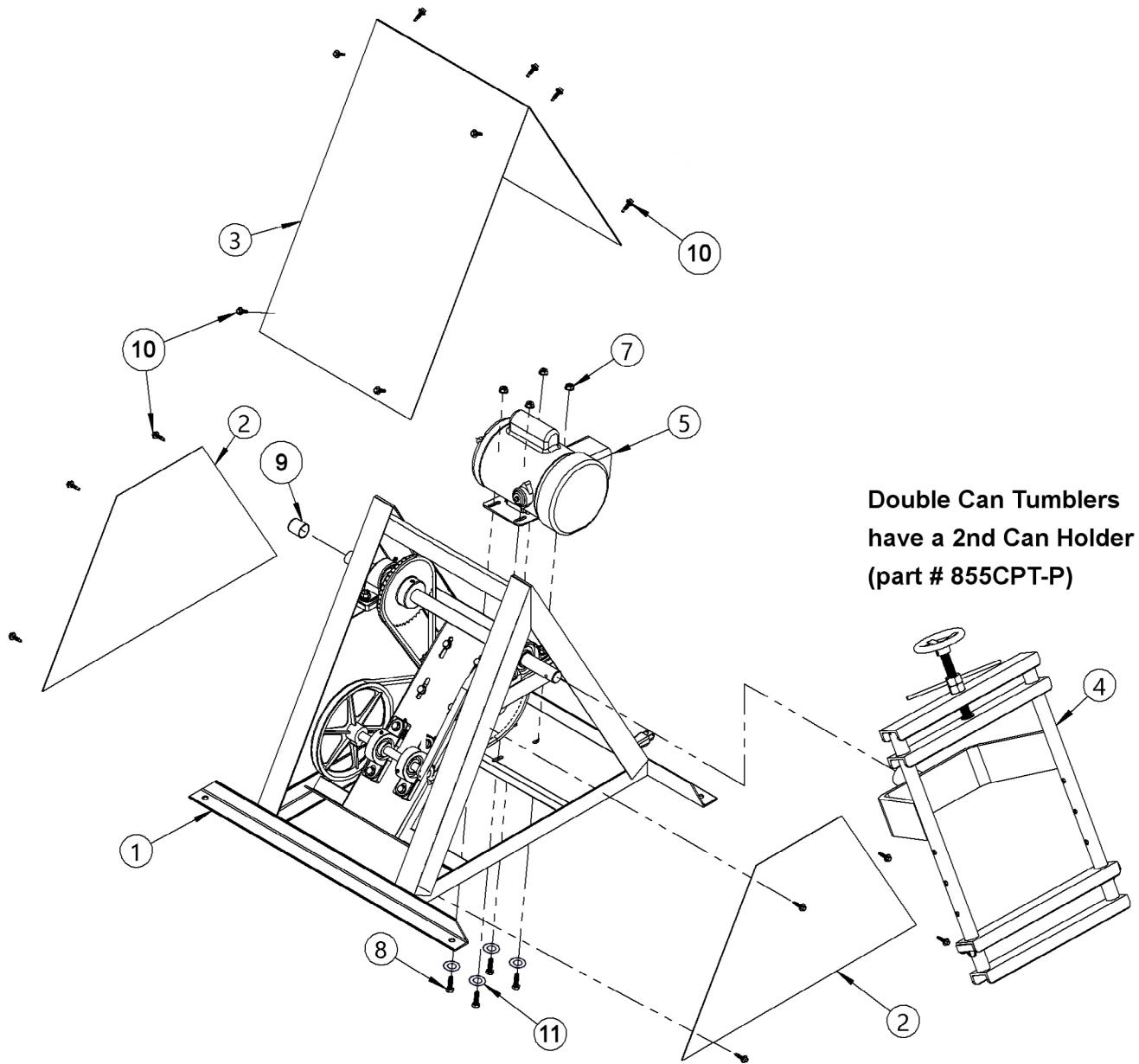


Parts Diagram for Morse 305 Series Can Tumblers with NO Timer
Serial Number 322027 to 406367



Double Can Tumblers
have a 2nd Can Holder
(part # 855CPT-P)

| ITEM | PART # | DESCRIPTION | QTY. |
|------|-------------------|-----------------------------|------|
| 1 | BASE ASSEMBLY | -- NOT SOLD SEPARATELY -- | 1 |
| 2 | 1892-P | COVER, SIDE 305 SERIES | 2 |
| 3 | 835-P | COVER, TOP 305 SERIES | 1 |
| 4 | 855CPT-P | CAN HOLDER CPT, 305 TYPE | 1 |
| 5 | MOTOR | >> SEE LIST AT RIGHT >> | 1 |
| 7 | 1634-P | NUT, 5/16-18 WHIZ LOCK | 4 |
| 8 | 35-P (AIR MODELS) | HHCS, 5/16-18 X 1 GR2 | 4 |
| 8 | 215-P (AC MODELS) | HHCS, 5/16-18 X 5/8 GR2 | 4 |
| 9 | 4235-P | CAP, PLASTIC, DRIVE SHAFT | 1 |
| 10 | 6009-P | SCREW, 12-24 X 7/8 4 PT 201 | 16 |
| 11 | 1570-P | WASHER, 5/16 USS 7/8 OD | 4 |

| ITEM 5 - MOTOR | | |
|--------------------------|-------------|--------------------------------|
| MODEL # | MOTOR # | DESCRIPTION |
| 1-305-1-50, 2-305-1-50 | 960-1-50-P | MOTOR, 1/2HP, 1PH, 48 RB 50HZ |
| 1-305-1-230, 2-305-1-230 | 960L-1-P | MOTOR, 1/4HP, 1PH, 48, RB |
| 1-305-3, 2-305-3 | 960-3-P | MOTOR, 1/4HP, 3PH, 48, RB |
| 1-305-3-50, 2-305-3-50 | 960-3-50-P | MOTOR, 1/4HP, 3PH RB TEFC 50HZ |
| 1-305-575, 2-305-575 | 228-575-P | MOTOR, 1/2HP, 3PH RB TEFC 575V |
| 1-305-E1, 2-305-E1 | 960-E1-P | MOTOR, 1/4HP, 1PH, 48 RB EXP |
| 1-305-E1-50, 2-305-E1-50 | 228-E1-50-P | MOTOR, 1/4HP, 1PH, RB 50HZ EXP |
| 1-305-E3, 2-305-E3 | 960-E3-P | MOTOR, 1/4HP, 3PH, 48 RB, EXP |
| 1-305-E3-50, 2-305-E3-50 | 290-E3-50-P | MOTOR, 1/2HP, 3PH 56C 50HZ EXP |
| 1-305-E575, 2-305E575 | 228-E575-P | MOTOR, 1/2HP, 3PH, RB 575V EXP |
| 1-305-A, 2-305-A | 228-A-P | MOTOR, AIR, RB, 201, 305 |